

Product Survey

REMARKS:

Each year 4 Product Surveys are published. From Product Survey 2000-1 onwards the contents of the second, the third and the fourth issue is an updating of the previous one; so e.g. Product Survey 2000-2 replaces 2000-1, Product Survey 2000-3 replaces Product Survey's 2000-1 and 2000-2 and the yearbook Product Survey 2000-4 replaces the Product Survey's 2000-1, 2000-2 and 2000-3.

CONTENTS	PAGE
Publication survey	PCS 93398
Remote control survey	PCS 93400
Tuner survey	PCS 93400
CRT survey	PCS 93400
Panel survey	PCS 93401
Software survey	PCS 93405
Model number survey	PCS 93418
Stylings with parts list	PCS 93432

Copyright 2000 Philips Consumer Electronics Eindhoven, The Netherlands. All rights reserved. No part of this publication may be reproduced, stored in a retrieval system or transmitted, in any form or by any means, electronic, mechanical, photocopying, or otherwise without the prior permission of Philips.

Safety regulations require that the set be restored to its original condition and that parts which are identical with those specified be used.

Les normes de sécurité exigent que l'appareil soit remis à l'état d'origine et que soient utilisées les pièces de rechange identiques à celles spécifiées.



Publication survey

SERVICE MANUAL	LANGUAGE	CODE NUMBER
SM A8.0A AA	GB	4822 727 21612
CM A8.0A BA	GB	3122 785 10048

SI A8.0A BA	GB	3122 785 40021
-------------	----	----------------

SERVICE MANUAL	LANGUAGE	CODE NUMBER
SM A8.0E AA	GB	4822 72721586
SM A8.0E AA	NL	4822 72721587
SM A8.0E AA	D	4822 72721588
SM A8.0E AA	F	4822 72721589
SM A8.0E AA	I	4822 72721591
SM A8.0E AA	E	4822 72721592

SERVICE INFORMATION	LANGUAGE	CODE NUMBER
SI A8.0E 99-01	GB	3122 785 40007

SERVICE MANUAL	LANGUAGE	CODE NUMBER
SM A10A	GB	3122 785 10580
SM A10A-AA Supplement (DVD)	GB	3122 78510990

SERVICE MANUAL	LANGUAGE	CODE NUMBER
SM A10PTV2.0 AA (AP version)	GB	3122 78510970

SERVICE MANUAL	LANGUAGE	CODE NUMBER
SM A10PTV2.0 AA (China version)	GB	3122 78511000

SERVICE MANUAL	LANGUAGE	CODE NUMBER
SM A10E AA	GB	3122 785 10430
SM A10E AA	NL	3122 785 10440
SM A10E AA	D	3122 785 10450
SM A10E AA	F	3122 785 10460
SM A10E AA	I	3122 785 10470
SM A10E AA	E	3122 785 10480
SM A10E AA Supplement	GB	3122 78510980

SERVICE MANUAL	LANGUAGE	CODE NUMBER
SM EM1A AA	GB	3122 785 10850

SERVICE MANUAL	LANGUAGE	CODE NUMBER
SM EM2E AA	GB	3122 785 10310
SM EM2E AA	NL	3122 785 10320
SM EM2E AA	D	3122 785 10330
SM EM2E AA	F	3122 785 10340
SM EM2E AA	I	3122 785 10350
SM EM2E AA	E	3122 785 10360

SERVICE INFORMATION	LANGUAGE	CODE NUMBER
SI EM2E AA 00.01	All	3122 785 40190

SERVICE MANUAL	LANGUAGE	CODE NUMBER
SM Receiver-box FTV1.9E AA	GB	3122 785 10160
SM Display-box FTV1.9E AA	GB	3122 785 10170
SM Receiver-box FTV1.9E AA	D	3122 785 10028
SM Display-box FTV1.9E AA	D	3122 785 10029
SM Receiver-box FTV1.9E AA	F	3122 785 10030
SM Display-box FTV1.9E AA	F	3122 785 10031

SERVICE INFORMATION	LANGUAGE	CODE NUMBER
SI Display-box FTV1.9 AA 00.02	GB	3122 785 40170
SI FTV1.9DE AA 00.01	GB	3122 785 40210
SI FTV1.9EA AA 00.01	GB	3122 785 40200
SI PD4200 N1M (monitor)	GB	3122 785 40150
SI TR4200 N1B/T1B (E-box)	GB	3122 785 40160

SERVICE MANUAL	LANGUAGE	CODE NUMBER
SM L6.1 AA	GB	4822 727 20901
SM L6.1 AA	NL	4822 727 20903
SM L6.1 AA	D	4822 727 20902
SM L6.1 AA	F	4822 727 20904
SM L6.1 AA	I	4822 727 20905
SM L6.1 AA	E	4822 727 20906

SERVICE INFORMATION	LANGUAGE	CODE NUMBER
SI L6.1 AA 97.02 (3W mono audio ampl.)	GB/NL/D/F/I/E	4822 727 21536

SERVICE MANUAL	LANGUAGE	CODE NUMBER
SM L6.2 AA	GB	4822 727 21529
SM L6.2 AA	NL	4822 727 21534
SM L6.2 AA	F	4822 727 21531
SM L6.2 AA	D	4822 727 21532
SM L6.2 AA	E	4822 727 21533
SM L6.2 AA	I	4822 727 21535

SERVICE INFORMATION	LANGUAGE	CODE NUMBER
SI L6.2 AA 97.01 (90° deflection modul)	GB/NL/D/F/I/E	4822 727 21553

SERVICE MANUAL	LANGUAGE	CODE NUMBER
SM L6.3 AA	GB	4822 727 21643
SM L6.3 AA	NL	4822 727 216 72
SM L6.3 AA	F	4822 727 216 73
SM L6.3 AA	D	4822 727 216 74
SM L6.3 AA	E	4822 727 216 75
SM L6.3 AA	I	4822 727 216 76
SM L6.3 COMET	GB	4822 727 21617

SERVICE MANUAL	LANGUAGE	CODE NUMBER
SM L7.1A AA	GB	4822 727 21497

SERVICE MANUAL	LANGUAGE	CODE NUMBER
SM L7.2A AA	GB	4822 727 21527

SERVICE INFORMATION	LANGUAGE	CODE NUMBER
SI L7.2A AA 98.01	GB	4822 727 21614

SERVICE MANUAL	LANGUAGE	CODE NUMBER
SM L7.3A AA	GB	4822 727 21566

SERVICE MANUAL	LANGUAGE	CODE NUMBER
SM L9.1A AA	GB	4822 727 21704

SERVICE INFORMATION	LANGUAGE	CODE NUMBER
SI L9.1A AA 00.01	GB	3122 785 40140

SERVICE MANUAL	LANGUAGE	CODE NUMBER
SM L9.1E AA	GB	4822 727 21677
SM L9.1E AA	NL	4822 727 21678
SM L9.1E AA	D	4822 727 21679
SM L9.1E AA	F	4822 727 21681
SM L9.1E AA	I	4822 727 21682
SM L9.1E AA	E	4822 727 21683
SM L9.1E AB	GB	3122 785 10720
SM L9.1E AB	NL	3122 785 10730
SM L9.1E AB	D	3122 785 10740
SM L9.1E AB	F	3122 785 10750
SM L9.1E AB	I	3122 785 10760
SM L9.1E AB	E	3122 785 10770

SERVICE INFORMATION	LANGUAGE	CODE NUMBER
SI L9.1E AA 00.01	All	3122 785 40130

SERVICE MANUAL	LANGUAGE	CODE NUMBER
SM L9.2A AA	GB	4822 727 21705

SERVICE MANUAL	LANGUAGE	CODE NUMBER
SM L9.2E AA	GB	4822 727 21684
SM L9.2E AA	NL	4822 727 21685
SM L9.2E AA	D	4822 727 21686
SM L9.2E AA	F	4822 727 21687
SM L9.2E AA	I	4822 727 21688
SM L9.2E AA	E	4822 727 21689

SERVICE INFORMATION	LANGUAGE	CODE NUMBER
SI L9.2E AA 00-01		3122 785 40100

SERVICE MANUAL	LANGUAGE	CODE NUMBER
SM L9.3A AA	GB	3122 785 10061

SERVICE MANUAL	LANGUAGE	CODE NUMBER
SM L9.3E AA	GB	3122 785 10370
SM L9.3E AA	NL	3122 785 10380
SM L9.3E AA	D	3122 785 10390
SM L9.3E AA	F	3122 785 10400
SM L9.3E AA	I	3122 785 10410
SM L9.3E AA	E	3122 785 10420

SERVICE MANUAL	LANGUAGE	CODE NUMBER
SM L9H.1A AA	GB	3122 785 10062

SERVICE MANUAL	LANGUAGE	CODE NUMBER
SM L9H.1E AA	GB	3122 785 10064
SM L9H.1E AA	D	3122 785 10190
SM L9H.1E AA	F	3122 785 10200
SM L9H.1E AA	I	3122 785 10210
SM L9H.1E AA	E	3122 785 10220

SERVICE MANUAL	LANGUAGE	CODE NUMBER
SM L9H.2A AA	GB	3122 785 10063

SERVICE MANUAL	LANGUAGE	CODE NUMBER
SM L9H.2E AA	GB	3122 785 10065
SM L9H.2E AA	D	3122 785 10240
SM L9H.2E AA	F	3122 785 10250
SM L9H.2E AA	I	3122 785 10260
SM L9H.2E AA	E	3122 785 10270

SERVICE MANUAL	LANGUAGE	CODE NUMBER
SM L9H.2E AA Supplement on card	GB	3122 785 10600
SM L9H.2E AA Supplement on card	D	3122 785 10610
SM L9H.2E AA Supplement on card	F	3122 785 10620
SM L9H.2E AA Supplement on card	E	3122 785 10640

SERVICE MANUAL	LANGUAGE	CODE NUMBER
SM MD1.1A AA	GB	4822 727 21523
SM MD1.1A BA	GB	4822 727 21663

SERVICE MANUAL	LANGUAGE	CODE NUMBER
SM MD1.2E AA Digital TV	GB	4822 727 21645
SM MD1.2E AA Supplement	GB	4822 727 21498
SM MD1.2E AA Supplement	NL	4822 727 21499
SM MD1.2E AA Supplement	D	4822 727 21501
SM MD1.2E AA Supplement	F	4822 727 21502
SM MD1.2E AA Supplement	I	4822 727 21503
SM MD1.2E AA Supplement	E	4822 727 21504

SERVICE INFORMATION	LANGUAGE	CODE NUMBER
SI MD2.1XE AA 98.01	GB	4822 727 21576
SI MD2.1XE AA 98.01	NL	4822 727 21577
SI MD2.1XE AA 98.01	D	4822 727 21578
SI MD2.1XE AA 98.01	F	4822 727 21579
SI MD2.1XE AA 98.01	I	4822 727 21581
SI MD2.1XE AA 98.01	E	4822 727 21582

SERVICE MANUAL	LANGUAGE	CODE NUMBER
SM MD2.2xE AA	GB	4822 727 21484
SM MD2.2xE AA	NL	4822 727 21485
SM MD2.2xE AA	D	4822 727 21486
SM MD2.2xE AA	F	4822 727 21487
SM MD2.2xE AA	I	4822 727 21488
SM MD2.2xE AA	E	4822 727 21489

SERVICE INFORMATION	LANGUAGE	CODE NUMBER
SI MD2.2xE AA 97.01	GB	4822 727 21537
SI MD2.2xE AA 97.01	NL	4822 727 21538
SI MD2.2xE AA 97.01	D	4822 727 21539
SI MD2.2xE AA 97.01	F	4822 727 21541
SI MD2.2xE AA 97.01	I	4822 727 21542
SI MD2.2xE AA 97.01	E	4822 727 21543
SI MD2.2XE AA 98.01	GB	4822 727 21583
SI MD2.2XE AA 98.01	NL	4822 727 21595
SI MD2.2XE AA 98.01	D	4822 727 21596
SI MD2.2XE AA 98.01	F	4822 727 21597
SI MD2.2XE AA 98.01	I	4822 727 21598
SI MD2.2XE AA 98.01	E	4822 727 21599

SERVICE MANUAL	LANGUAGE	CODE NUMBER
SM MD2.25E AA		4822 727 21611

SERVICE INFORMATION	LANGUAGE	CODE NUMBER
SI MD2.25 AA 98.01		4822 727 21671

SERVICE MANUAL	LANGUAGE	CODE NUMBER
SM MG1.1E AA	GB	3122 785 10150

SERVICE MANUAL	LANGUAGE	CODE NUMBER
SM MG2.1E AA	GB	4822 727 21622
SM MG2.1E AA	NL	4822 727 21623
SM MG2.1E AA	D	4822 727 21624
SM MG2.1E AA	F	4822 727 21625
SM MG2.1E AA	I	4822 727 21626
SM MG2.1E AA	E	4822 727 21627

SERVICE INFORMATION	LANGUAGE	CODE NUMBER
SI MG2.1E AA 99-01	GB	4822 727 21668
SI MG2.1E AA 99-01	NL	4822 727 21698
SI MG2.1E AA 99-01	D	4822 727 21701
SI MG2.1E AA 99-01	F	4822 727 21699
SI MG2.1E AA 99-01	I	4822 727 21702
SI MG2.1E AA 99-01	E	4822 727 21703
SI MG2.1E AA 99-02	GB	3122 785 40001
SI MG2.1E AA 99-02	NL	3122 785 40002
SI MG2.1E AA 99-02	D	3122 785 40003
SI MG2.1E AA 99-02	F	3122 785 40004
SI MG2.1E AA 99-02	I	3122 785 40005
SI MG2.1E AA 99-02	E	3122 785 40006
SI MG2.1E AA 99-03	-	3122 785 40017
SI MG2.1E AA 00.02	All	3122 785 40180
SI MG2.1E/MG3.1E 00.01	All	3122 785 40120

SERVICE MANUAL	LANGUAGE	CODE NUMBER
SM MG3.1A AA	GB	3122 785 10014

SERVICE MANUAL	LANGUAGE	CODE NUMBER
SM MG3.1E AA	GB	3122 785 10001
SM MG3.1E AA	NL	3122 785 10002
SM MG3.1E AA	D	3122 785 10003
SM MG3.1E AA	F	3122 785 10004
SM MG3.1E AA	I	31227 851 0005
SM MG3.1E AA	E	31227 851 0006

SERVICE INFORMATION	LANGUAGE	CODE NUMBER
SI MG3.1E 99-01	All	3122 785 40018
SI MG3.1E 00-01	All	3122 785 40090
SI MG2.1E/MG3.1E 00.01	All	3122 785 40120

SERVICE MANUAL	LANGUAGE	CODE NUMBER
SM MG4.1E AA	GB	3122 785 10650

SERVICE MANUAL	LANGUAGE	CODE NUMBER
SM MG5.1E AA	GB	3122 785 10016
SM MG5.1E AA	NL	3122 785 10017
SM MG5.1E AA	D	3122 785 10018
SM MG5.1E AA	F	3122 785 10019
SM MG5.1E AA	I	3122 785 10021
SM MG5.1E AA	E	3122 785 10022

SERVICE MANUAL	LANGUAGE	CODE NUMBER
SM MG7.1E AA	GB	3122 785 10780
SM MG7.1E AA	NL	3122 785 10790
SM MG7.1E AA	D	3122 785 10800
SM MG7.1E AA	F	3122 785 10810
SM MG7.1E AA	I	3122 785 10820
SM MG7.1E AA	E	3122 785 10830

Remote control survey

RC TYPE	CODE NUMBER
RC0205/00	4822 218 10681
RC0311/00	4822 219 10098
RC0333/01	3139 148 55140
RC2008/01	4822 219 10695
RC2009/01	4822 219 10578
RC2012/01	3128 147 11811
RC2020/01	3104 207 09540
RC2020/01B	3104 207 09541
RC2030/01	3104 207 09551
RC2031/01B	3104 207 09561
RC2033/01B	3104 207 09581
RC2035/01	3104 207 09601
RC2038/01B	3128 147 12041
RC2511/01	3139 228 84131
RC2525/01	4822 219 10705
RC2532/01	3139 228 82541
RC2533/01	3139 228 82551
RC2541/00	3104 207 08352
RC2541/01	4822 219 10527
RC2543/01	3128 147 12071
RC2563/01	3139 228 84141
RC2576/01	3139 228 86171
RC2592/00	3104 207 09520
RC2592/01	3104 207 09530
RC2592/01B	3104 207 09531
RC282401/01	4822 219 10767
RC282601/01	3139 228 81411
RC282603/01	3139 228 85281
RC282903/01	4822 219 10769
RC282904/01	3139 228 85941
RC283501/01	4822 219 10766
RC283504/01	3139 228 85171
RC283509/01	3139 228 85291
RC283510/01	3139 228 85951
RC2882/01	3139 228 81971
RC2884/00	3139 228 83221
RC8106/01	3139 207 06971
RC8108/01	4822 219 10586
RC8109/01	4822 219 10585
RC8201/01	4822 218 21248
RC8205/01	4822 218 21284
RC8205/21	4822 219 10289
RC8207/01	4822 219 10604
RC8215/01	3128 147 11381
RCL9ED	4822 219 10768
RCTS 1006 pronto	3104 207 10321
RG4172BK(T374A)	3135 017 02641
SBHV00020A	3139 128 76011
SBHV00022A	3104 327 00001
SBJJ00003A	3139 128 75701

Tuner survey

TUNER TYPE	CODE NUMBER
A34AGT11X91	4822 131 11357
A41EAM40X20	9301 835 40301
A51EAL155X47	4822 131 11105
FQ916DMF	4822 210 10634
FQ916ME	4822 210 10636
FS936E	4822 210 10468
FV916MG/PH	4822 210 10654
TED9X007	4822 210 10852
TEDE9-004A	4822 210 10853
TEDE9-031A	2422 542 90072
TEDE9X002A	2422 542 90066
TEDE9X003A	2422 542 90065
TEDH9	3139 178 50161
TEDH9X001A	4822 210 10854
TUN V+U	4822 210 10848

UR1316/AI-3	3139 147 16441
UV1316/A I U-2 L9L	4822 210 10841
UV1316/A I U-2 L9S	4822 210 10848
UV1316/A I U-3	3139 147 17311
UV1316/A I-2	4822 210 10841
UV1316/A I-3	3139 147 16611
UV1316/A P-3	3139 147 16621
UV1316 AI-2/I	3139 178 02631
UV915E/MK3	4822 210 10448

CRT survey

CRT TYPE	CODE NUMBER
510UFB22	4822 131 11299
A34AGT11X91	4822 131 11357
A34AGT13X95	9322 137 68682
A34EAC01X024	4822 131 11367
A34JLL91X83	9322 146 12682
A41EAM40X20	9301 835 40301
A48ECR143X18	9322 136 38682
A51EAL155X47	4822 131 11105
A51EAL135X15	4822 131 11087
A51EAL155X47	4822 131 11105
A51EER133X72	9322 145 31682
A51EHW135X47	9301 843 10329
A51KPX10X	4822 131 11104
A51KXR95X	4822 131 20581
A51KXR95X01	9322 152 60682
A51KXR95X99	9322 131 77682
A51LSK955X	9322 156 24682
A51LSK955X01	9322 153 82682
A59EAK071X11	4822 131 11184
A59EAK071X44	9301 735 10306
A59EAK552X11	4822 131 11184
A59EEJ71X	4822 131 11368
A59EEJ71X11	4822 131 11366
A59EMZ43X07	9322 147 09682
A66EAK071X01	4822 131 11216
A66EAK071X44	9301 732 90303
A66EAK552X11	4822 131 20559
A66ECF50X05	9322 147 08682
A66EMZ43X07	9322 157 16682
A68AJB82X01	9301 787 70418
A68ESF002X111	4822 131 11298
A68ESF002X143	4822 131 11311
A68ESF004X111	9301 811 40314
A68QCP891X001	9322 142 09682
A68QCP891X005	9322 142 10682
A68QCP891X100	8204 000 73341
A68QCP891X101	9322 147 78682
A68QCP891X102	8204 000 73431
A68QCP891X500	9322 160 14682
A80ECK272X56	9301 795 00489
FPF42C10660UD-02	4822 135 00193
FPF42C10660UE-11	9322 147 49682
M79LQM185X01	9322 156 41682
M79LQM185X02	9322 156 41682
W66ECK001X14	4822 131 11345
W66ERF031X044	9301 828 00306
W66ESF002X044	4822 131 20704
W66ESF002X44	4822 131 20704
W76EGV023X315	9322 148 59682
W76ERF031X044	9301 827 70301
W76ESF031X14	4822 131 11215
W76ESF031X44	4822 131 20705
W86LPX955X	8204 000 73361

Panel survey

MG5.1E		Modelnumber		46P P9501/05	46P P9501/12	46P P9501/58	55P P9501/05	55P P9501/12	55P P9501/58
Pos.	Board type	Service code	Diagram letter						
	POWER SUPPLY PANEL	9965 000 01987		X	X	X	X	X	X
	HIGH VOLTAGE SCAN PANEL	9965 000 01994		X	X	X	X	X	X
	MAINS SWITCH PANEL	9965 000 01992		X	X	X	X	X	X
	CONVERGENCE PANEL	9965 000 01991		X	X	X	X	X	X
	SCAVEM PANEL	9965 000 01996		X	X	X	X	X	X
	CRT GREEN PANEL	9965 000 01998		X	X	X	X	X	X
	CRT RED PANEL	9965 000 01997		X	X	X	X	X	X
	CRT BLUE PANEL	9965 000 02088		X	X	X	X	X	X
	AUDIO AMPLIFIER	9965 000 01986		X	X	X	X	X	X
	REAR SWITCH PANEL	9965 000 01995		X	X	X	X	X	X
	FRONT JACK PANEL	9965 000 01990		X	X	X	X	X	X
	INTERFACE PANEL	9965 000 01993		X	X	X	X	X	X
	CUSTOMER CONTROL PANEL	9965 000 01985		X	X	X	X	X	X
	SSP PTV EU	3104 328 03620		X	X	X	X	X	X

SOFTWARE SURVEY										REPLACED BY	
CHASSIS	FAMILY	PRODUCTION CODE	UP TYPE/VERSION	IDENT	SERVICE CODE	HOTEL MODE ?	REMARKS TYPICAL FOR THIS SOFTWARE	IDENT	SERVICE CODE		
AA5H.1 AA	NON SYSTEM	PM00		V1.0	4822 209 13134	In installation menu		V1.4	4822 209 13134		
AA5H.1 AA	NON SYSTEM	-		V1.4	4822 209 13134	In installation menu		V1.5	4822 209 13654		
AA5H.1 AA	NON SYSTEM	-		V1.5	4822 209 13654	In installation menu	Replaces versions V1.0 .. V1.4	V1.6	4822 209 15648		
AA5H.1 AA	NON SYSTEM	-		V1.6	4822 209 15648	In installation menu					
AA5H.1 AA	SYSTEM	-		V2.2	4822 209 13653	In installation menu					
AA5H.1 AA	SYSTEM	-		V2.4	4822 209 13653	In installation menu	Replaces versions V2.0 ..V2.3				
AA5H.1 AA	SYSTEM	-		V2.5	4822 209 13653	In installation menu					
AA5H.1 AA on card		DEMO 32K		DEMO 32K	4822 209 15466	In installation menu	EPROM ITEM 7009 on SCCB board				
AA5H.1 AA on card		DEMO 1.01		DEMO 1.01	4822 209 16436	In installation menu	EPROM ITEM 7009 on SCCB board				
AA5H.1 AA on card		SW5:30		SW5:30	4822 209 16819	In installation menu	EPROM ITEM 7009 on SCCB board				
AA5H.1 AA on card		SW5:31		SW5:31	4822 209 17501	In installation menu	EPROM ITEM 7009 on SCCB board				
A7H.1 AA	NON SYSTEM	-		V1.6	4822 209 15648	In installation menu					
A7H.1 AA	SYSTEM	-		V2.6 (OTP)	4822 209 16322	In installation menu			4822 209 17272		
A7H.1 AA	SYSTEM	-		V2.6 (mask)	4822 209 17272	In installation menu					
A8.0A AA	Pal/Multi, TXT	From week 9904 onwards		A8OPT1-2.6	4822 209 17199		Languages: English, Malay, Chinese. Sets: /69, 75, 79				
A8.0A AA	Pal/Multi, TXT	From week 9902 onwards		A8OPNT1-2.9	4822 209 17489		Languages: English, Malay, Chinese. Sets: /57, /93				
A8.0A AA	Pal/Multi, TXT	From week 9902 onwards		A8OPN3-2.6	4822 209 17218		Languages: English, Arabic. Sets: /56				
A8.0A AA	NTSC, 2CS			A8ONG1-2.5	4822 209 17333		Languages: English, Hangul. Sets: /61				
A8.0A AA	NTSC, BTSC			A8ONB1-2.4	4822 209 17332		Languages: English, Taiwanese. Sets: /71				
A8.0A AA	Pal/Multi, TXT	For set produced wk 0001 onwards, SV02 and above		A8 2AP3-0.3	9352 641 20112		Languages: English, Malay, Chinese. Sets: /69, 75, 79. This software is NOT compatible with previous chassis due to hardware change				
A8.0A AA	Pal/Multi	For set produced wk 0001 onwards, SV02 and above		A8 1AP5-0.4	9352 640 35112		Languages: English, Malay, Chinese. Sets: /57, /93. This software is NOT compatible with previous chassis due to changes on hardware				
A8.0A AA	Pal/Multi, TXT	For set produced wk 0001 onwards, SV02 and above		A8 1AP6-0.3	9352 640 58112		Languages: English, Arabic. Sets: /56. This software is NOT compatible with previous chassis due to changes on hardware				
A8.0A AA	NTSC, BTSC	For set produced wk 0001 onwards, SV02 and above		A8 4AP3-0.4	9352 640 97112		Languages: English, Taiwanese. Sets: /771. This software is NOT compatible with previous chassis due to changes on hardware				
A8.0A AA	NTSC, 2CS	For set produced wk 0011 onwards, BZ02 and above		A8 3AP3-0.1	9352 667 50112		Languages: English, Hangul. Sets: /61. This software is NOT compatible with previous chassis due to changes on hardware				
A8.0A BA	Pal/Multi, TXT			A8 2AP2-0.4	9352 641 53112		Languages: English, Malay, Chinese. Sets: 29PT6231/69, 79				
A8.0A BA	Pal/Multi, TXT			A8 2AP2-0.6	9352 658 26112		1) Teletext mode for AV-source. 2) Improvement on DW mode.				
A8.0A BA	Pal/Multi, TXT			A8 1AP4-0.5	9352 641 10112		Languages: English, Malay, Chinese. Sets: 29PT6231/57				
A8.0A BA	NTSC, 2CS			A8 3AP2-0.6	9352 644 99112		Languages: English, Hangul. Sets: 29PT6031/61				
A8.0A BA	NTSC, BTSC			A8 4AP2-0.6	9352 639 46112		Languages: English, Taiwanese. Sets: 29PT6031/71				
A8.0E AA	W.Eur, main controller			A80EP1-2.2	-	No	not for 16/9 (WSSB EXT1/2 problem, mono/stereo problem, no DST on Secam L)	A80EP1-3.2	4822 209 17408		
A8.0E AA	W.Eur, main controller			A80EP1-3.1	-	No	not for 4/3	A80EP1-3.2	4822 209 17408		
A8.0E AA	W.Eur, main controller			A80EP1-3.2	4822 209 17408	No	for 4/3 & 16/9	A80EE1-1.2	3111 250 54411		
A8.0E AA	W. Eur, TXT controller			SAAS5262/149 (5262-3-24)	-	No	no Greek TXT, ACI problem (Belgium), WSSB problem (off air)	SAAS5262/249	4822 209 17234		
A8.0E AA	W. Eur, TXT controller			SAAS5262/236 (5262-8-3)	-	No	no Spanish/Portugues	SAAS5262/249	4822 209 17234		
A8.0E AA	W. Eur, TXT controller			SAAS5262/249 (5262-8-24)	4822 209 17234	No					
A8.0E AA	E.Eur, main controller			A80EP2-2.0	-	No	not for 16/9 (WSSB EXT1/2 problem, mono/stereo problem, no DST on Secam L)	A80EP2-2.7	9352 617 53112		
A8.0E AA	E.Eur, main controller			A80EP2-2.2	-	No	not for 4/3, Nicam problem, Polish clock problem	A80EP2-2.7	9352 617 53112		
A8.0E AA	E.Eur, main controller			A80EP2-2.7	9352 617 53112	No	for 4/3 & 16/9				
A8.0E AA	E. Eur, TXT controller			SAAS5262/141 (5262-3-9)	-	No	WSSB problem (off air), no French, Turkish, Hungarian TXT	SAAS5262/235	4822 209 17233		
A8.0E AA	E. Eur, TXT controller			SAAS5262/235 (5262-8-9)	4822 209 17233	No					
A8.0E AA	W.Eur, main controller			A80EE1-1.2	3111 250 54411	No					
A8.0L AA	Latam			A80LA1-1.9	-		Sets: /77				
A10A AA	China, non-TXT	From WK026 and higher	SAAS5645	A10AP1-1.0	9965 000 07276	No		A10AP1-1.4	9965 000 07276		
A10A AA	China, non-TXT	From WK029 and higher	SAAS5645	A10AP1-1.1	9965 000 07276	No		A10AP1-1.4	9965 000 07276		
A10A AA	China, non-TXT	From WK030 and higher	SAAS5645	A10AP1-1.3	9965 000 07276	No		A10AP1-1.4	9965 000 07276		
A10A AA	China, non-TXT	From WK034 and higher	SAAS5645	A10AP1-1.4	9965 000 07276	No					

SOFTWARE SURVEY									
CHASSIS	FAMILY	PRODUCTION CODE	UP TYPE/VERSION	IDENT	SERVICE CODE	HOTEL MODE ?	REMARKS TYPICAL FOR THIS SOFTWARE	IDENT	REPLACED BY SERVICE CODE
A10A AA	AP PAL/Multi (57, /69, /73, /79), 10pg TXT	From Wk034 and higher	SAA5667	A10AS1-1.0	9965 000 07277	No		A10AS1-1.1	9965 000 07277
A10A AA	AP PAL/Multi (57, /69, /73, /79), 10pg TXT	From Wk040 and higher	SAA5667	A10AS1-1.1	9966 000 07277	No		-	-
A10A AA	Middle East (56), 10pg TXT	From Wk036 and higher	SAA5667	A10AS2-1.0	9965 000 07281	No		A10AS2-1.1	9965 000 07281
A10A AA	Middle East (56), 10pg TXT	From Wk040 and higher	SAA5667	A10AS2-1.1	9965 000 07281	No		-	-
A10A AA	AP PAL/Multi (57, /69, /79), 10pg TXT	From Wk033 and higher	SAA5667	A10AT1-1.0	9965 000 07282	No		A10AT1-1.2	9965 000 07282
A10A AA	AP PAL/Multi (57, /69, /79), 10pg TXT	From Wk034 and higher	SAA5667	A10AT1-1.1	9965 000 07282	No		A10AT1-1.2	9965 000 07282
A10A AA	AP PAL/Multi (57, /69, /79), 10pg TXT	From Wk044 and higher	SAA5667	A10AT1-1.2	9965 000 07282	No		-	-
A10A AA	Middle East PAL/Multi (56), 10pg TXT	From Wk037 and higher	SAA5667	A10AT2-1.0	9965 000 07283	No		A10AT2-1.1	9965 000 07283
A10A AA	Middle East PAL/Multi (56), 10pg TXT	From Wk040 and higher	SAA5667	A10AT2-1.1	9965 000 07283	No		-	-
A10A AA	AP-NTSC (71, /97) non-TXT, CC	From Wk037 and higher	SAA5645	A10AN1-1.1	9965 000 07284	No		-	-
A10A AA	AP-NTSC (61), non-TXT, CC	From Wk037 and higher	SAA5645	A10AN2-1.1	9965 000 07285	No		-	-
A10A AA	AP PAL/Multi (57, /69, /79), 10pg TXT, DVD-comb	From Wk041 and higher	SAA5667	A10ADT1-1.0	9965 000 07286	No		A10ADT1-1.1	9965 000 07286
A10A AA	AP PAL/Multi (57, /69, /79), 10pg TXT, DVD-comb	From Wk044 and higher	SAA5667	A10ADT1-1.1	9965 000 07286	No		-	-
A10E AA	W.Europe, 10 page TXT	Production start	SAA5565/M3	A10ET1-1.0	n.a.	No		A10ET1-1.4	3111 250 54511
A10E AA	W.Europe, 10 page TXT	Production	SAA5565/M3	A10ET1-1.1	9352.677 14557	No		A10ET1-1.4	3111 250 54511
A10E AA	W.Europe, 10 page TXT	From Wk 032	SAA5565/M3	A10ET1-1.2	n.a.	No		A10ET1-1.4	3111 250 54511
A10E AA	W.Europe, 10 page TXT	From Wk 034	SAA5565/M3	A10ET1-1.3	9352 681 58557	No		A10ET1-1.4	3111 250 54511
A10E AA	W.Europe, 10 page TXT	from Wk 036	SAA5565/M3	A10ET1-1.4	3111 250 54511	No		-	-
A10E AA	W.Europe, 100 page TXT	Production start	SAA5567	A10EP1-1.1	n.a.	No		A10EP1-1.3	3111 250 54501
A10E AA	W.Europe, 100 page TXT	from Wk 036	SAA5567	A10EP1-1.3	3111 250 54501	No		-	-
A10E AA	E.Europe, 100 page TXT	Prod. start from Wk 040	SAA5567	A10EP2-1.0	9965 000 07287	No		-	-
A10E AA Dolby	W.Europe, 100 page TXT	Prod. Start from Wk 039	SAA5567	A10ED2-1.0	9965 000 07288	No		-	-
EM1A	Asian Pacific	Production start	SAA5647/HL/M1	EM1TA1.0_02631	9965 000 07279	No		-	-
EM2E	Europe	Production start	SAA5647/HL/M1	EM2E11.0_02211	9965 000 07280	No		EM2E11.6_02521	9965 000 07280
EM2E	Europe	From wk 0014 and higher	SAA5647/HL/M1	EM2E11.1_02331	9965 000 07280	No	EPG problem solved, wrong surround-mode indication solved, blank & mute at start-up, MSP_option string adapted for introduction of DBE.	EM2E11.6_02521	9965 000 07280
EM2E	Europe	From wk 0015 and higher	SAA5647/HL/M1	EM2E11.2_02371	9965 000 07280	No	Acoustical settings FL12-cabinet, solution for error with default objects.	EM2E11.6_02521	9965 000 07280
EM2E	Europe	From wk 0016 and higher	SAA5647/HL/M1	EM2E11.3_02381	9965 000 07280	No	Standby problem solved when NVM has no supply voltage, EPG Dual Screen shifted too much upward.	EM2E11.6_02521	9965 000 07280
EM2E	Europe	From wk 0021 and higher	SAA5647/HL/M1	EM2E11.4_02391	9965 000 07280	No	Solution for unpredictable start-up behaviour after STBY, last status preset not recalled, several EPG/TXT problems.	EM2E11.6_02521	9965 000 07280
EM2E	Europe	From wk 0025 and higher	SAA5647/HL/M1	EM2E11.5_02431	9965 000 07280	No	TXt hor. centering adapted, oper. hours corrected, E/M-width default value changed to 0. Subtitle offset on/off added at Autoformat.	-	-
EM2E	Europe	From wk 0034 and higher	SAA5647/HL/M1	EM2E11.6_02521	9965 000 07280	No	First 100 sets	V_3104_317_00970	4822 900 11192
FTV1.5E	Europe	From week 9744 and higher		3104 317 00680	-	No	Start production	V_3104_317_00990	4822 900 11192
FTV1.5E	Europe	From week 9748 and higher		3104 317 00990	-	No		V_3104_317_01150	4822 900 11192
FTV1.5E	Europe	From week 9819 and higher		3104 317 01150	-	No	Full spec	V_3104_317_01200	4822 900 11192
FTV1.5E	Europe	From week 9822 and higher		3104 317 01200	-	No	MD2.2 solution for avoiding strange teletext characters after power-up	V_3104_317_01260	4822 900 11192
FTV1.5E	Europe	From week 9826 and higher		3104 317 01260	-	No	Two digit start-up at first favourite now correct, correct restore of aspect ratio after multi-pop on a PAL+ channel, DNR of a preset no longer reset by multi-pop	V_3104_317_01510	4822 900 11192

SOFTWARE SURVEY									
CHASSIS	FAMILY	PRODUCTION CODE	UP TYPE/VERSION	IDENT	SERVICE CODE	HOTEL MODE ?	REMARKS TYPICAL FOR THIS SOFTWARE	REPLACED BY	SERVICE CODE
								IDENT	
L6.1 AA	No TXT	9642		L6NOTXT-2.0	4822 209 13085	Yes	Only 3 keys styling		
L6.1 AA	No TXT	9726		L6NOTXT-2.1	4822 209 16933	Yes	Option 3/4 keys styling		
L6.1 and L6.2 AA	1P TXT Mono Europe	9625	SAA5290ZP/039	L6TX TMEU-1.0				L6TMOEU-1.1	4822 209 15954
L6.1 and L6.2 AA	1P TXT Mono Europe	9729	SAA5290ZP/072	L6TX TMOEU-1.1	4822 209 14646	Yes	Option 3/4 keys styling	L6TMOEU-1.1	4822 209 15954
L6.1 and L6.2 AA	1P TXT Mono Europe	9840	SAA5290PS/126	L6TMOEU-1.2	4822 209 15954	Yes	Option 3/4 keys styling		
L6.1 and L6.2 AA	1P TXT Mono Europe	9840	SAA5290PS/126	L6TMOEU-1.2	4822 209 17409	Yes	New M5A technology		
L6.1 and L6.2 AA	1P TXT FLOF Mono Europe	9805	SAA5290PS/093	L6M1FE-1.0	4822 209 16832	Yes	New M5A technology	L6M1FE-1.1	4822 209 16832
L6.1 and L6.2 AA	1P TXT FLOF Mono Europe	9815	SAA5298PS/113	L6M1FE-1.1	4822 209 16832	Yes	New M5A technology		
L6.1 and L6.2 AA	1P TXT Stereo 2CS	9642	SAA5290ZP/057	L6TX TSTE-1.0	4822 209 15426	No	Only 3 keys styling		
L6.1 and L6.2 AA	1P TXT Nicam EUR	9642	SAA5290ZP/055	L6TX TNIC-1.1			Only for 3 keys styling		
L6.1 and L6.2 AA	1P TXT Nicam EUR	9729	SAA5290ZP/075	L6TNICEU-1.1	4822 209 15955	No	Option 3/4 keys styling	L6TNICEU-1.1	4822 209 15955
L6.1 and L6.2 AA	1P TXT Nicam EUR	9840	SAA5290PS/118	L6TNICEU-1.2	not known		Option 3/4 keys styling		
L6.1 and L6.2 AA	1P TXT Mono Greek/Turk	9634	SAA5290ZP/050	L6TX TMEU-1.0	4822 209 15962	Yes	Only for 3 keys styling	L6TMOGT-1.1	4822 209 15962
L6.1 and L6.2 AA	1P TXT Mono Greek/Turk	9729	SAA5290ZP/074	L6MOGT-1.1			Option for 3/4 keys styling		
L6.1 and L6.2 AA	1P TXT Nicam Greek/Turk	9720	SAA5290ZP/070	L6TNICGT-1.1	4822 209 15953	No	Only for 3 keys styling		
L6.1 and L6.2 AA	1P TXT Nicam Greek/Turk	9729	SAA5290ZP/076	L6TNICGT-1.2	4822 209 15956	No	Option for 3/4 keys styling		
L6.1 and L6.2 AA	1P TXT Mono Cyrillic	9722	SAA5290ZP/040	L6TX TMEU-1.0	4822 209 15694	Yes	Only for 3 key styling	L6TMOCY-1.1	4822 209 15961
L6.1 and L6.2 AA	1P TXT Mono Cyrillic	9729	SAA5290ZP/073	L6TMOCY-1.1	4822 209 15961	Yes	Option for 3/4 keys styling		
L6.3 AA	10P TXT Europe Nicam	9819	SAA5290ZP/095	L6N10E-1.0	4822 209 16928	No	2 scarfs		
L6.3 AA	10P TXT Europe Nicam	9835	SAA5290ZP/217	L6N10E-1.1	4822 209 17219	No	ESD and searching speed Impr.		
L6.3 AA	10P TXT Europe Nicam		SAA5290ZP/219	L6N10E-2.0	9352 621 61112	No	2 scarfs multi-system (OEM)		
L7.1 A	VST 1P TXT			SAA5290ZP	4822 209 14646			SAA5290ZP/068	4822 209 15699
L7.1 A	Pal / multi TXT			SAA5290ZP/062				SAA5290ZP/068	4822 209 15699
L7.1 A	PAL Non TXT VST			SAA5290ZP/068	4822 209 15699	Yes			
L7.1 A	PLL NON TXT NTSC			P083C055BBP/173	4822 209 15562	Yes			
L7.1 A	PLL NON TXT NTSC			P083C055BBP/177	4822 209 15563	Yes		P83C055BBP/191	9352 610 79112
L7.1 A	PLL N. TXT LATAM			P83C055BBP/191	4822 209 17344	Yes			
L7.1 A	PLL NTSC			P083C055BBP/179	4822 209 15664	Yes		P083C055BBP/188	4822 209 16168
L7.1 A	VST-N TXT CH OSD			P083C055BBP/188	4822 209 16168	Yes			
L7.1 A	VST-N TXT IND			P083C055BBP/193	9352 612 46112	Yes			
L7.1 A	VST-N TXT IND			P083C055BBP/308	9352 627 88112	Yes			
L7.1 A	VST-1P TXT RUS			SAA5290ZP/077	4822 209 15838	Yes			
L7.2 A	PAL/MULTI TXT			SAA5297PS/054	4822 209 16173	See Manual L7,2E AA Chapter 5			
L7.2 A	PAL/MULTI NO TXT			P83C568BDR/011	4822 209 16178	See Manual L7,2E AA Chapter 5			
L7.2 A	LATAM				4822 209 16715	Yes			
L7.2 A	NTSC			P83C568BDR/017	4822 209 16255	Yes			
L7.2 A	PLL-NON TXT A/P ITV			P83C568BDR/013	9352 498 60112	Yes		P83C568BDR/028	9352 627 46112
L7.2 A	PLL (LAT.1)CC A/P			P83C70AAR/039	9352 624 58112	Yes			
L7.2 A	PLL 10P TXT A/P (ITV)			SAA5297PS/239	9352 629 63112	Yes			
L7.2 E	EUROPE WEST			SAA5297PS/044	4822 209 16325	See Manual L7,2E AA Chapter 5			
L7.2 E	CYRILIC			SAA5297PS/048	4822 209 16333	See Manual L7,2E AA Chapter 5			
L7.2 E	GREEK/TURK			SAA5297PS/057	4822 209 16332	See Manual L7,2E AA Chapter 5			
L7.2 E	EUROPE EAST			SAA5297PS/060	4822 209 16435	See Manual L7,2E AA Chapter 5			
L7.2 E	EUROPE WEST			SAA5297PS/082	4822 209 17181	See Manual L7,2E AA Chapter 5			

SOFTWARE SURVEY

CHASSIS	FAMILY	PRODUCTION CODE	UP TYPE/VERSION	IDENT	SERVICE CODE	HOTEL MODE ?	REMARKS TYPICAL FOR THIS SOFTWARE	REPLACED BY	
								IDENT	SERVICE CODE
L7.2 E	CYRILIC			SAA5297PS/061	4822 209 17334	See Manual L7.2E AA Chapter 5			
L7.2 E	EUROPE WEST			SAA5297PS/206	4822 209 17222	See Manual L7.2E AA Chapter 5			
L7.2 E	EUROPE EAST			SAA5297PS/214	4822 209 17368	See Manual L7.2E AA Chapter 5			
L7.2 E	GREEK/TURK			SAA5297PS/215	4822 209 17368	See Manual L7.2E AA Chapter 5			
L7.3A	PLL ITV NON TXT			P87C766BDR/01	4822 209 15831	YES			
L7.3A	VST N TXT 25/29 A/P			P83C366BDR/016	4822 209 16459	YES			
L7.3A	PLL NON TXT NTSC			P87C770AAR/40	4822 209 16308	YES			
L7.3A	PLL NON TXT /61R			P83C366BDR/023	9352 617 26112	YES			
L7.3A	VST NON TXT 25/29/56A			SAA5297PS/209	9352 617 77812	YES			
L7.3A	VST NON TXT 25/29/74R			P83C366BDR/025	4822 209 17343	YES			
L7.3A	PLL-CC LATAM			P83C570AAR/038	9352 618 03112	YES			
L7.3A	VST NON TXT /57			P83C566BDR/029	9352 627 96112	YES			
L7.3A	PLL ITV TXT A/P			SAA5297PS/239	9352 627 96312	YES			
L9.1E /L9.2E	West Europe, Mono No Text	Wk908.5 or higher	SAA5542/M2/028	L90EM1-1.0	9352 634 45112	No	Languages: West Europe	L90EM1-1.1	9352 642 43112
L9.1E /L9.2E	West Europe, Mono No Text	Wk931.5 or higher	SAA5542/M2/075	L90EM1-1.1	9352 642 43112	No	Languages: West Europe	L90EM1-1.2	9352 653 09112
L9.1E /L9.2E	West Europe, Mono No Text	Wk938.5 or higher	SAA5542/M2/120	L90EM1-1.2	9352 653 09112	No	Languages: West Europe	L90EM1-1.2	9352 655 21112
L9.1E /L9.2E	West Europe, Mono No Text	Wk939.5 or higher	SAA5542/M4/1120	L90EM1-1.2	9352 655 21112	No	Languages: West Europe	L90EM1-1.4	9352 672 50112
L9.1E /L9.2E	West Europe, Mono No Text	Wk007.3 or higher	SAA5542/M4/186	L90EM1-1.4	9352 672 50112	No	Languages: West Europe	N.A.	N.A.
L9.1E /L9.2E	West Europe, Mono/Stereo 5p-txt	Wk908.5 or higher	SAA5060/M2/023	L90ET1-1.1	9352 634 40112	No	Languages: West Europe	L90ET1-1.2	9352 640 13112
L9.1E /L9.2E	West Europe, Mono/Stereo 5p-txt	Wk924.3 or higher	SAA5060/M2/057	L90ET1-1.2	9352 640 13112	No	Languages: West Europe	L90ET1-1.4	9352 645 57112
L9.1E /L9.2E	West Europe, Mono/Stereo 5p-txt	Wk937.1 or higher	SAA5060/M2/095	L90ET1-1.4	9352 645 57112	No	Languages: West Europe	L90ET1-1.4	9352 653 77112
L9.1E /L9.2E	West Europe, Mono/Stereo 5p-txt	Wk939.5 or higher	SAA5060/M3/1095	L90ET1-1.4	9352 653 77112	No	Languages: West Europe	L90ET1-1.6	9352 672 88112
L9.1E /L9.2E	West Europe, Mono/Stereo 5p-txt	Wk008.1 or higher	SAA5060/M3/188	L90ET1-1.6	9352 672 88112	No	Languages: West Europe	N.A.	N.A.
L9.1E /L9.2E	West Europe, Mono/Stereo 10p-txt	Wk902.5 or higher	SAA5564/M2/015	L90EF1-1.2	9352 631 78112	No	Languages: East Europe	L90EF1-1.3	9352 634 42112
L9.1E /L9.2E	West Europe, Mono/Stereo 10p-txt	Wk908.5 or higher	SAA5564/M2/025	L90EF1-1.3	9352 634 42112	No	Languages: East Europe	L90EF1-1.5	9352 639 79112
L9.1E /L9.2E	West Europe, Mono/Stereo 10p-txt	Wk923.2 or higher	SAA5564/M2/092	L90EF1-1.5	9352 639 79112	No	Languages: East Europe	L90EF1-1.7	9352 645 56112
L9.1E /L9.2E	West Europe, Mono/Stereo 10p-txt	Wk934.5 or higher	SAA5564/M2/094	L90EF1-1.7	9352 645 56112	No	Languages: West Europe	L90EF1-1.7	9352 653 78112
L9.1E /L9.2E	West Europe, Mono/Stereo 10p-txt	Wk939.5 or higher	SAA5564/M3/1094	L90EF1-1.7	9352 653 78112	No	Languages: West Europe	L90 EU31 6.21	9965 000 05400
L9.1E /L9.2E	West Europe, Mono/Stereo 10p-txt	Wk948.4 or higher	SAA5564/M3/1094	L90 EU31 6.21	9965 000 05400	No	Languages: West Europe	L90EF1-1.9	9352 672 22112
L9.1E /L9.2E	West Europe, Mono/Stereo 10p-txt	Wk006.5 or higher	SAA5564/M3/181	L90EF1-1.9	9352 672 22112	No	Languages: West Europe	N.A.	N.A.
L9.1E /L9.2E	East Europe, Mono No Text	Wk908.5 or higher	SAA5542/M2/027	L90EM2-1.0	9352 634 44112	No	Languages: West Europe	L90EM2-1.1	9352 642 42112
L9.1E /L9.2E	East Europe, Mono No Text	Wk931.5 or higher	SAA5542/M2/074	L90EM2-1.1	9352 642 42112	No	Languages: West Europe	L90EM2-1.1	9352 653 68112
L9.1E /L9.2E	East Europe, Mono No Text	Wk938.5 or higher	SAA5542/M4/1074	L90EM2-1.1	9352 653 68112	No	Languages: West Europe	L90EM2-1.3	9352 672 49112
L9.1E /L9.2E	East Europe, Mono No Text	Wk007.3 or higher	SAA5542/M4/185	L90EM2-1.3	9352 672 49112	No	Languages: West Europe	N.A.	N.A.
L9.1E /L9.2E	East Europe, Mono/Stereo 5p-txt	Wk908.5 or higher	SAA5560/M2/024	L90ET2-1.0	9352 634 41112	No	Languages: East Europe	L90ET2-1.2	9352 639 96112
L9.1E /L9.2E	East Europe, Mono/Stereo 5p-txt	Wk923.5 or higher	SAA5560/M2/056	L90ET2-1.2	9352 639 96112	No	Languages: East Europe	L90ET2-1.2	9352 653 79112
L9.1E /L9.2E	East Europe, Mono/Stereo 5p-txt	Wk939.5 or higher	SAA5560/M3/1056	L90ET2-1.2	9352 653 79112	No	Languages: East Europe	L90ET2-1.4	9352 672 87112
L9.1E /L9.2E	East Europe, Mono/Stereo 5p-txt	Wk008.1 or higher	SAA5560/M3/187	L90ET2-1.4	9352 672 87112	No	Languages: East Europe	N.A.	N.A.
L9.1E /L9.2E	East Europe, Mono/Stereo 10p-txt	Wk902.5 or higher	SAA5564/M2/016	L90EF2-1.0	4822 209 17468	No	Languages: West Europe	L90EF2-1.1	9352 634 43112
L9.1E /L9.2E	East Europe, Mono/Stereo 10p-txt	Wk908.5 or higher	SAA5564/M2/026	L90EF2-1.1	9352 634 43112	No	Languages: West Europe	L90EF2-1.3	9352 639 95112

Software survey

SOFTWARE SURVEY									
CHASSIS	FAMILY	PRODUCTION CODE	UP TYPE/VERSION	IDENT	SERVICE CODE	HOTEL MODE ?	REMARKS TYPICAL FOR THIS SOFTWARE	IDENT	REPLACED BY SERVICE CODE
L9.1E / L9.2E	East Europe, Mono/Stereo 10p- txt	Wk923.5 or higher	SAA5664/M2/065	L90EF2-1.3	9352 639 95112	No	Languages: West Europe	L90EF2-1.3	9352 645 10112
L9.1E / L9.2E	East Europe, Mono/Stereo 10p- txt	Wk936.5 or higher	SAA5664/M3/1055	L90EF2-1.3	9352 645 10112	No	Languages: West Europe	L90EF2-1.5	9352 672 23112
L9.1E / L9.2E	East Europe, Mono/Stereo 10p- txt	Wk006.5 or higher	SAA5664/M3/182	L90EF2-1.5	9352 672 23112	No	Languages: West Europe	N.A.	N.A.
L9.1A / L9.2A	Non-Text (English, Malay, S. Chinese)	Wk904.1 or higher	SAA5642PS/M2/017	L90AN1-1.0	4822 209 17538	No		L90AN1-1.1	9352 640 98112
L9.1A / L9.2A	Non-Text (English, Malay, S. Chinese)	Wk927.2 or higher	SAA5642PS/M2/060	L90AN1-1.1	9352 640 98112	No		L90AN1-1.1	9352 645 12112
L9.1A / L9.2A	Non-Text (English, Malay, S. Chinese)	Wk936.5 or higher	SAA5642PS/M2/1060	L90AN1-1.1	9352 645 12112	No		L90AN1-1.3	9352 669 24112
L9.1A / L9.2A	Non-Text (English, Malay, S. Chinese)	Wk951.4 or higher	SAA5642PS/M4/161	L90AN1-1.3	9353 669 24112	No		N.A.	N.A.
L9.1A / L9.2A	Non-Text (English, Arabic)	Wk928.5 or higher	SAA5642PS/M2/065	L90AN2-1.0	9352 641 68112	No		L90AN2-1.0	9352 653 69112
L9.1A / L9.2A	Non-Text (English, Arabic)	Wk939.5 or higher	SAA5642PS/M4/1065	L90AN2-1.0	9352 653 69112	No		L90AN2-1.2	9352 673 23112
L9.1A / L9.2A	Non-Text (English, Arabic)	Wk008.5 or higher	SAA5642PS/M4/193	L90AN2-1.2	9352 673 23112	No		N.A.	N.A.
L9.1A / L9.2A	Non-Text (English, Thai, Vietnamese)	Wk915.5 or higher	SAA5642PS/M2/042	L90AN3-1.0	9352 637 12112	No		L90AN3-1.1	9352 642 25112
L9.1A / L9.2A	Non-Text (English, Thai, Vietnamese)	Wk930.5 or higher	SAA5642PS/M2/072	L90AN3-1.1	9352 642 25112	No		L90AN3-1.1	9352 653 71112
L9.1A / L9.2A	Non-Text (English, Thai, Vietnamese)	Wk939.5 or higher	SAA5642PS/M4/1072	L90AN3-1.1	9352 653 71112	No		L90AN3-1.2	9352 664 04112
L9.1A / L9.2A	Non-Text (English, Thai, Vietnamese)	Wk944.1 or higher	SAA5642PS/M4/136	L90AN3-1.2	9352 664 04112	No		L90AN3-1.3	9352 674 90112
L9.1A / L9.2A	Non-Text (English, Thai, Vietnamese)	Wk011.5 or higher	SAA5642PS/M4/204	L90AN3-1.3	9352 674 90112	No		L90AN3-1.4	9352 676 20112
L9.1A / L9.2A	Non-Text (English, Thai, Vietnamese)	Wk015.1 or higher	SAA5642PS/M4/213	L90AN3-1.4	9352 676 20112	No		N.A.	N.A.
L9.1A / L9.2A	Non-Text (English, Hindi)	Wk914.3 or higher	SAA5642PS/M2/040	L90AN4-1.1	9352 636 65112	No		L90AN4-1.1	9352 645 14112
L9.1A / L9.2A	Non-Text (English, Hindi)	Wk936.5 or higher	SAA5642PS/M2/1040	L90AN4-1.1	9352 645 14112	No		L90AN4-1.2	9352 670 07112
L9.1A / L9.2A	Non-Text (English, Hindi)	Wk952.4 or higher	SAA5642PS/M4/164	L90AN4-1.2	9352 670 07112	No		N.A.	N.A.
L9.1A / L9.2A	Text 10 page (English, Malay, S. Chinese)	Wk904.1 or higher	SAA5663P/M2/018	L90AT1-1.0	4822 209 17537	No		L90AT1-1.1	9352 641 78112
L9.1A / L9.2A	Text 10 page (English, Malay, S. Chinese)	Wk929.3 or higher	SAA5663P/M2/068	L90AT1-1.1	9352 641 78112	No		L90AT1-1.1	9352 645 11112
L9.1A / L9.2A	Text 10 page (English, Malay, S. Chinese)	Wk936.5 or higher	SAA5663P/M3/1068	L90AT1-1.1	9352 645 11112	No		L90AT1-1.3	9352 673 21112

Software survey

SOFTWARE SURVEY									
CHASSIS	FAMILY	PRODUCTION CODE	UP TYPE/VERSION	IDENT	SERVICE CODE	HOTEL MODE ?	REMARKS TYPICAL FOR THIS SOFTWARE	IDENT	REPLACED BY SERVICE CODE
L9.1A / L9.2A	Text 10 page (English, Malay, S. Chinese)	Wk008.5 or higher	SAA5563PS/M3/190	L90AT1-1.3	9352 673 21112	No		N.A.	N.A.
L9.1A / L9.2A	Text 10 page(English, Arabic)	Wk912.5 or higher	SAA5563PS/M2/037	L90AT2-1.1	9352 636 28112	No		L90AT2-1.1	9352 638 43112
L9.1A / L9.2A	Text 10 page(English, Arabic)	Wk919.5 or higher	SAA5563PS/M2/049	L90AT2-1.1	9352 638 43112	No		L90AT2-1.2	9352 640 16112
L9.1A / L9.2A	Text 10 page(English, Arabic)	Wk925.1 or higher	SAA5563PS/M2/058	L90AT2-1.2	9352 640 16112	No		L90AT2-1.2	9352 653 80112
L9.1A / L9.2A	Text 10 page(English, Arabic)	Wk939.5 or higher	SAA5563PS/M3/1058	L90AT2-1.2	9352 653 80112	No		L90AT2-1.4	9352 673 22112
L9.1A / L9.2A	Text 10 page(English, Arabic)	Wk008.5 or higher	SAA5563PS/M3/192	L90AT2-1.4	9352 673 22112	No		N.A.	N.A.
L9.1A / L9.2A	NTSC - Taiwan & Philippines (English, Tagalog, T. Chinese)	Wk913.4 or higher	SAA5543PS/M2/038	L90AC1-1.0	9352 636 39112	No		L90AC1-1.1	9352 639 94112
L9.1A / L9.2A	NTSC - Taiwan & Philippines (English, Tagalog, T. Chinese)	Wk923.5 or higher	SAA5543PS/M2/054	L90AC1-1.1	9352 639 94112	No		L90AC1-1.2	9352 653 72112
L9.1A / L9.2A	NTSC - Taiwan & Philippines (English, Tagalog, T. Chinese)	Wk939.5 or higher	SAA5543PS/M4/1054	L90AC1-1.2	9352 653 72112	No		L90AC1-1.4	9352 674 89112
L9.1A / L9.2A	NTSC - Taiwan & Philippines (English, Tagalog, T. Chinese)	Wk011.5 or higher	SAA5543PS/M4/203	L90AC1-1.4	9352 674 89112	No		N.A.	N.A.
L9.1L / L9.2L	Wk906.3 or higher	SAA5543PS/M2/019		L90LS1-1.0	4822 209 17542		CC Mono/Stereo (English, Portuguese, Spanish)	L90LS1-1.1	9352 642 32112
L9.1L / L9.2L	Wk931.1 or higher	SAA5543PS/M2/073		L90LS1-1.1	9352 642 32112		CC Mono/Stereo (English, Portuguese, Spanish)	L90LS1-1.2	9352 653 75112
L9.1L / L9.2L	Wk939.5 or higher	SAA5543PS/M4/1073		L90LS1-1.2	9352 653 75112		CC Mono/Stereo (English, Portuguese, Spanish)	L90LS1-1.3	9352 672 35112
L9.1L / L9.2L	Wk007.3 or higher	SAA5543PS/M4/183		L90LS1-1.3	9352 672 35112		CC Mono/Stereo (English, Portuguese, Spanish)	N.A.	N.A.
L9.1E AA	System	week 0016 or higher	SAA5560PS/M3	L9HES-1.2	3119 100 50841	Yes	OTP	L9HES-1.3	3119 100 50871
L9.1E AA	System	week 0016 or higher	SAA5560PS/M3	L9HES-1.3	3119 100 50871	Yes	OTP	L9HES-1.5	3119 100 51001
L9.1E AA	System	week 0040 or higher	SAA5560PS/M3	L9HES-1.5	3119 100 51001	Yes	OTP Canal + adaption		
L9.1A/L9H.2A	R, Y and Z versions PAL		SAA5533PS/M4	163 (version 2.5)	9352 669 51112				
L9H.2E AA	System		SAA5560PS/M3	L9HES-1.2	3119 100 50841	Yes	OTP	L9HES-1.3	3119 100 50871
L9H.2E AA	System	week 200016 or higher	SAA5560PS/M3	L9HES-1.3	3119 100 50871	Yes	OTP	L9HES-1.5	3119 100 51001
L9H.2E AA	System	week 0040 or higher	SAA5560PS/M3	L9HES-1.5	3119 100 51001	Yes	OTP Canal + adaption		
L9H.2E AA	Basic (no tx)		SAA5543PS/M4	L9HEB-1.2	3119 100 50851	Yes	OTP	L9HEB-1.4	3119 100 50901
L9H.2E AA	Basic (no tx)	week 200016 or higher	SAA5543PS/M4	L9HEB-1.4	3119 100 50901	Yes	OTP	L9HEB-1.5	3119 100 50981
L9H.2E AA	Basic (no tx)	week 0040 or higher	SAA5543PS/M4	L9HEB-1.5	3119 100 50981	Yes	OTP Canal + adaption		
L9H.2E AA	Basic + (tx clock, radio)	week 200016 or higher	SAA5563PS/M3	L9HEP-1.2	3119 100 50861	Yes	OTP	L9HEP-1.4.1	3119 100 50911
L9H.2E AA	Basic + (tx clock, radio)	week 0040 or higher	SAA5563PS/M3	L9HEP-1.4.1	3119 100 50911	Yes	OTP	L9HEP-1.5	3119 100 50991
L9H.2E AA	Basic + (tx clock, radio)	week 0040 or higher	SAA5533PS/M4	L9HEP-1.5	3119 100 50991	Yes	OTP Canal + adaption		
L9H.2E AA	On-Card		SAA5560PS/M3	L9HES-1.2	3119 100 50841	Yes	OTP	L9HES-1.3	3119 100 50871
L9H.2E AA	On-Card	week 200016 or higher	SAA5560PS/M3	L9HES-1.3	3119 100 50871	Yes	OTP	L9HES-1.5	3119 100 51001
L9H.2E AA	On-Card	week 0040 or higher	SAA5560PS/M3	L9HES-1.5	3119 100 51001	Yes	OTP Canal + adaption		
MD1.0A	4/3 Pal/Multi	wk9642 or higher		version 4.5 / 3353	4822 900 10968	No		version 4.6	4822 900 11073
MD1.0A	4/3 Pal/Multi			version 4.6 / 3448	4822 900 11073	No	Also for China without PIP	no later version	-
MD1.0A	4/3 NTSC Korea			version 4.3 / 3380	4822 900 10967	No		no later version	-
MD1.0A	4/3 NTSC Taiwan			version 4.5	4822 900 11097	No		no later version	-
MD1.0A	4/3 VGA Pal/Multi			version 4.2	4822 900 10958	No		version 4.3	4822 900 11079
MD1.0A	4/3 VGA Pal/Multi			version 4.3 / 3430	4822 900 11079	No		no later version	-
MD1.0A	4/3 VGA NTSC Korea			version 4.2	4822 900 11098	No		no later version	-
MD1.0A	4/3 China PIP			version 4.1 / 3412	4822 900 11078	No		version 4.2	4822 900 11233
MD1.0A	4/3 China PIP			version 4.2 / 3480	4822 900 11233	No	For China without PIP use 4x3 Pal/Multi V4.6 (4822 900 11073)	no later version	-
MD1.0A	4/3 Latam			version 4.5 / 3442	4822 900 11101	No	Solves local dooming in China	no later version	-
MD1.0A	16/9 Pal/Multi			version 4.2	4822 900 10966	No		version 4.5	4822 900 11077
MD1.0A	16/9 Pal/Multi			version 4.5	4822 900 11077	No		no later version	-
MD1.0A	16/9 NTSC Korea			version 4.2	4822 900 10969	No		version 4.6	4822 900 11096

SOFTWARE SURVEY									
CHASSIS	FAMILY	PRODUCTION CODE	UP TYPE/VERSION	IDENT	SERVICE CODE	HOTEL MODE ?	REMARKS TYPICAL FOR THIS SOFTWARE	IDENT	REPLACED BY SERVICE CODE
MD1.0A	16/9 NTSC Korea			version 4.6	4822 900 11096	No		no later version	-
MD1.1A	Pal/Multi			M11PM1-1.0	4822 900 11136	No		M11PM1-1.1	4822 900 11256
MD1.1A	Pal/Multi			M11PM1-1.1	4822 900 11256	No	New: Nicanam DK; Changed: smart setting values, SVHS Y/C delay, fixed video control TXT, demute VOL_UP, no demute VOL_DOWN	no later version	-
MD1.1A BA	Pal/Multi			M11PM1-1.4	4822 900 11313	No		no later version	-
MD1.1A BA	Taiwan			M11TRT-1.1	4822 900 11314	No		no later version	-
MD1.1E	Satellite			version 10	4822 209 13041	No	For use in MD1.1E only	version 11	4822 900 11175
MD1.1E & MD1.2E	Satellite			version 11	4822 900 11175	No	For use in MD1.1E (option M2=N) and MD1.2E (option M2=Y)	no later version	-
MD1.2 E	64K up (TMP87M38N)			M12CO1-3.2	4822 900 11082	No	ACI, ATS, languages GB+FI+SW+DK+NH+NL+D+H (only 4:3)	M12CO1-5.2	4822 900 11082
MD1.2 E	64K up (TMP87M38N)			M12CO2-3.2	4822 900 11082	No	ACI, ATS, languages GB+ES+P+GR+HU+PL+CZ+RU+Slowak (only 4:3)	M12CO2-5.2	4822 900 11083
MD1.2 E	64K up			M12CO1-4.0	4822 900 11256	No	ACI, ATS, languages GB+FI+SW+DK+NH+NL+D+H; Blinking LED (only 4:3)	M12CO1-5.2	4822 900 11082
MD1.2 E	64K up			M12CO2-4.0	4822 900 11256	No	ACI, ATS, languages GB+ES+P+GR+HU+PL+CZ+RU+Slowak; Blinking LED (only 4:3)	M12CO2-5.2	4822 900 11083
MD1.2 E	64K up			M12CO1-5.3	4822 900 11237	No	ACI, ATS, languages GB+FI+SW+DK+NH+NL+D+H	M12CO1-5.4	4822 900 11237
MD1.2 E	64K up			M12CO2-5.3	4822 900 11237	No	GB+FI+SW+DK+NH+NL+D+H; ACI fixed for Switzerland	M12CO2-5.4	4822 900 11238
MD1.2 E	64K up			M12CO3-5.3	4822 900 11225	No	GB+FI+SW+DK+NH+NL+D+H	M12CO3-5.4	4822 900 11239
MD1.2 E	64K up			M12CO1-5.4	4822 900 11237	No	Solves AutoScan on VCR P+P-; GB+FI+SW+DK+NH+NL+D+H	no later version	-
MD1.2 E	64K up			M12CO2-5.4	4822 900 11238	No	Solves AutoScan on VCR P+P-; GB+ES+P+GR+HU+PL+CZ+RU+Slowak	no later version	-
MD1.2 E	64K up			M12CO3-5.4	4822 900 11239	No	Solves AutoScan on VCR P+P-; GB+FI+SW+DK+NH+NL+D+H	no later version	-
MD1.2 E	Dolby			M12D01-1.0	4822 900 10986	No	ACI, ATS, WSSB; languages GB+FI+NL+D+H (only 16:9)	M12D01-1.1	4822 900 11084
MD1.2 E	Dolby			M12D02-1.0	4822 900 11084	No	ACI, ATS, WSSB; languages FI+SW+DK+NH+ES (only 16:9)	M12D02-1.1	4822 900 11152
MD1.2 E	Dolby			M12D01-1.1	4822 900 11152	No	ACI, ATS, WSSB; languages GB+FI+NL+D+H (4:3 & 16:9)	M12D01-1.6	4822 900 11241
MD1.2 E	Dolby			M12D02-1.1	4822 900 11152	No	ACI, ATS, WSSB; languages FI+SW+DK+NH+ES (4:3 & 16:9)	M12D02-1.4	4822 900 11242
MD1.2 E	Dolby			M12D01-1.6	4822 900 11241	No	Solves HALL mode problem & Swiss ACI; GB+FI+NL+D+H	no later version	-
MD1.2 E	Dolby			M12D02-1.4	4822 900 11242	No	Solves HALL mode problem & Swiss ACI; FI+SW+DK+NH+ES	no later version	-
MD1.2 E	MD1.1/MD1.2 with TMP87M36(N-)			M12BA1-4.0	4822 900 10988	No	ACI, no ATS; languages F+D+NL+H	no later version	-
MD1.2 E	MD1.1/MD1.2 with TMP87M36(N-)			M12BA2-4.0	4822 900 10984	No	ACI, no ATS; languages SW+DK+NH+FI	no later version	-
MD1.2 E	MD1.1/MD1.2 with TMP87M36(N-)			M12BA3-4.0	4822 900 10985	No	ACI, no ATS; languages GB+ES+P+GR	no later version	-
MD1.2 E	MD1.1/MD1.2 with TMP87M36(N-)			M12BA5-4.0	4822 900 10986	No	ACI, ATS; languages GB+D	no later version	-
MD1.2 E	MD1.1/MD1.2 with TMP87M36(N-)			M12BA6-4.0	4822 900 10987	No	ACI, no ATS; languages GB+HU+PL+CZ+RU+Slowak	no later version	-
MD2.11 E	-> remark: set in Service Alignment Mode "M2=N" for use in MD1.1E (4:3), "M2=Y" for use in MD1.2E								
MD2.11 E	Week 9614 and higher			3104 317 00141	-	No	Software for fighter sets, new sound detection (faster) and blocked TXT is solved	V_3104 317 00200	4822 900 10771
MD2.11 E	Week 9627 and higher			3104 317 00340	-	No	IVT3M4 problem solved	V_3104 317 00540	4822 900 10771
MD2.11 E	Week 9646 and higher			3104 317 00650	-	No	Sound problems solved	V_3104 317 00650	4822 900 10771
MD2.11 E	Week 9713 and higher			4822 900 10771	-	No	Wrong characters on screen in TXT mode solved	-	-
MD2.11 E	Week 9627 and higher			3104 317 00330	-	No	PIP feature added	V_3104 317 00460	4822 900 10857
MD2.11 E	Week 9642 and higher			3104 317 00460	-	No	Sound problems solved	V_3104 317 00530	4822 900 10857
MD2.11 E	Week 9703 and higher			3104 317 00580	-	No	Adaptions for 'BL' characters	V_3104 317 00580	4822 900 10857
MD2.11 E	Week 9713 and higher			3104 317 00660	-	No	Wrong characters on screen in TXT mode solved	V_3104 317 00930	4822 900 10857
MD2.11 E	Service solution			3104 317 00930	-	No	Recognition of TOP TXT menu for Poland	-	-
MD2.12 E	Week 9608 and 9609			3104 317 00031	-	No	Only used for first 1000 sets (not for France)	V_3104 317 00140	4822 900 10771
MD2.12 E	Week 9610 up to and including 9613			3104 317 00151	-	No	Only used for France, problem with canat+ decoder solved	V_3104 317 00140	4822 900 10771
MD2.12 E	Week 9614 and higher			3104 317 00141	-	No	Software for fighter sets, new sound detection (faster) and blocked TXT is solved	V_3104 317 00200	4822 900 10771
MD2.12 E	not used in production			3104 317 00200	-	No	Suitable for WS sets, dolby sets, TDA9143	V_3104 317 00340	4822 900 10771
MD2.12 E	Week 9627 and higher			3104 317 00340	-	No	IVT3M4 problem solved	V_3104 317 00540	4822 900 10771
MD2.12 E	Week 9646 and higher			3104 317 00650	-	No	Sound problems solved	V_3104 317 00650	4822 900 10771
MD2.12 E	Week 9713 and higher			3104 317 00650	-	No	Wrong characters on screen in TXT mode solved	-	-
MD2.12 E	Week 9627 and higher			3104 317 00330	-	No	PIP feature added	V_3104 317 00460	4822 900 10857
MD2.12 E	Week 9642 and higher			3104 317 00460	-	No	Sound problems solved	V_3104 317 00530	4822 900 10857
MD2.12 E	Week 9642 and higher			3104 317 00930	-	No	Recognition of TOP TXT menu for Poland	-	-

SOFTWARE SURVEY									
CHASSIS	FAMILY	PRODUCTION CODE	UP TYPE/VERSION	IDENT	SERVICE CODE	HOTEL MODE ?	REMARKS TYPICAL FOR THIS SOFTWARE	REPLACED BY	SERVICE CODE
MD2.12 E	for -f58 sets	Week 9703 and higher		3104 317 00580	-	No	Adaptions for 'BL' characters	IDENT	4822 900 10857
MD2.12 E	for -f58 sets	Week 9713 and higher		3104 317 00660	-	No	Wrong characters on screen in TXT mode solved		3104 317 00660
MD2.12 E	for -f58 sets	Service solution		3104 317 00930	4822 900 10857	No	Recognition of TOP TXT menu for Poland		3104 317 00930
MD2.2XE	Non EPG sets	Week 9712 and higher		3104 317 00640	-	No	Only used for 29PT8303 and 29PT8303		4822 900 11102
MD2.2XE	Non EPG sets	Week 9715 and higher		NOLLETM000701	-	No	Not used in xPT8303 sets		4822 900 11102
MD2.2XE	Non EPG sets	Week 9717 and higher		NOLLETM083901	-	No	Not used in xPT8303 sets		4822 900 11102
MD2.2XE	Non EPG sets	Week 9719 and higher		3104 317 00730	-	No	VGA integrated in this version (option switch)		4822 900 11102
MD2.2XE	Non EPG sets	Week 9737 and higher		3104 317 00860	-	No	change, for Widescreen sets the Autoformat can be switched off by the customer and the Dolby initialisation problem is solved.		4822 900 11102
MD2.2XE	Non EPG sets	Not used in production		3104 317 01030	-	No	See table 2		4822 900 11102
MD2.2XE	Non EPG sets	Not used in production		3104 317 01680	4822 900 11102	No			-
MD2.2XE	for -f58 sets	Week 9710 and higher		3104 317 00590	-	No			4822 900 11066
MD2.2XE	for -f58 sets	Week 9716 and higher		SWINT1638/01	-	No	Only used in some 29PT9113/58 sets		4822 900 11066
MD2.2XE	for -f58 sets	Week 9719 and higher		3104 317 00690	-	No			4822 900 11066
MD2.2XE	for -f58 sets	Week 9728 and higher		3104 317 00760	-	No	Only used for 29PW9763/58		4822 900 11066
MD2.2XE	for -f58 sets	Week 9737 and higher		3104 317 00870	-	No	VGA integrated in this version (option switch), new OSD behaviour at program change, for Widescreen sets the Autoformat can be switched off by the customer, Poland		4822 900 11066
MD2.2XE	for -f58 sets	Not used in production		3104 317 01040	-	No	See table 2		4822 900 11066
MD2.2XE	for -f58 sets	Not used in production		3104 317 01690	4822 900 11066	No			-
MD2.2XE	EPG sets	Week 9715 and higher		SWINT2021/01	-	No	Only used for pilot production of 32PW9713		4822 900 11058
MD2.2XE	EPG sets	Week 9715 and higher		SWINT1022/01	-	No	Used for production start of 32PW9713		4822 900 11058
MD2.2XE	EPG sets	Week 9715 and higher		SWINT0732/01	-	No	Protection problem with French and Greek reminder messages solved.		4822 900 11058
MD2.2XE	EPG sets	Week 9717 and higher		SWINT0149/01	-	No	Startup problem with corrupted flashram solved and picture width solution for Text-DualScreen.		4822 900 11058
MD2.2XE	EPG sets	Week 9724 and higher		3104 317 00710	-	No	Only used in 32PW9763		4822 900 11058
MD2.2XE	EPG sets	Week 9724 and higher		3104 317 00740	-	No			4822 900 11058
MD2.2XE	EPG sets	Week 9727 and higher		3104 317 00750	-	No	Only used in VGA sets, spontaneous standby while watching EPG is solved		4822 900 11058
MD2.2XE	EPG sets	Week 9737 and higher		3104 317 00880	-	No	VGA integrated in this version (option switch), new OSD behaviour at program change, for Widescreen sets the Autoformat can be switched off by the customer and the Dolby initialisation problem is solved.		4822 900 11058
MD2.2XE	EPG sets	Week 9737 and higher		3104 317 00890	-	No			4822 900 11058
MD2.2XE	EPG sets	Week 9747 and higher		3104 317 00850	-	No	See table 1		4822 900 11058
MD2.2XE	EPG sets	Week 9804 and higher		3104 317 01050	-	No	Improved EPG performance, Dolby initialisation problem solved.		4822 900 11058
MD2.2XE	EPG sets	Not used in production		3104 317 01020	-	No	See table 2		4822 900 11058
MD2.2XE	EPG sets	Not used in production		3104 317 01670	4822 900 11058	No			-
MD2.25E	Non EPG sets	Start production		3104 317 01030	-	No	See table 2		4822 900 11279
MD2.25E	Non EPG sets	Week 9828 and higher		3104 317 01240	4822 900 11279	No	See table 3		4822 900 11102
MD2.25E	Non EPG sets	Not used in production		3104 317 01680	4822 900 11102	No			-
MD2.25E	for -f58 sets	Start production		3104 317 01040	4822 900 11281	No	See table 2		4822 900 11281
MD2.25E	for -f58 sets	Week 9828 and higher		3104 317 01250	4822 900 11281	No	See table 3		4822 900 11066
MD2.25E	for -f58 sets	Not used in production		3104 317 01690	4822 900 11066	No			-
MD2.25E	EPG sets	Start production		3104 317 01230	4822 900 11278	No	See table 2		4822 900 11278
MD2.25E	EPG sets	Not used in production		3104 317 01260	4822 900 11278	No			4822 900 11278
MD2.25E	EPG sets	Week 9828 and higher		3104 317 01360	4822 900 11278	No	See table 3		4822 900 11058
MD2.25E	EPG sets	Not used in production		3104 317 01670	4822 900 11058	No			-
MG1.1E	CL4	Start production		MG11E1.1.0_02101	3104 317 42101	No	Solved: Operation hours not correct, NVM : Prevent writing of Vslope = 0, System		3104 317 42201
MG1.1E	CL4	Week 9850 and higher		MG11E1.1_02201	3104 317 42201	No	French changes to West Europe after search, change noise reduction parameters for auto TV, Nr. of favourites can be 1001.s.o.99		-
MG1.1E	CL4			MG11E1.1.2_02271	3104 317 42271	No	Solved: Fixed AFC value is used when SECAM L is detected, right status detection with VCR, EPG works properly with Nextview 1.3, new volume table for Europe EDRIC-sets		-
MG2.1E		Start production		MG21E1.1.0_01471	-	No			4822 900 11275
MG2.1E		Week 9839 and higher		MG21E1.1.0_01501	-	No	M6 problem solved, paneltest problem solved, secam correction with YCR introduced, service stepwise control, seconds problem in dock extraction solved		4822 900 11275
MG2.1E	CL1	Week 9844 and higher		MG21E1.1.0_01561	-	No	See table 4		4822 900 11275
MG2.1E	CL1	Week 9851 and higher		MG21E1.1.3_01611	-	No	See table 5		4822 900 11275
MG2.1E	CL1	Week 9915 and higher		MG21E1.1.5_01861	-	No	See table 6		4822 900 11275
MG2.1E	CL1	Week 9915 and higher		MG21E1.1.7_01941	-	No	Stereo detection problem and blocking of teletext on some transmitters solved		4822 900 11275

SOFTWARE SURVEY										
CHASSIS	FAMILY	PRODUCTION CODE	UP TYPE/VERSION	IDENT	SERVICE CODE	HOTEL MODE ?	REMARKS TYPICAL FOR THIS SOFTWARE	REPLACED BY	IDENT	SERVICE CODE
MG2.1E	CL1	Week 9950 and higher, only for service		MG21E11.8_02191	-	No	Half TXT pages on ITV, Operation hours not correct, problem with Belgian subtitles, CNI code of ZDF not recognised, NVM : Prevent writing of Vslope = 0 and suddenly switching preset is solved	MG21E11.9_02401	4822 900 11275	4822 900 11275
MG2.1E	CL1	Week 0018 and higher, only for service		MG21E11.9_02401	4822 900 11275	No				
MG2.1E	CL1 China (29DS100/93)	Start production		MG21A11.0_01571	-	No		MG21A11.6_01901	4822 900 11324	4822 900 11324
MG2.1E	CL2A	Start production		MG21E11.0_01591	-	No				
MG2.1E	CL2A	Week 9913 and higher		MG21E12.0_01821	-	No				
MG2.1E	CL2A	Week 9914 and higher		MG21E12.2_01851	-	No				
MG2.1E	CL2A	Week 9915 and higher		MG21E12.3_01871	-	No				
MG2.1E	CL2A	Week 9920 and higher		MG21E12.3_01931	-	No	Solution for: EPG standby Solution for loud volume at startup, noise (together with FBX 01911, TXT acquisition, stereo detection)	MG21E12.4_01961	4822 900 11326	4822 900 11326
MG2.1E	CL2A	Week 9922 and higher		MG21E12.4_01961	-	No	Solved: Blocking of teletext on some transmitters	MG21E12.5_02181	4822 900 11326	4822 900 11326
MG2.1E	CL2A	Week 9950 and higher, only for service		MG21E12.5_02181	-	No	Half TXT pages on ITV, Operation hours not correct, problem with Belgian subtitles, CNI code of ZDF not recognised, NVM : Prevent writing of Vslope = 0 and Suddenly switching preset is solved			
MG2.1E	CL2A	Week 0018 and higher, only for service		MG21E12.6_02411	4822 900 11326	No				
MG2.1E	FBX CL1+2A	Start production		R3_5V1B (01751)	-	No		R3_6V1B (01791)	4822 900 11276	4822 900 11276
MG2.1E	FBX CL1+2A	Week 9912 and higher		R3_6V1B (01791)	-	No		R3_8V1B (01831)	4822 900 11276	4822 900 11276
MG2.1E	FBX CL1+2A	Week 9914 and higher		R3_8V1B (01831)	-	No		R3_10V1B (01881)	4822 900 11276	4822 900 11276
MG2.1E	FBX CL1+2A	Week 9915 and higher		R3_10V1B (01881)	-	No	Horizontal shift problem solved	R3_12V1B (01911)	4822 900 11276	4822 900 11276
MG2.1E	FBX CL1+2A	Week 9920 and higher		R3_12V1B (01911)	4822 900 11327	No	Can only be used with SAA4978H/V1 or SAA4978H/V102	R3_15V2A (02131)	4822 900 11276	4822 900 11276
MG2.1E	CL1+2A	AG/QG10 and higher		MG21E13.0_01991	3104 317 41991	No	Production start	MG21E13.1_02091	3104 317 02091	3104 317 02091
MG2.1E	CL1+2A	AG/QG10 and higher, week 9944 and higher		MG21E13.1_02091	3104 317 02091	No	HOP N2C compatible, EPG improvement, Mute on headphone with blue mute when starting up on noise, no automatic subpage is solved, no subtitle when gain out of TXT is solved	MG21E13.2_02171	3104 317 42171	3104 317 42171
MG2.1E	CL1+2A	AG/QG10 and higher, week 0010 and higher		MG21E13.2_02171	3104 317 42171	No	Prevent writing of V-slope=0, operating hours are correct after 128 hours, fixed AFC value is used when SECAM L is detected, right status detection with VCR, EPG works properly with Nextview 1.3, new volume table for Europe EDRIC-sets	MG21E13.3_02311	3104 317 42311	3104 317 42311
MG2.1E	CL1+2A	AG/QG11 and higher, week 0020 and higher		MG21E13.3_02311	3104 317 42311	No	Option codes change due to Acoustic system (cabinets). Solutions for: small black bars in TXT, for EPG 2C3, freeze overruled after blackbar detection, hangups in level 2.5 TXT	MG21E13.5_02591	3104 317 42591	3104 317 42591
MG2.1E	CL1+2A	Not used in production		MG21E13.4_02321	3104 317 42321	No	Not used in production			
MG2.1E	CL1+2A	AG/QG11 and higher, week 0041 and higher		MG21E13.5_02591	3104 317 42591	No	Solved: 3SA Ls o. 3SAT in EPG screen, timer problem New Zealand, change of take-over point between MSP and EDRIC from +11 to 0dB, centration of TXT, IF AFC adjustment for SECAM L, service entry with normal remote possible, subtitle offset on/off possible at auto format			
MG2.1E	FBX CL1+2A	FBX: AG/QG10 and higher		R3_13V2A (01920)	3104 317 41921	No				
MG2.1E	FBX CL1+2A	FBX: AG/QG10 and higher		R3_15V2A (02130)	3104 317 42131	No				
MG2.1E	FBX CL1+2A			T3_17V2A	9965 000 06621	No	Solution for picture instability with digital decoders and DVD	R_M_1	3104 317 42741	3104 317 42741
MG2.1E	FBX CL1+2A			R_M_1	3104 317 42741	No				
MG3.1E	CL2B	Start production		MG31E11.0_01981	3104 317 41981	No		MG31E11.1_02031	3104 317 02031	3104 317 02031
MG3.1E	CL2B	Week 9935 and higher		MG31E11.1_02031	3104 317 02031	No	HOP N2C compatible, Contrast adjusted with active control, active control has now: off, min, max, Austria is selectable in the 'country' menu, PIP solution	MG31E11.3_02081	3104 317 42081	3104 317 42081
MG3.1E	CL2B France	Only France: Week 9938 and higher		MG31E11.2_02041	3104 317 42041	No	Secam Notch-interface to FBX (only in -r19 and -r58, only used in 4/3 sets)	MG31E11.5_02161	3104 317 42161	3104 317 42161
MG3.1E	CL2B	Week 9935 and higher		MG31E11.3_02081	3104 317 42081	No	Only used in non RF 16/9 sets. When used in 4/3 sets the PIP picture with PAL I signal will be grey	MG31E11.5_02161	3104 317 42161	3104 317 42161
MG3.1E	CL2B	Week 9946 and higher		MG31E11.4_02141	3104 317 42141	No	Used in 32" and 36" RF sets. Shift of TXT in 36" is solved	MG31E11.5_02161	3104 317 42161	3104 317 42161
MG3.1E	CL2B	AG/QG01 and higher, week 0008 for xRPW9765 and week 0011 and higher for all other sets		MG31E11.5_02161	3104 317 42161	No	FBX on fast I2C bus, compatibility with Nextview 1.3, operation hours are correct, prevent overwriting of V-slope with 0, volume table for EDRIC sets has changed, fixed AFC value is used when secam L is detected, CompPair not working with this release	MG31E11.6_02291	3104 317 42291	3104 317 42291
MG3.1E	CL2B	AG/QG02 and higher, week 0020 and higher		MG31E11.6_02291	3104 317 42291	No	Option codes change due to Acoustic system (cabinets). Solutions for: small black bars in TXT, for EPG 2C3, freeze overruled after blackbar detection, hangups in level 2.5 TXT, wrong status detection with VR969 and VR960, AFC and AGC of PIP and FDS can be stored via service menu (temporary 2 points must be connected and CombPair local works again)	MG31E11.8_02301	3104 317 42581	3104 317 42581
MG3.1E	CL2B	Not used in production		MG31E11.7_02301	3104 317 42301	No	Not used in production.	MG31E11.8_02581	3104 317 42581	3104 317 42581

Software survey

SOFTWARE SURVEY									
CHASSIS	FAMILY	PRODUCTION CODE	UP TYPE/VERSION	IDENT	SERVICE CODE	HOTEL MODE ?	REMARKS TYPICAL FOR THIS SOFTWARE	IDENT	REPLACED BY SERVICE CODE
MG3.1E	CL2B	AG/VQ02 and higher, week 0041 and higher		MG31E11.8_02581	3104 317 42581	No	Solved: 3SA i.s.o. 3SAT in EPG screen, timer problem New Zealand, change of take-over point between MSP and EDRIC from +11 to 0dB, centration of TXT, IF AFC adjustment for SECAM L, service entry with normal remote possible, subtitles off/sat on/off possible at auto format	-	-
MG3.1A	CL5B	Start production		MG31A11.0_02061	3104 317 42061	No	Not used in production	MG31E11.1_02111	3104 317 42111
MG3.1A	CL5B	Week 9941 and higher		MG31A11.1_02111	3104 317 42111	No	Used in production for -57/69/93	MG31E11.2_02121	3104 317 42121
MG3.1A	CL5B	Week 9943 and higher		MG31A11.2_02121	3104 317 42121	No	TXT problem solved, can be used in all sets	MG31E11.3_02151	3104 317 42151
MG3.1A	CL5B	Week 0001 and higher		MG31A11.3_02151	3104 317 42151	No	Flashing when LNA switched off is solved, power picture can be stored, translations corrected, plops are solved, change mute behaviour rear AV's, prevent writing of V.slope = 0.	MG31A11.4_02251	3104 317 42251
MG3.1A	CL5B			MG31A11.4_02251	3104 317 42251	No	Solved: Give name list distorted (reshuffle), power picture is YES and should be NO, OSD 'sound muted' when volume minimum, Nr of favourites can be 100 i.s.o. 99	MG31A11.5_02261	3104 317 42261
MG3.1A	CL5B			MG31A11.5_02261	3104 317 42261	No	Solved: No dual /II possible with DK, AFC and AGC of PIP can't be stored, power picture changes to YES, add subtitle offset on/off at auto format, introduction of frame rotation, TXT software error when default object not found	-	-
MG3.1U	CL8	Start production		MG31U11.0_02361	3104 317 42361	No		MG31U11.0_02461	3104 317 42461
MG3.1U	CL8			MG31U11.0_02461	3104 317 42461	No		MG31U11.4_02541	3104 317 42541
MG3.1U	CL8			MG31U11.4_02541	3104 317 42541	No		-	-
MG3.1EA	FBX, CL2B	Start production		R4_1 (01970)	3104 317 41971	No		R4_2 (02000)	3104 317 42001
MG3.1EA	FBX	Week 9927 and higher		R4_2 (02000)	3104 317 42001	No		R4_3 (02070)	3104 317 42071
MG3.1EA	FBX	Week 9929 and higher		R4_3 (02070)	3104 317 42071	No		R4_5 (02070)	3104 317 42071
MG3.1EA	FBX France	Only France: Wk 9938 and higher		R4_4 (02050)	3104 317 42051	No		R4_6 (02240)	3104 317 42241
MG3.1EA	FBX	Week 9940 and higher		R4_5 (02070)	3104 317 42071	No		R4_6 (02240)	3104 317 42241
MG3.1EA	FBX	Week 0006 and higher		R4_6 (02240)	3104 317 42241	No		R4_7 (02350)	3104 317 42351
MG3.1EA	FBX	Week 0016 and higher		R4_7 (02350)	3104 317 42351	No		R4_8 (02420)	3104 317 42421
MG3.1EA	FBX			R4_8 (02420)	3104 317 42421	No		R4_10 (02680)	3104 317 42681
MG3.1EA	FBX			R4_10 (02680)	3104 317 42681	No		-	-
MG3.1U	FBX			R4_7 (02350)	3104 317 42351	No		R4_8 (02420)	3104 317 42421
MG3.1U	FBX			R4_8 (02420)	3104 317 42421	No		R4_9 (02480)	3104 317 42481
MG3.1U	FBX			R4_9 (02480)	3104 317 42481	No		-	-
MG5.1E	CL2A	Start production		MG51E13.3_02071	3135 015 11541	No		-	-
MG5.1E	CL2A	TD01 and higher		MG51E13.3_02071	3135 015 22061	No		-	-

Software survey

Tabel 1

Version	Remarks
3104 317 00850	<ul style="list-style-type: none"> - Improved EPG performance <ul style="list-style-type: none"> • Improved acquisition: new acquisition filter (low and high level). Consequence: max. EPG standby time increased to 1 hour • Acquisition start in EPG standby even if no date/time available on local broadcasters • MIP and BI processing done • Improved speed of display update (theme guide) • Message added: 'Programme information can not be displayed on this preset. Select on other preset' (all languages) • Improved reminder start-up: also after power failure in standby

Tabel 2

Version	Remarks
3104 317 01020	- New Auto TV parameters / user Sharpness control improved
3104 317 01030	- New 864 Dolby module added to software
3104 317 01040	<ul style="list-style-type: none"> - Menu colours / layout changed OSD size reduction (no more icons) - Adopted for the MID2.25 stick remote control RC2000 - Permanent OSD is permanent again: only number! - Bayern Text problem solved - DVD in stead of CDi in the menus - Store PP is moved to Set-up menu; features menu contains now a new item: "Recall Pers. Prefs." - The EasyLink record button now has a 'toggle' function: EasyLink Record and EasyLink Stop. As a consequence, in exceptional situations, sometimes the user has to press this button twice. - 433 cordless Dolby: no Dolby transmission for preset at 359MHz - 1mW or 10mW cordless transmitter selected depending country-choice in menus

Tabel 3

Version	Remarks
3104 317 01240	- P50 standby problem is solved (PR 1679,1764)
3104 317 01250	- Polish Clock problem before 10:00 AM is solved.
3104 317 01360	<ul style="list-style-type: none"> - Problem with 'WideScreen' aspect-ratio after textDualScreen is solved. - Blanking time when zapping between presets is changed is 3 grades: much shorter for 4:3 TVs, not altered for PAL+ TVs, shorter for the remaining (16:9) types. - A short blanking is introduced when zapping the primary image in Video Dual Screen mode. - East Europe translation problems (inconsistency with manuals) solved. - Mosaic menu line invisible on NTSC image solved. - Entering VGA picture menu with OK button. - 'CDI' in customer service menu 2 added. - Picture performance for DVD is improved: DVD settings work for CVBS, Y/C, and RGB. Changed: Dynamic contrast, Sharpness, Contrast, ANR, Auto TV parameters (CR ER 493, 613). In the set-up menu, the DVD item is altered: the DVD (or other 'Digital Sources') can now be connected to EXT1, 2, 3, or FRONT (used to be only EXT1). The improved picture performance settings will work on the selected connection. - The 'Soft' smart picture mode is altered to give the best possible picture performance for bad quality MPEG signals. - The "information line" item in the set-up menu, is now also functional in permanent OSD mode. - The picture performance of text-dual screen is improved by selecting another font, and shifting the text area a bit away from the picture tube edge. <p>Due to a problem with the set-type determination, this software can not be used in TVs for which the option bit for Smartic is not set, i.e. TVs that do not have the Smartic hardware (Dynamic Contrast). This makes this software unusable as a service-solution for a lot of MID2.2 TVs. All the MID2.25 TV sets do have the Smartic, so this software can be used for MID2.25. The phenomenon in a TV with the Smartic option bit cleared: The screen comes up very dark when switching ON the TV. Pressing the "PP restore" button restores the light-output. After a preset change, the screen is dark again. Pressing "PP restore" restores light.</p>

Software survey

Tabel 4

Version	Remarks
MG2.1E11.0_01561	<ul style="list-style-type: none"> - Subtitle via sub-code gets blocked, solved now - Correctness of clock. Clock accuracy is optimised (deviation 6 sec during 24 hours) - OSD clock update is stumbling. Clock is updated every 0.5 sec now. No further optimisation possible without a serious architecture change. - ACI optimisation , 5 min hang-up during scrambled signals is optimised to 1.5 min - ACI problems in The Netherlands. Sometimes the region table was skipped. The region selection table is always shown now, so the customer needs to select. - ACI problem with Tables on TOP-pages is NOT solved. Broadcaster needs adaptation; TOP table usage is not allowed. - TOP overview corruption of left table is SOLVED - TXT level 2.5 side band colours during vertical expansion; SOLVED - Subtitle skipping of text. This is optimised now - Sound after 4 min EPG-standby. Set doesn't free-up the sound anymore. - EPG sleep timer 2 hours. Set goes into st-by after a reminder wake-up without RC5/RC6 interaction. - EPG reminder wake-up. Sometimes the set doesn't wake-up. Depending on the quality of packet 8/30 wake-ups can go wrong. - Habit watch was not in. Functionality is available now - Next view on M6. Sometimes the TV selects TXT-guide ISO Next View. This is according to spec. Detecting EPG can take max. 2 minutes - Vg2 acknowledge for factory purposes - Hang-up problem; NVM-dump for prod needed for further analyses on hang-ups. - Exception handling to optimise the hang-up behaviour. This has no influence for the customer. - Dealer option store PR is solved


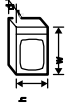


Tabel 5

Version	Remarks
MG2.1E11.3_01611	<ul style="list-style-type: none"> - HOP hardware problem, horizontal jitter. Switch to fast PLL for the N1 HOP version is implemented. - HIP hardware problem, SECAM recognition. The temporarily loss of colour and sync of SECAM signal via SCART is solved. - WSS problem. WSS recognition is disturbed due to a changed spec of MacroVision-protection. The unreliability behaviour of the WSS algorithm is solved. The change only influences the behaviour on SCART. - Slow Status recognition on SCART. The different behaviour of rising and falling edges on the SCART connector is now consistent. This solves strange switching between 4/3 and 16/9 format - OSD text changes for EPG-France; "une fo" becomes "1 fois" and "Journe" becomes "Jour" - OSD text changes in Polish language; "Glosnosc" (Not correctly displayed due to keyboard limitations) and "Wybierz jezuk" (idem) - Canal+ - M6 EPG problem. When selecting EPG on Canal+, the set switches in the background to M6, which makes the M6 sound available. Switching back to TV-mode makes the set to tune to Canal+ again. MIP page transmission was not possible with the previous SW version. A patch in the Soton SW solves this problem. Now, when selecting EPG on Canal+ no background tuning will happen. ATTENTION: The first time you access EPG transmitted through MIP pages (exp.: Canal+) you need to be tuned during 4 minutes on this channel. This time is required to give the application time to capture the MIP page and store it in NVM. - ACI Veldhoven problem. Cable Distribution company in Veldhoven (the Netherlands) is using transmission pages, which are reserved for TOP table transmission. This is not a common use, but it is allowed according to spec. In this SW version the TOP acquisition is switched OFF during ACI installation, which solves this problem





















































Model number survey

MODEL	STYLING	CHASSIS	RC	SYSTEM	Y	SOUND	h	W	D	VOLT RANGE	TUNER	OPTION CODES						
				P...=PAL S...=SECAM N...=NTSC		N...=NICAM F...=FM/FM	w	x	h			1	2	3	4	5	6	7
14PT2665/58	L9.2E		RC2525/01	P-BGDK, S-BGDK		MONO	45x35x33			150-276V	UV1316/A I-U-2 L9S	See sticker in set						
14PT3685/00	L9.3E		RC2533/01	P-BG		N-BG, 2CS-BG, MONO	45x35x38			220-240V	UV1316/AI-3	See sticker in set						
14PT3685/01	L9.3E		RC2533/01	P-BGDK, S-BGDK		N-BGIL, 2CS-BG, MONO	45x35x38			220-240V	UV1316/AI-3	See sticker in set						
14PT3685/05	L9.3E		RC2533/01	P-I		N-I, MONO	45x35x38			220-240V	UV1316/AI-3	See sticker in set						
14PT3722/59A	L9.2A		RC283501/01	P-BGDK, S-BGDK		MONO	45x35x38			100-250V	UV1316/A I-2	224 195 135 99	186	4				
14PT3722/59B	L9.2A		RC283501/01	P-BGDK, S-BGDK		MONO	45x35x38			100-250V	UV1316/A I-2	224 195 135 99	186	4				
14PT3722/59C	L9.2A		RC283501/01	P-BGDK, S-BGDK		MONO	45x35x38			100-250V	UV1316/A I-2	224 195 135 99	186	4				
14PT3722/59R	L9.2A		RC283501/01	P-BGDK, S-BGDK		MONO	45x35x38			100-250V	UV1316/A I-2	224 195 135 99	186	4				
14PT3723/59E	L9.2A		RC283510/01	P-BGDK, S-BGDK		MONO	44x35x38			90-276V	UV1316/A I-2	224 195 135 99*	186	4				
14PT3782/71R	L9.2A		RC282903/01	N-M		MONO	45x35x38			100-250V	TEDH9X001A	224 195 135 231	186	4				
14PT3782/74R	L9.2A		RC 283510/01	P-BGDK, S-BGDK		MONO	45x35x38			90-276V	UV1316/A I-2	See sticker in set						
14PT3822/56A	L9.2A		RC283501/01	P-BGDK, S-BGDK		NICAM, 2CS	45x35x38			100-250V	UV1316/A I-2	224 195 135 115	186	206	19			
14PT3822/57R	L9.2A		RC283501/01	P-BGDK, S-BGDK		NICAM, 2CS	45x35x38			100-250V	UV1316/A I-2	224 195 135 115	186	206	19			
14PT3822/68R	L9.2A		RC283501/01	P-BGDK, S-BGDK		NICAM, 2CS	45x35x38			100-250V	UV1316/A I-2	224 195 135 115	186	206	19			
14PT3822/69R	L9.2A		RC283501/01	P-BGDK, S-BGDK		NICAM, 2CS	45x35x38			100-250V	UV1316/A I-2	224 195 135 115	186	206	19			
14PT3862/57R	L9.3A		RC2532/01	P-BGDK, S-BGDK		NICAM, 2CS	45x35x38			100-250V	UV1316/A I-2	See sticker in set						
14PT3862/69R	L9.3A		RC2532/01	P-BGDK, S-BGDK		NICAM, 2CS	45x35x38			100-250V	UV1316/A I-2	See sticker in set						
14PT3862/79R	L9.3A		RC2532/01	P-BGDK, S-BGDK		NICAM, 2CS	45x35x38			100-250V	UV1316/A I-2	See sticker in set						
17HT3153/01	L9H.2E		RC2882/01	P-BG, S-LL'		MONO	43x39x41			220-240V	UV1316/A I-2	See sticker in set						
17HT3153/05	L9H.2E		RC2882/01	P-BG, S-LL'		MONO	43x39x41			220-240V	UV1316/A I-2	See sticker in set						
17HT3153/58	L9H.2E		RC2882/01	P-BGDK, S-BGDK		MONO	43x39x41			220-240V	UV1316/A I-2	See sticker in set						
17HT3253/01	L9H.2E		RC2882/01	P-BG, S-LL'		MONO	43x39x41			220-240V	UV1316/A I-2	See sticker in set						
17HT3253/05	L9H.2E		RC2882/01	P-BG, S-LL'		MONO	43x39x41			220-240V	UV1316/A I-2	See sticker in set						
17HT3253/58	L9H.2E		RC2882/01	P-BGDK, S-BGDK		MONO	43x39x41			220-240V	UV1316/A I-2	See sticker in set						
17HT4203/21M	L9H.2E		RC2882/01	P-BGDK, S-BGDK		MONO	43x39x41			220-240V	UV1316/A I-2	See sticker in set						
17HT4203/25M	L9H.2E		RC2882/01	P-BGDK, S-BGDK		MONO	43x39x41			220-240V	V-U PLL	See sticker in set						
17HT4203/78M	L9H.2E		RC2882/01	P-BGDK, S-BGDK		MONO	43x39x41			220-240V	V-U PLL	See sticker in set						
17HT5403/01S	L9H.2E		RC2882/01	P-BGDK, S-BGDK		MONO	43x39x41			220-240V	V-U PLL	See sticker in set						
17HT5403/01Z	L9H.2E		n.a.	P-BG, S-LL'		MONO	43x39x41			220-240V	UV1316/A I-2	See sticker in set						
17HT5403/05S	L9H.2E		RC2882/01	P-BG, S-LL'		MONO	43x39x41			220-240V	V-U PLL	See sticker in set						
17HT5403/05Z	L9H.2E		RC2884/01	P-BG, S-LL'		MONO	43x39x41			220-240V	UV1316/A I-2	See sticker in set						
17HT5403/21R	L9H.2E		RC2884/01	P-BG, S-LL'		MONO	43x39x41			220-240V	UV1316/A I-2	See sticker in set						
17HT5403/25R	L9H.2E		RC2884/01	P-BG, S-LL'		MONO	43x39x41			220-240V	UV1316/A I-2	See sticker in set						
17HT5403/58Z	L9H.2E		n.a.	P-BGDK, S-BGDK		MONO	43x39x41			220-240V	UV1316/A I-2	See sticker in set						
17HT5403/78R	L9H.2E		RC2884/01	P-BGDK, S-BGDK		MONO	43x39x41			220-240V	UV1316/A I-2	See sticker in set						
17PT1564/00	L9.2E		RC2525/01	P-BG		MONO	42x38x40			170-242V	UV1316/A I-2	232 251 197 97	186	16	0			
17PT1564/01	L9.2E		RC2525/01	P-BG, S-BG		MONO	42x38x40			170-242V	UV1316/A I-2	232 251 197 97	186	16	67			
17PT1564/05	L9.2E		RC2525/01	P-I		MONO	42x38x40			170-242V	UV1316/A I-2	232 251 197 97	186	16	65			
17PT1564/58	L9.2E		RC2525/01	P-BGDK, S-BGDK		MONO	42x38x40			170-242V	UV1316/A I-2	232 203 132 97	186	16	66			
17PT1565/00	L9.2E		RC283509/01	P-BG		MONO	42x38x40			220-240V	UV1316/A I-2	See sticker in set						
17PT1565/01	L9.2E		RC283509/01	P-BG, S-BG		MONO	42x38x40			220-240V	UV1316/A I-2	See sticker in set						
17PT1565/05	L9.2E		RC283509/01	P-I		MONO	42x38x40			220-240V	UV1316/A I-2	See sticker in set						
17PT1565/58	L9.2E		RC283509/01	P-BGDK, S-BGDK		MONO	42x38x40			150-264V	UV1316/A I-2	See sticker in set						
20HT1582/59Z	L9H.2A		RC283501/01	P-BGDK, S		MONO	50x46x47			90-276V	UV1316/A I-2	0 224 4 80	59	16	66			
20HT1582/67Z	L9H.2A		RC283501/01	P-BGH		MONO	50x46x47			90-276V	UV1316/A I-2	0 96 4 80	59	16	1			
20HT1582/68Z	L9H.2A		RC283501/01	P-BGDK, S-BGDK		MONO	50x46x47			100-250V	UV1316/A I-2	0 224 4 80	59	16	66			
20HT1582/71Z	L9H.2A		RC282903/01	N-M		MONO	50x46x47			90-276V	TEDH9X001A	0 96 4 209	59	19	192			
20HT1582/75Z	L9H.2A		RC283501/01	P-BGH		MONO	50x46x47			150-276V	UV1316/A I-2	0 224 4 80	59	16	1			
20HT3153/01	L9H.2E		RC2882/01	P-BG, S-LL'		MONO	52x47x49			220-240V	UV1316/A I-2	See sticker in set						
20HT3153/05	L9H.2E		RC2882/01	P-BG, S-LL'		MONO	52x47x49			220-240V	UV1316/A I-2	See sticker in set						
20HT3153/58	L9H.2E		RC2882/01	P-BGDK, S-BGDK		MONO	52x47x49			220-240V	UV1316/A I-2	See sticker in set						




















































Model number survey

MODEL	STYLING	CHASSIS	RC	SYSTEM	SOUND					OPTION CODES	6	7
				P...PAL S...SECAM N...NTSC	N...NICAM F...FM/FM		SIZE wxhxd (cm)	VOLT RANGE	TUNER	1 2 3 4	5	
20HT13253/01	246	L9H.2E	RC2882/01	P-BGI, S-LL'	MONO		52x47x49	220-240V	UV1316/A I-2	See sticker in set		
20HT13253/05	246	L9H.2E	RC2882/01	P-BGI, S-LL'	MONO		52x47x49	220-240V	UV1316/A I-2	See sticker in set		
20HT13303/01	246	L9H.2E	RC2882/01	P-BGDK, S-BGDK	MONO		52x47x49	220-240V	UV1316/A I-2	See sticker in set		
20HT13303/05	246	L9H.2E	RC2882/01	P-BGI, S-LL'	MONO		52x47x49	220-240V	UV1316/A I-2	See sticker in set		
20HT13303/58	246	L9H.2E	RC2882/01	P-BGDK, S-BGDK	MONO		52x47x49	220-240V	UV1316/A I-2	See sticker in set		
20HT4203/21M	246	L9H.2E	n.a.	P-BGI, S-LL'	MONO		52x47x49	220-240V	UV1316/A I-2	See sticker in set		
20HT4203/25M	246	L9H.2E	n.a.	P-BGI, S-LL'	MONO		52x47x49	220-240V	UV1316/A I-2	See sticker in set		
20HT4203/78M	246	L9H.2E	n.a.	P-BGDK, S-BGDK	MONO		52x47x49	220-240V	UV1316/A I-2	See sticker in set		
20PT1342/00	239	L6.1	RC8201/01	P-BG	MONO		51x48x48	220-240V	UV915E/MK3	See sticker in set		
20PT1354/58	285	L9.2E	RC282601/01	P-BGDK, S-BGDK	NICAM, 2CS		50x47x46	100-250V	UV1316/A I-2	See sticker in set		
20PT1554/58	285	L9.2E	RC2525/01	P-BGDK, S-BGDK	NICAM, 2CS		50x47x46	100-250V	UV1316/A I-2	See sticker in set		
20PT1582/59A	273	L9.2A	RC283501/01	P-BGDK, S-BGDK	MONO		50x46x47	100-250V	UV1316/A I-2	232 195 135 99	186 4	68
20PT1582/59B	273	L9.2A	RC283501/01	P-BGDK, S-BGDK	MONO		50x46x47	100-250V	UV1316/A I-2	232 195 135 99	186 4	68
20PT1582/59C	273	L9.2A	RC283501/01	P-BGDK, S-BGDK	MONO		50x46x47	100-250V	UV1316/A I-2	232 195 135 99	186 4	68
20PT1582/59F	273	L9.2A	RC283501/01	P-BGDK, S-BGDK	MONO		50x46x47	100-250V	UV1316/A I-2	232 195 135 99	186 4	68
20PT1582/67R	273	L9.2A	RC283501/01	P-BG	MONO		50x46x47	100-250V	UV1316/A I-2	224 195 135 99	186 4	0
20PT1582/71R	273	L9.2A	RC282903/01	N-M	MONO		50x46x47	100-250V	TEDH9X001A	232 195 135 231	186 4	192
20PT1582/73R	273	L9.2A	RC283501/01	P-BGI	MONO		50x46x47	100-250V	UV1316/A I-2	232 195 135 99	186 4	2
20PT1582/75R	273	L9.2A	RC283501/01	P-BG	MONO		50x46x47	100-250V	UV1316/A I-2	232 67 135 99	186 4	0
20PT1722/59A	265	L9.2A	RC283501/01	P-BGDK, S-BGDK	MONO		59x46x47	100-250V	UV1316/A I-2	232 195 135 99	186 4	68
20PT1722/59B	265	L9.2A	RC283501/01	P-BGDK, S-BGDK	MONO		59x46x47	100-250V	UV1316/A I-2	232 195 135 99	186 4	68
20PT1722/59C	265	L9.2A	RC283501/01	P-BGDK, S-BGDK	MONO		59x46x47	100-250V	UV1316/A I-2	232 195 135 99	186 4	68
20PT1722/59F	265	L9.2A	RC283501/01	P-BGDK, S-BGDK	MONO		59x46x47	100-250V	UV1316/A I-2	232 195 135 99	186 4	68
20PT1722/59S	265	L9.2A	RC283501/01	P-BGDK, S-BGDK	MONO		59x46x47	100-250V	UV1316/A I-2	224 195 135 99	186 4	68
20PT1722/73R	265	L9.2A	RC283501/01	P-BGI	MONO		59x46x47	100-250V	UV1316/A I-2	232 195 135 99	186 4	2
20PT1782/67R	265	L9.2A	RC283501/01	P-BG	MONO		59x46x47	100-250V	UV1316/A I-2	224 195 135 99	186 4	0
20PT1782/71R	265	L9.2A	RC282903/01	N-M	MONO		59x46x47	100-250V	UV1316/A I-2	224 195 135 231	186 4	192
20PT1822/57R	265	L9.2A	RC283501/01	P-BGDK, S-BGDK	NICAM, 2CS		59x46x47	100-250V	TEDH9X001A	224 195 135 115	186 206	19
20PT1822/68R	265	L9.2A	RC283501/01	P-BGDK, S-BGDK	NICAM, 2CS		59x46x47	100-250V	UV1316/A I-2	232 195 135 115	186 206	19
20PT1822/69R	265	L9.2A	RC283501/01	P-BGDK, S-BGDK	NICAM, 2CS		59x46x47	100-250V	UV1316/A I-2	224 195 135 115	186 206	19
20PT1822/67R	265	L9.2A	RC283501/01	P-BGDK, S-BGDK	NICAM, 2CS		59x46x47	100-250V	UV1316/A I-2	224 195 135 115	186 206	19
20PT1822/71R	265	L9.2A	RC282903/01	N-M	BTSC		59x46x47	100-250V	TEDH9X001A	224 195 135 115	186 206	19
20PT1822/74R	265	L9.2A	RC283501/01	P-BGDK, S-BGDK	NICAM, 2CS		59x46x47	100-250V	UV1316/A I-2	224 195 135 115	186 206	19
20PT1822/97R	282	L9H.2A	RC282903/01	P-BG, S-DK	BTSC		59x46x47	100-250V	UV1316/A I-2	232 195 135 247	186 204	208
21HT1582/61R	282	L9H.2A	RC2882/01	N-M	MONO		52x47x48	90-276V	UV1316/A I-2	0 224 4	80 59	16 66
21HT1582/67R	282	L9H.2A	RC2882/01	P-BGH,	MONO		52x47x48	90-276V	UV1316/A I-2	128 225 6	80 59	251 211
21HT1582/67Z	282	L9H.2A	RC283501/01	P-BGH,	MONO		52x47x48	90-276V	UV1316/A I-2	128 97 6	80 59	16 1
21HT1582/69Z	282	L9H.2A	RC283501/01	P-BGDK	MONO		52x47x48	100-250V	TEDE9-004A	0 96 4	80 59	16 1
21HT1582/75R	282	L9H.2A	RC2882/01	P-BGH,	MONO		52x47x48	150-276V	UV1316/A I-2	128 225 6	80 59	16 1
21HT1582/75Z	282	L9H.2A	RC283501/01	P-BGH,	MONO		52x47x48	150-276V	UV1316/A I-2	0 224 4	80 59	16 1
21HT3622/57R	241	L9H.2A	RC2882/01	P-BGDK, S-BGDK	NICAM, 2CS		61x48x49	90-276V	UV1316/A I-2	128 97 6	80 59	249 83
21HT3622/69R	241	L9H.2A	RC2882/01	P-BGDK, S-BGDK	NICAM, 2CS		61x48x49	90-276V	UV1316/A I-2	128 225 6	80 59	249 83
21HT3627/57Y	241	L9H.2A	RC2882/01	P-BGDK, S-BGDK	NICAM, 2CS		61x48x49	90-276V	UV1316/A I-2	224 97 6	92 59	249 83
21HT3627/69Y	241	L9H.2A	RC2882/01	P-BGDK, S-BGDK	NICAM, 2CS		61x48x49	90-276V	UV1316/A I-2	224 225 6	92 59	248 19
21HT3627/79Y	241	L9H.2A	RC2882/01	P-BGDK, S-BGDK	NICAM, 2CS		61x48x49	150-276V	UV1316/A I-2	224 225 6	92 59	248 19
21HT3782/71Z	281	L9H.2A	RC282903/01	N-M	BTSC		61x47x48	100-250V	TEDH9X001A	0 96 4	209 59	19 192
21HT3942/69R	276	L9H.1A	RC2882/01	P-MULTI	BI NICAM,AV STEREO		61x47x48	90-276V	UV1316/A I-2	128 225 6	92 63	248 19
21HT3942/69Z	276	L9H.1A	RC283501/01	P-MULTI	BI NICAM,AV STEREO		61x47x48	90-276V	UV1316/A I-2	0 224 4	92 63	248 19
21HT5403/01S	240	L9H.2E	RC2882/01	P-BGDK, S-BGDK	MONO		52x47x48	220-240V	V+J PLL	See sticker in set		



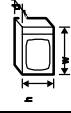

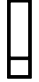
Model number survey

MODEL	STYLING	CHASSIS	RC	SYSTEM	SOUND	IMAGE	SIZE	VOLT RANGE	TUNER	OPTION CODES							
										1	2	3	4	5	6	7	
21HT5403/01Z	240	L9H.2E	RC2882/01	P-BG, S-LL'	MONO		52x47x48	220V	UV1316/A I-2	See sticker in set							
21HT5403/05S	240	L9H.2E	RC2882/01	P-BG, S-LL'	MONO		52x47x48	220-240V	V+U PLL	See sticker in set							
21HT5403/05Z	240	L9H.2E	n.a.	P-BG, S-LL'	MONO		52x47x48	220-240V	UV1316/A I-2	See sticker in set							
21HT5403/21R	240	L9H.2E	RC2884/01	P-BG, S-LL'	MONO		52x47x48	220V	UV1316/A I-2	See sticker in set							
21HT5403/25R	240	L9H.2E	n.a.	P-BG, S-LL'	MONO		52x47x48	220-240V	UV1316/A I-2	See sticker in set							
21HT5403/58Z	240	L9H.2E	n.a.	P-BGDK, S-BGDK	MONO		52x47x48	220-240V	UV1316/A I-2	See sticker in set							
21HT5403/78R	240	L9H.2E	RC2884/01	P-BGDK, S-BGDK	MONO		52x47x48	220-240V	UV1316/A I-2	See sticker in set							
21PT1354/00	288	L9.2E	RC282603/01	P-BG	MONO		50x47x46	220-240V	UV1316/A I-2	See sticker in set							
21PT1354/01	288	L9.2E	RC282603/01	P-BGDK, S-BGDK	MONO		50x47x46	220-240V	UV1316/A I-2	See sticker in set							
21PT1354/48	288	L9.2E	RC282603/01	P-BGDK, S-BGDK	MONO		50x47x46	220-240V	UV1316/A I-2	See sticker in set							
21PT1354/58	288	L9.2E	RC282601/01	P-BGDK, S-BGDK	NICAM, 2CS		50x47x46	150-264V	UV1316/A I-2	See sticker in set							
21PT1364/58	222	L9.2E	RC282601/01	P-BGDK, S-BGDK	NICAM, 2CS		55x47x50	100-250V	UV1316/A I-2	See sticker in set							
21PT1532/59B	281	L9.2A	RC283501/01	P, S	MONO		61x47x48	90-276V	UV1316/A I-2	See sticker in set							
21PT1532/59C	281	L9.2A	RC283501/01	P, S	MONO		61x47x48	90-276V	UV1316/A I-2	See sticker in set							
21PT1532/67R	281	L9.2A	RC283501/01	P-BG	MONO		61x47x48	90-276V	UV1316/A I-2	See sticker in set							
21PT1532/71R	281	L9.2A	RC282903/01	N-M	MONO		61x47x48	90-276V	TEDH9X001A	See sticker in set							
21PT1532/75R	281	L9.2A	RC283501/01	P-DK1	MONO		61x47x48	150-276V	UV1316/A I-2	See sticker in set							
21PT1582/59C	282	L9.2A	RC283501/01	P-BGDK, S-BGDKK'	MONO		52x47x48	100-250V	UV1316/A I-2	See sticker in set							
21PT1582/59V	282	L9.2A	RC283501/01	P-BGDK, S-BGDKK'	MONO		52x47x48	100-250V	UV1316/A I-2	See sticker in set							
21PT1582/67R	282	L9.2A	RC283501/01	P-BG	MONO		52x47x48	100-250V	UV1316/A I-2	See sticker in set							
21PT1582/71R	282	L9.2A	RC282903/01	N-M	MONO		52x47x48	100-250V	TEDH9X001A	See sticker in set							
21PT1582/75T	282	L9.2A	RC283501/01	P-BG	MONO		52x47x48	100-250V	UV1316/A I-2	See sticker in set							
21PT1654/00	288	L9.2E	RC283509/01	P-BG	MONO		50x47x46	220-240V	UV1316/A I-2	See sticker in set							
21PT1654/01	288	L9.2E	RC283509/01	P-BG	MONO		50x47x46	220-240V	UV1316/A I-2	See sticker in set							
21PT1654/05	288	L9.2E	RC283509/01	P-BG, S-BGLL'	MONO		50x47x46	220-240V	UV1316/A I-2	See sticker in set							
21PT1654/48	288	L9.2E	RC283509/01	P-BGDK, S-BGDK	MONO		50x47x46	150-264V	UV1316/A I-2	See sticker in set							
21PT1654/58	288	L9.2E	RC283509/01	P-BGDK, S-BGDK	MONO		50x47x46	150-264V	UV1316/A I-2	See sticker in set							
21PT1664/00	222	L9.2E	RC2525/01	P-BG	MONO		55x47x50	170-242V	UV1316/A I-2	See sticker in set							
21PT1664/01	222	L9.2E	RC2525/01	P-BG	MONO		55x47x50	170-242V	UV1316/A I-2	See sticker in set							
21PT1664/05	222	L9.2E	RC2525/01	P-BG, S-BG, L, L1	MONO		55x47x50	170-242V	UV1316/A I-2	See sticker in set							
21PT1664/05S	222	L9.2E	RC2543/01	P-BG, S-BG, L, L1	MONO		50x47x46	220-240V	UV1316/A I-2	See sticker in set							
21PT1664/21	222	L9.2E	RC2543/01	P-BG, S-BG, L, L1	MONO		50x47x46	220-240V	UV1316/A I-2	See sticker in set							
21PT1664/21S	222	L9.2E	RC2543/01	P-BG, S-BG, L, L1	MONO		50x47x46	220-240V	UV1316/A I-2	See sticker in set							
21PT1664/58	222	L9.2E	RC2525/01	P-BGDK, S-BGDK	MONO		55x47x50	170-242V	UV1316/A I-2	See sticker in set							
21PT1664/58S	222	L9.2E	RC2543/01	P-BGDK, S-BGDK	MONO		52x49x49	150-264V	UV1316/A I-2	See sticker in set							
21PT1865/58	264	L9.2E	RC2543/01	P-BGDK, S-BGDK	MONO		55x47x50	170-242V	UV1316/A I-2	See sticker in set							
21PT2264/00	222	L9.2E	RC2525/01	P-BG	MONO		55x47x50	220-240V	UV1316/A I-2	See sticker in set							
21PT2264/20	222	L9.2E	RC2543/01	P-BG	MONO		55x47x50	220-240V	UV1316/A I-2	See sticker in set							
21PT2265/00	264	L9.2E	RC2543/01	P-BG	MONO		55x47x49	220-240V	UV1316/A I-2	See sticker in set							
21PT2563/11	239	L6.1	RC8205/21	P-BG	NICAM, 2CS		51x48x48	220-240V	UV915E/MK3	See sticker in set							
21PT2564/00	183	L6.1	RC8205/21	P-BG	N-BG		52x47x48	220-240V	UV915E/MK3	See sticker in set							
21PT2584/01	183	L6.1	n.a.	P-BG, S-LL'	NICAM		52x47x48	220-240V	UV1316/A I-2	See sticker in set							
21PT2664/00	222	L9.2E	RC2525/01	P-BG	NICAM, 2CS		55x47x50	100-250V	UV1316/A I-2	See sticker in set							
21PT2664/20	222	L9.2E	RC2543/01	P-BG	N-BG, 2CS-BG, MONO		55x47x50	220-240V	UV1316/A I-2	See sticker in set							
21PT2665/00	264	L9.2E	RC2543/01	P-BG	N-BG, 2CS-BG, MONO		55x47x49	150-264V	UV1316/A I-2	See sticker in set							
21PT2665/01	264	L9.2E	RC2543/01	P-BG	N-BG, 2CS-BG, MONO		55x47x49	150-264V	UV1316/A I-2	See sticker in set							
21PT2665/05	264	L9.2E	RC2543/01	P-BG, S-LL'	N-BG, 2CS-BG, MONO		55x47x49	220-240V	UV1316/A I-2	See sticker in set							
21PT2665/11	264	L9.2E	RC2543/01	P-BG	N-BG, 2CS-BG, MONO		55x47x49	220-240V	UV1316/A I-2	See sticker in set							
21PT2665/58	264	L9.2E	RC2543/01	P-BGDK, S-BGDK	N-BG, 2CS-BGDK		55x47x49	150-264V	UV1316/A I-2	See sticker in set							
21PT2684/01	222	L9.2E	RC2525/01	P, S-BGILL'	NICAM, 2CS		55x47x50	100-250V	UV1316/A I-2	See sticker in set							
21PT2684/05	222	L9.2E	RC2525/01	P-BG	NICAM, 2CS		55x47x50	100-250V	UV1316/A I-2	See sticker in set							
21PT2684/21	222	L9.2E	RC2543/01	P-BG, S-BGILL'	N-BG, L, L1, 2CS-BG, MONO		55x47x50	220-240V	UV1316/A I-2	See sticker in set							

Model number survey

MODEL	STYLING	CHASSIS	RC	SYSTEM	SOUND	IMAGE	SIZE	VOLT RANGE	TUNER	OPTION CODES						
										1	2	3	4	5	6	7
21PT2684/25	222	L9.2E	RC2543/01	P-I	N-I, MONO		55x47x50	220-240V	UV1316/A I-2	See sticker in set						
21PT2684/48	222	L9.2E	RC2543/01	P-BGDK, S-BGDK	N-BGDK, 2CS-BG, MONO		55x47x50	150-264V	UV1316/A I-2	See sticker in set						
21PT2684/58	222	L9.2E	RC2525/01	P-BGDK, S-BGDK	NICAM, 2CS		55x47x50	100-250V	UV1316/A I-2	See sticker in set						
21PT3722/59A	281	L9.2A	RC283501/01	P-BGDK, S-BGDKK'	MONO		61x47x48	100-250V	UV1316/A I-2	224 195 135 99	186 4	68				
21PT3722/59B	281	L9.2A	RC283501/01	P-BGDK, S-BGDKK'	MONO		61x47x48	100-250V	UV1316/A I-2	224 195 135 99	186 4	68				
21PT3722/59C	281	L9.2A	RC283501/01	P-BGDK, S-BGDKK'	MONO		61x47x48	100-250V	UV1316/A I-2	224 195 135 99	186 4	68				
21PT3722/59D	281	L9.2A	RC283501/01	P-BGDK, S-BGDKK'	MONO		61x47x48	100-250V	UV1316/A I-2	224 67 135 99	186 4	0				
21PT3722/67R	275	L9.2A	RC283510/01	P-BG	MONO		61x47x48	90-276V	UV1316/A I-2	224 195 135 99*	186 4	33				
21PT3732/71R	275	L9.2A	RC282904/01	N-M	MONO		61x47x48	90-276V	TEHD9X001A	160 227 135 103*	186 4	192				
21PT3732/74R	275	L9.2A	RC283510/01	N, P-BGDKI, S-BGDKK'	MONO		61x47x48	90-276V	UV1316/A I-2	160 227 135 231	186 6	192				
21PT3742/59A	275	L9.2A	RC283510/01	P-BGDK, S-BGDKK'	MONO		61x47x48	90-276V	UV1316/A I-2	224 195 135 99*	186 4	68				
21PT3742/59B	275	L9.2A	RC283510/01	P-BGDK, S-BGDKK'	MONO		61x47x48	90-276V	UV1316/A I-2	224 195 135 99*	186 4	68				
21PT3742/59C	275	L9.2A	RC283510/01	P-BGDK, S-BGDKK'	MONO		61x47x48	90-276V	UV1316/A I-2	224 195 135 99*	186 4	68				
21PT3742/59D	275	L9.2A	RC283510/01	P-BGDK, S-BGDKK'	MONO		61x47x48	90-276V	UV1316/A I-2	224 67 135 99*	186 4	1				
21PT3782/67R	281	L9.2A	RC283501/01	P-BG	MONO		61x47x48	100-250V	UV1316/A I-2	224 195 135 99	186 4	0				
21PT3782/71R	281	L9.2A	RC282903/01	N-M	MONO		61x47x48	100-250V	TEHD9X001A	224 195 135 231	186 4	192				
21PT3822/56T	275	L9.2A	RC283501/01	P-BGDKI, S-BGDKK', N-M	NICAM, 2CS		61x47x48	100-250V	UV1316/A I-2	224 195 135 115	186 206	19				
21PT3822/57T	275	L9.2A	RC283501/01	P-BGDKI, S-BGDKK', N-M	NICAM, 2CS		61x47x48	100-250V	UV1316/A I-2	224 195 135 115	186 206	19				
21PT3822/68R	275	L9.2A	RC283501/01	P-BGDKI, S-BGDKK', N-M	NICAM, 2CS		61x47x48	100-250V	UV1316/A I-2	232 195 135 115	186 206	19				
21PT3822/69R	275	L9.2A	RC283501/01	P-BGDKI, S-BGDKK', N-M	NICAM, 2CS		61x47x48	100-250V	UV1316/A I-2	224 195 135 115	186 206	19				
21PT3822/69T	275	L9.2A	RC283510/01	P-BGDKI, S-BGDKK', N-M	BI-NBGD, 2CS		61x47x48	90-276V	UV1316/A I-2	232 195 135 115	186 206	19				
21PT3822/79T	275	L9.2A	RC283501/01	N-M	BTSC		61x47x48	100-250V	UV1316/A I-2	232 67 135 115	186 206	19				
21PT3882/67R	275	L9.2A	RC283501/01	P-BGDKI, S-BGDKK', N-M	NICAM, 2CS		61x47x48	100-250V	UV1316/A I-2	224 195 135 115	186 206	19				
21PT3882/71R	275	L9.2A	RC282903/01	N-M	BTSC		61x47x48	100-250V	TEHD9X001A	224 195 135 247	186 206	19				
21PT3882/74R	275	L9.2A	RC283501/01	P-BGDKI, S-BGDKK', N-M	NICAM, 2CS		61x47x48	100-250V	UV1316/A I-2	224 195 135 115	186 206	19				
21PT3932/67R	276	L9.1A	RC283510/01	N, P-BGDKI, S-BGDKK'	BI-NBGD, 2CS		61x47x48	90-276V	UV1316/A I-2	224 195 135 115*	190 204	19				
21PT3932/71R	276	L9.1A	RC282904/01	N-M	BTSC-DBX		61x47x48	90-276V	TEHD9X001A	160 227 135 119*	190 204	208				
21PT3932/74R	276	L9.1A	RC283510/01	N, P-BGDKI, S-BGDKK'	BI-NBGD, 2CS		61x47x48	90-276V	UV1316/A I-2	224 195 135 115*	190 204	67				
21PT3942/56A	276	L9.1A	RC283510/01	N-M, P-BGDKI, S-BGDKK'	BI-NBGD, 2CS		61x47x48	90-276V	UV1316/A I-2	224 195 135 115*	190 204	19				
21PT3942/57R	276	L9.1A	RC283510/01	N-M, P-BGDKI, S-BGDKK'	BI-NBGD, 2CS		61x47x48	90-276V	UV1316/A I-2	224 195 135 115*	190 204	19				
21PT3942/68R	276	L9.1A	RC283510/01	N-M, P-BGDKI, S-BGDKK'	BI-NICAM, AV STEREO		61x47x48	90-276V	UV1316/A I-2	224 195 135 115*	190 204	19				
21PT3942/69R	276	L9.1A	RC283510/01	N-M, P-BGDKI, S-BGDKK'	BI-NICAM, AV STEREO		61x47x48	90-276V	UV1316/A I-2	224 195 135 115*	190 204	19				
21PT3942/79R	276	L9.1A	RC283510/01	N-M, P-BGDKI, S-BGDKK'	BI-NICAM, AV STEREO		61x47x48	150-276V	UV1316/A I-2	224 67 135 115*	190 204	19				
21PT3952/67R	300	L9.1A	RC283510/01	N-M, P-BGDKI, S-BGDKK'	N-BGDKI		61x47x48	90-276V	UV1316/A I-2	224 195 135 115*	190 206	19				
21PT3952/71R	300	L9.1A	RC282904/01	N-M	BTSC-DBX		61x47x48	90-276V	TEHD9X001A	160 227 135 247	190 206	208				
21PT3952/74R	300	L9.1A	RC283510/01	N-M, P-BGDKI, S-BGDKK'	N-BGDKI		61x47x48	90-276V	UV1316/A I-2	224 195 135 115*	190 206	19				
21PT3952/97R	300	L9.1A	RC282904/01	N-M	BTSC-DBX		61x47x48	90-276V	TEHD9X001A	160 227 135 247	190 206	208				
21PT3962/56A	300	L9.1A	RC283510/01	N-M, P-BGDKI, S-BGDKK'	N-BGD, 2CS		61x47x48	90-276V	UV1316/A I-2	224 195 135 115*	190 206	19				
21PT3962/57R	300	L9.1A	RC283510/01	N-M, P-BGDKI, S-BGDKK'	N-BGD, 2CS		61x47x48	90-276V	UV1316/A I-2	224 195 135 115*	190 206	19				
21PT3962/68R	300	L9.1A	RC283510/01	N-M, P-BGDKI, S-BGDKK'	N-BGDKI		61x47x48	90-276V	UV1316/A I-2	224 195 135 115*	190 206	19				
21PT3962/69R	300	L9.1A	RC283510/01	N-M, P-BGDKI, S-BGDKK'	N-BGDKI		61x47x48	90-276V	UV1316/A I-2	224 195 135 115*	190 204	19				
21PT3962/79R	300	L9.1A	RC283510/01	N-M, P-BGDKI, S-BGDKK'	N-BGDKI		61x47x48	150-276V	UV1316/A I-2	224 67 135 115*	190 204	19				
21PT4255/00	287	L9.2E	RC2525/01	P-BG	MONO		45x35x38	220-240V	UV1316/A I-2	See sticker in set						
21PT4423/01	183	L6.2	RC8205	P-BG, S-BGLL'	MONO		52x47x48	220V	UV915E/MK3	See sticker in set						
21PT4455/00	287	L9.2E	RC2525/01	P-BG	NICAM, 2CS		52x47x49	170-242V	UV1316/A I-2	232 51 199 113	186	156	9			
21PT4455/20	287	L9.2E	RC2543/01	P-BG	N-BG, 2CS-BG, MONO		52x49x49	220-240V	UV1316/A I-2	See sticker in set						
21PT4475/01	287	L9.2E	RC2525/01	P-BG, S-BGLL, L1	NICAM, 2CS		52x47x49	170-242V	UV1316/A I-2	232 51 199 113	186	156	11			
21PT4475/05	287	L9.2E	RC2525/01	P-I	NICAM		52x47x49	170-242V	UV1316/A I-2	232 51 199 113	186	156	73			
21PT4475/21	287	L9.2E	RC2543/01	P-BGLI, S-BGLL'	N-BGIL, 2CS-BG, MONO		52x49x49	220-240V	UV1316/A I-2	See sticker in set						
21PT4475/25	287	L9.2E	RC2543/01	P-BGDK, S-BGDK	N-I, MONO		52x49x49	220-240V	UV1316/A I-2	See sticker in set						
21PT4475/48	287	L9.2E	RC2543/01	P-BGDK, S-BGDK	N-BGDK, 2CS-BG, MONO		52x49x49	150-264V	UV1316/A I-2	See sticker in set						

Model number survey

MODEL	STYLING	CHASSIS	RC	SYSTEM						OPTION CODES					
				P...=PAL S...=SECAM N...=NTSC	SOUND N...=NICAM F...=FM/FM	SIZE wxhxd (cm)	VOLT RANGE	TUNER	1 2 3 4	5 6 7					
21PT4475/58	287	L9.2E	RC2525/01	P-BGDK, S-BGDK	NICAM, 2CS	52x47x49	170-242V	UV1316/A I-2	232 3	134 113	186	158	74		
21PT5305/00	249	L9.1E	RC2543/01	P-BG	N-BG, 2CS-BG, MONO	62x48x29	220-240V	TEDE9-004A	See stcker in set						
21PT5305/01	249	L9.1E	RC2543/01	P-BGI, S-BGILL'	N-BGIL, 2CS-BG, MONO	62x48x29	220-240V	TEDE9-004A	See stcker in set						
21PT5305/58	249	L9.1E	RC2543/01	P-BGDK, S-BGDK	N-BGDK, 2CS-BG, MONO	62x48x29	150-276V	TEDE9-004A	See stcker in set						
21PT5324/05R	187	A8.0E	RC2541/01	P-I	N-I	76x59x51	220-240V	TEDE9-004A	See stcker in set						
21PT5324/58R	187	A8.0E	RC2541/01	P-BGDK, S-BGDK	NICAM, 2CS	76x59x51	220-240V	TEDE9-004A	See stcker in set						
21PT5505/00	263	L9.1E	RC2543/01	P-BG	N-BG, 2CS-BG, MONO	60x46x49	220-240V	TEDE9-004A	See stcker in set						
21PT5505/01	263	L9.1E	RC2543/01	P-BGI, S-BGILL'	N-BGIL, 2CS-BG, MONO	60x46x49	220-240V	TEDE9-004A	See stcker in set						
21PT5505/05	263	L9.1E	RC2543/01	P-I	2CS	60x46x49	220-240V	TEDE9-004A	See stcker in set						
21PT5505/58	263	L9.1E	RC2543/01	P-BGDK, S-BGDK	N-BGDK, 2CS-BG, MONO	60x46x49	150-264V	TEDE9-004A	See stcker in set						
24PW6005/05	252	A10E	RC2563/01	P-BGDK, S-BGDK	N-BGDK, 2CS BG, BI N BG	71x45x46	220-240V	TEDE9-004A	See stcker in set						
24PW6005/05	252	A10E	RC2563/01	P-BGDK, S-BGDK	N-BGDK, 2CS BG, BI N BG	71x45x46	220-240V	TUN V+U	See stcker in set						
25HT4672/69R	242	L9H.1A	RC2882/01	P-BGDK, S-BGDK	NICAM, 2CS	69x54x45	90-276V	UV1316/A I-2	128 225 6	80	63	248	19		
25HT4672/71R	242	L9H.1A	RC2882/01	P-BGDK, S-BGDK	N-BG, 2CS-BG	69x54x45	90-276V	TEDE9-004A	128 225 6	80	63	251	216		
25HT4672/79R	242	L9H.1A	RC2882/01	P-BGDK, S-BGDK	NICAM, 2CS	69x54x45	90-276V	UV1316/A I-2	128 225 6	80	63	248	17		
25HT4677/57Y	242	L9H.1A	RC2882/01	P-BGDK, S-BGDK	NICAM, 2CS	69x54x45	90-276V	UV1316/A I-2	224 97 6	92	63	249	83		
25HT4677/69Y	242	L9H.1A	RC2882/01	P-BGDK, S-BGDK	NICAM, 2CS	69x54x45	90-276V	UV1316/A I-2	224 225 6	92	63	248	19		
25HT4677/79Y	242	L9H.1A	RC2882/01	P-BGDK, S-BGDK	BI N-BG/D, 2CS	76x58x51	150-276V	UV1316/A I-2	224 225 6	92	63	248	17		
25HT4822/71Z	289	L9H.1A	RC282903/01	N-M	BTSC	68x54x47	90-276V	TEDE9-004A	0 96 4	221	63	251	216		
25HT5403/01Z	238	L9H.1E	n.a.	P-BGI, S-LL'	N-BG, 2CS-BG	66x54x47	220-240V	TEDE9-004A	See stcker in set						
25HT5403/05Z	238	L9H.1E	n.a.	P-BGI, S-LL'	NICAM, 2CS	66x54x47	220-240V	TEDE9-004A	See stcker in set						
25HT5403/21R	238	L9H.1E	RC2884/01	P-BGI, S-LL'	NICAM, 2CS	66x54x47	220-240V	TEDE9-004A	See stcker in set						
25HT5403/25R	238	L9H.1E	RC2884/01	P-BGI, S-LL'	N-DK, 2CS-DK	66x54x47	220-240V	TEDE9-004A	See stcker in set						
25HT5403/58Z	238	L9H.1E	n.a.	P-BGI, S-LL'	NICAM, 2CS	66x54x47	220-240V	TEDE9-004A	See stcker in set						
25HT5403/78R	238	L9H.1E	RC2884/01	P-BGDK, S-BGDK	NICAM, 2CS	66x54x47	220-240V	TEDE9-004A	See stcker in set						
25PT4104/58	292	L9.1E	RC2525/01	P-BGDK, S-BGDK	MONO	76x51x58	90-276V	TEDE9-004A	See stcker in set						
25PT4223/59C	289	L9.1A	RC283501/01	P-BG, S-DKK'	MONO	68x54x47	90-276V	UV1316/A I-2	234 195 151 123	254	206	49			
25PT4223/67R	289	L9.1A	RC283501/01	P-BG	MONO	68x54x47	90-276V	UV1316/A I-2	234 195 151 123	254	206	49			
25PT4273/75T	289	L9.1A	RC283501/01	P-BG	MONO	68x54x47	90-276V	UV1316/A I-2	234 195 151 123	254	206	9			
25PT4275/00	256	L9.1E	RC2543/01	P-BGI, S-BGILL'	NICAM BGLI	76x51x58	220-240V	UV1316/A I U-2 L9L	See stcker in set						
25PT4275/01	256	L9.1E	RC2525/01	P-BGI, S-BGILL'	N-BGIL, 2CS-BG, MONO	76x51x58	90-276V	TEDE9-004A	See stcker in set						
25PT4275/21	256	L9.1E	RC2543/01	P-BGI, S-BGILL'	N-BGIL, 2CS-BG, MONO	76x51x58	220-240V	TEDE9X007A	See stcker in set						
25PT4342/59C	278	L9.1A	RC283510/01	P-BGDK, S-BGDK	AV STEREO	76x58x51	90-276V	TEDE9X007A	See stcker in set						
25PT4342/67R	278	L9.1A	RC283510/01	P-BG	AV STEREO	76x58x51	90-276V	UV1316/A I-2	224 195 135 115*	254	204	12			
25PT4342/79R	278	L9.1A	RC283510/01	P-BG	AV STEREO	76x58x51	150-276V	UV1316/A I-2	224 195 135 115*	254	206	9			
25PT4375/01	292	L9.1E	RC2525/01	P-BGI, S-BGILL'	N-BG, 2CS-BG, MONO	69x46x52	220-240V	TEDE9-004A	See stcker in set						
25PT4455/20	256	L9.1E	RC2525/01	P-I	NICAM	66x54x47	220-240V	TEDE9X007A	See stcker in set						
25PT4475/01	256	L9.1E	RC2525/01	P-BGI, S-BGILL'	N-I, MONO	66x54x47	170-242V	TEDE9-004A	233 51 130 121	254	158	11			
25PT4475/05	256	L9.1E	RC2543/01	P-BGDK, S-BGDK	N-BGIL, 2CS-BG, MONO	66x54x47	220-240V	TEDE9-004A	See stcker in set						
25PT4475/21	256	L9.1E	RC2543/01	P-BGDK, S-BGDK	N-BGDK, 2CS-BG, MONO	66x54x47	220-240V	TEDE9-004A	See stcker in set						
25PT4475/48	256	L9.1E	RC2543/01	P-BGDK, S-BGDK	N-BGDK, 2CS BG	76x51x58	150-264V	TEDE9-004A	See stcker in set						
25PT4475/58	256	L9.1E	RC283509/01	P-BGDK, S-BGDK	BTSC-DBX	76x58x51	90-276V	TEDE9X001A	160 227 135 119*	254	204	208			
25PT4632/71R	278	L9.1A	RC282904/01	N-M	BI N-BG/D, 2CS	76x58x51	90-276V	UV1316/A I-2	224 195 135 115*	254	204	9			
25PT4642/56A	278	L9.1A	RC283510/01	N-M, P-BGDK, S-BGDK	BI N-BG/D, 2CS	76x58x51	90-276V	UV1316/A I-2	224 195 135 115*	254	204	9			
25PT4642/57R	278	L9.1A	RC283510/01	N-M, P-BGDK, S-BGDK	BI N-BG/D, 2CS	76x58x51	90-276V	UV1316/A I-2	224 195 135 115*	254	204	147			
25PT4642/67R	278	L9.1A	RC283510/01	N-M, P-BGDK, S-BGDK	BI N-BG/D, 2CS	76x58x51	90-276V	UV1316/A I-2	224 195 135 115*	254	206	19			
25PT4642/69R	278	L9.1A	RC283510/01	N-M, P-BGDK, S-BGDK	BI N-BG/D, 2CS	76x58x51	90-276V	UV1316/A I-2	224 195 135 115*	254	204	19			
25PT4642/79R	278	L9.1A	RC283510/01	P-BGDK, S-BGDK	BI N-BG/D, 2CS	76x58x51	150-276V	UV1316/A I-2	224 195 135 115*	254	204	19			
25PT4655/00	292	L9.1E	RC2525/01	P-BG	NICAM, 2CS	76x51x58	90-276V	TEDE9-004A	See stcker in set						
25PT4655/20	292	L9.1E	RC2543/01	P-BG	N-BG, 2CS-BG	66x54x47	220-240V	TEDE9-004A	See stcker in set						
25PT4675/01	292	L9.1E	RC2525/01	P-BGI, S-BGILL'	N-BGIL, 2CS, MONO	76x51x58	90-276V	TEDE9-004A	See stcker in set						














































Model number survey

MODEL	STYLING	CHASSIS	RC	SYSTEM	Y	SOUND	Speaker icon	SIZE	h w d (cm)	VOLT RANGE	TUNER	OPTION CODES	6	7
				P...=PAL S...=SECAM N...=NTSC		N...=NICAM F...=FM/FM		wxhxd (cm)				1 2 3 4	5	
25PT4675/05	L9.1E		RC2525/01	P-I		NICAM, 2CS		76x51x58	90-276V	TUN V+U	See stcker in set			
25PT4822/1T	L9.1A		RC282903/01	N-M		BTSC		68x54x47	90-276V	TEDH9X001A	164 227 135 245	254	207	208
25PT4823/5T	L9.1A		RC283501/01	P-BGDKI, S-BGDKK', N-M		NICAM, 2CS		68x54x47	90-276V	UV1316/A I-2	234 195 151 123	254	206	147
25PT4823/6T	L9.1A		RC283501/01	P-BGDKI, S-BGDKK', N-M		NICAM, 2CS		68x54x47	90-276V	UV1316/A I-2	234 195 151 123	254	206	19
25PT4873/56T	L9.1A		RC283501/01	P-BGDKI, S-BGDKK', N-M		NICAM, 2CS		68x54x47	90-276V	UV1316/A I-2	234 195 151 123	254	206	19
25PT4873/69R	L9.1A		RC283501/01	P-BGDKI, S-BGDKK', N-M		NICAM, 2CS		68x54x47	90-276V	UV1316/A I-2	234 195 151 123	254	206	19
25PT4873/69T	L9.1A		RC283501/01	P-BGDKI, S-BGDKK', N-M		NICAM, 2CS		68x54x47	90-276V	UV1316/A I-2	234 195 151 123	254	206	19
25PT5005/00	L9.1E		RC2525/01	P-BG		NICAM, 2CS		68x54x47	90-276V	UV1316/A I-2	234 195 151 123	254	206	17
25PT5025/01	L9.1E		RC2525/01	P-BG, S-BGLL'		NICAM		76x51x58	170-242V	TEDE9-004A	233 251 128 121	254	222	9
25PT5025/05	L9.1E		RC2525/01	P-I		NICAM		76x51x58	170-242V	TEDE9-004A	233 251 128 121	254	222	11
25PT5025/58	L9.1E		RC2525/01	P-BGDK, S-BGDK		NICAM		76x51x58	170-242V	TEDE9-004A	232 251 128 121	254	222	73
25PT5105/00	L9.1E		RC2525/01	P-BG		NICAM		76x51x58	170-242V	TEDE9-004A	232 203 132 121	254	222	74
25PT5105/58	L9.1E		RC2543/01	P-BGDK, S-BGDK		N-BGDK, 2CS-BG, MONO		69x53x46	150-264V	TEDE9-004A	233 251 128 121	254	222	9
25PT5124/01	A8.0E		RC2541/01	P-BG, S-BGLL'		NICAM, 2CS		76x59x51	220-240V	TEDE9-004A	See stcker in set			
25PT5125/05	L9.1E		RC2525/01	P-BG, S-BGLL'		NICAM, 2CS		76x51x58	170-242V	TEDE9-004A	See stcker in set			
25PT5125/00S	L9.1E		RC2525/01	P-I		NICAM		76x51x58	170-242V	TEDE9-004A	233 251 128 121	254	222	11
25PT5305/00	L9.1E		RC2543/01	P-BG		N-BG, F-BG, MONO		69x53x48	220-240V	TEDE9-004A	232 251 128 121	254	222	73
25PT5305/01	L9.1E		RC2543/01	P-BG		N-BG, 2CS-BG, MONO		69x53x48	220-240V	TEDE9-004A	See stcker in set			
25PT5305/58	L9.1E		RC2543/01	P-BGDKI, S-BGDK		N-BGIL, 2CS-BG, MONO		69x53x48	220-240V	TEDE9-004A	See stcker in set			
25PT7106/12	EM2E		RC2592/01	P-I		N-I		76x59x51	220-240V	TEDE9-004A	See stcker in set			
25PT7106/12R	EM2E		RC2592/01	P-BGDKI, S-BGDKLL'		NICAM, 2CS		76x59x51	220-240V	TUN V+U	See stcker in set			
25PT7106/58R	EM2E		RC2592/01	P-BGDKI, S-BGDKLL'		NICAM, 2CS		76x59x51	220-240V	UV1316/A I U-2 L9L	See stcker in set			
286NS/05	L6.2		n.a.	P-I		N-I		61x47x48	220-240V	TUN V+U	See stcker in set			
28DW9625/05R	MG4.1E		RC2038	P-BGDKI, S-BGDKLL'		N-BGDKIL, F-BG/Czech		79x51x49	220-240V	UV1316/A I U-3	See stcker in set			
28HT5403/01Z	L9H.1E		n.a.	P-BG, S-LL'		N-BGDK, 2CS BG		76x58x51	220-240V	TUN V+U	See stcker in set			
28HT5403/05Z	L9H.1E		n.a.	P-BG, S-LL'		NICAM, 2CS		76x58x51	220-240V	TEDE9-004A	See stcker in set			
28HT5403/21R	L9H.1E		RC2884/01	P-BG, S-LL'		N-BGDK, 2CS BG		76x58x51	220-240V	TEDE9-004A	See stcker in set			
28HT5403/25R	L9H.1E		RC2884/01	P-BG, S-LL'		NICAM, 2CS		76x58x51	220-240V	TEDE9-004A	See stcker in set			
28HT5403/58Z	L9H.1E		n.a.	P-BGDK, S-BGDK		NICAM, 2CS		76x58x51	220-240V	TEDE9-004A	See stcker in set			
28HT5403/78R	L9H.1E		RC2884/01	P-BGDK, S-BGDK		NICAM, 2CS		76x58x51	220-240V	TEDE9-004A	See stcker in set			
28PT4104/58	L9.1E		RC283509/01	P-BGDK, S-BGDK		MONO		75x53x47	150-264V	TEDE9-004A	See stcker in set			
28PT4254/00	L6.2		RC8207/01	P-BG		N-BG, 2CS-BG		76x51x58	220-240V	UV915E/MK3	See stcker in set			
28PT4255/00	L9.1E		RC2525/01	P-BG		NICAM, 2CS		76x51x58	90-276V	TEDE9-004A	See stcker in set			
28PT4255/20	L9.1E		RC2543/01	P-BG		N-BG, 2CS-BG		76x58x51	220-240V	TEDE9-004A	See stcker in set			
28PT4275/01	L9.1E		RC2525/01	P-BG, S-BGLL'		NICAM, STEREO		76x51x58	90-276V	TEDE9-004A	See stcker in set			
28PT4375/01	L9.1E		RC2525/01	P-BG, S-BGLL'		NICAM, STEREO		76x51x58	90-276V	TEDE9-004A	See stcker in set			
28PT4404/00	L9.1E		RCL9ED	P-BG		MONO		76x51x58	220-240V	TEDE9-004A	See stcker in set			
28PT4404/20	L9.1E		RCL9ED	P-BG		N-BG, 2CS-BG		76x58x51	220-240V	TEDE9-004A	See stcker in set			
28PT4404/30	L9.1E		RCL9ED	P-BG		N-BG, F-BG, MONO		76x51x58	220-240V	UV1316/A I U-2 L9L	See stcker in set			
28PT4455/20	L9.1E		RC2525/01	P-BG		MONO		76x51x58	220-240V	TEDE9-004A	233 51 128 121	254	158	9
28PT4475/01	L9.1E		RC2525/01	P-BG, S-BGLL'		NICAM		76x51x58	170-242V	TEDE9-004A	See stcker in set			
28PT4475/05	L9.1E		RC2525/01	P-I		NICAM		76x51x58	170-242V	TEDE9-004A	233 51 130 121	254	158	11
28PT4475/21	L9.1E		RC2543/01	P-BG, S-BGLL'		N-BGIL, 2CS-BG, MONO		76x58x51	220-240V	TEDE9-004A	233 51 130 121	254	158	73
28PT4475/58	L9.1E		RC2525/01	P-BG, S-BGLL'		NICAM, 2CS		76x51x58	90-276V	TEDE9-004A	See stcker in set			
28PT4655/20	L9.1E		RC2525/01	P-BG		NICAM, 2CS		76x51x58	90-276V	TEDE9-004A	See stcker in set			
28PT4655/20	L9.1E		RC2543/01	P-BG		N-BG, 2CS-BG, MONO		76x58x51	220-240V	TEDE9-004A	See stcker in set			




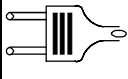

Model number survey

MODEL	STYLING	CHASSIS	RC	SYSTEM	SOUND	SOUND N...=NICAM F...=FM/FM	SIZE wxhxd (cm)	VOLT RANGE	TUNER	OPTION CODES						
										1	2	3	4	5	6	7
28PT4675/05	293	L9.1E	RC2525/01	P-J	NICAM, 2CS	NICAM, 2CS	76x51x58	90-276V	TEDE9-004A	See sticker in set						
28PT4755/00	257	L9.1E	RC283509/01	P-BG	N-BG, 2CS BG, MONO	N-BG, 2CS BG, MONO	76x51x58	220-240V	TEDE9-004A	See sticker in set						
28PT4755/00S	257	L9.1E	RC2543/01	P-BG	N-BG, 2CS BG, MONO	N-BG, 2CS BG, MONO	76x51x58	220-240V	TEDE9X007A	See sticker in set						
28PT4775/01	257	L9.1E	RC283509/01	P-BGLL'	2CS-BG, N-BG, MONO	2CS-BG, N-BG, MONO	76x51x58	220-240V	TEDE9-004A	See sticker in set						
28PT4775/21	257	L9.1E	RC2543/01	P-BGLI, S-BGLL'	N-BGILL, 2CS-BG, MONO	N-BGILL, 2CS-BG, MONO	76x58x51	220-240V	TEDE9-004A	See sticker in set						
28PT5005/00	257	L9.1E	RC2525/01	P-BG	NICAM, 2CS	NICAM, 2CS	76x51x58	90-276V	TEDE9-004A	See sticker in set						
28PT5005/00	257	L9.1E	RC2525/01	P-BGLI, S-BGLL'	NICAM	NICAM	76x51x58	170-242V	TEDE9-004A	233 251 128 121	254					
28PT5025/05	257	L9.1E	RC2525/01	P-J	NICAM	NICAM	76x51x58	170-242V	TEDE9-004A	232 251 128 121	254					
28PT5025/58	257	L9.1E	RC2525/01	P-BGDK, S-BGDK	NICAM	NICAM	76x51x58	170-242V	TEDE9-004A	232 203 132 121	254					
28PT5105/00	257	L9.1E	RC2525/01	P-BG	NICAM	NICAM	76x51x58	170-242V	TEDE9-004A	233 251 128 121	254					
28PT5105/58	257	L9.1E	RC2525/01	P-BGDK, S-BGDK	N-BGDK, 2CS-BG, MONO	N-BGDK, 2CS-BG, MONO	76x58x48	150-276V	TEDE9-004A	See sticker in set						
28PT5125/01	258	L9.1E	RC2543/01	P-BGLI, S-BGLL'	NICAM	NICAM	76x51x58	170-242V	TEDE9-004A	233 251 128 121	254					
28PT5125/05	258	L9.1E	RC2525/01	P-BG	N-BG, 2CS	N-BG, 2CS	76x51x58	220-240V	TEDE9-004A	232 251 128 121	254					
28PT5155/00S	258	L9.1E	RC2543/01	P-J	N-BG, 2CS-BG, MONO	N-BG, 2CS-BG, MONO	76x51x58	220-240V	TEDE9X007A	See sticker in set						
28PT5205/00	258	L9.1E	RC2525/01	P-BG	NICAM, 2CS	NICAM, 2CS	76x51x58	90-276V	TEDE9-004A	See sticker in set						
28PT5505/01	299	A10E	RC2563/01	P-BGDKI, S-BGDKLL'	N-BGDKLL, 2SC-BG	N-BGDKLL, 2SC-BG	76x51x58	220-240V	TEDE9-004A	See sticker in set						
28PT7106/12	261	EM2E	RC2592/01	P-BGDKI, S-BGDKLL'	NICAM, 2CS	NICAM, 2CS	76x51x58	220-240V	TUN V+U	See sticker in set						
28PT7106/12R	261	EM2E	RC2592/01	P-BGDKI, S-BGDKLL'	NICAM, 2CS	NICAM, 2CS	76x51x58	220-240V	TEDE9-004A	See sticker in set						
28PT7106/19	261	EM2E	RC2592/01	P-BGDKI, S-BGDKLL'	NICAM, 2CS	NICAM, 2CS	76x51x58	220-240V	TUN V+U	See sticker in set						
28PT7106/19R	261	EM2E	RC2592/01	P-BGDKI, S-BGDKLL'	NICAM, 2CS	NICAM, 2CS	76x51x58	220-240V	TUN V+U	See sticker in set						
28PT7156/12	261	EM2E	RC2592/01	P-BGDKI, S-BGDKLL'	NICAM, 2CS	NICAM, 2CS	76x51x58	220-240V	TEDE9-004A	See sticker in set						
28PT7156/12R	261	EM2E	RC2592/01	P-BGDKI, S-BGDKLL'	NICAM, 2CS	NICAM, 2CS	76x51x58	220-240V	TEDE9-004A	See sticker in set						
28PT7206/12	261	EM2E	RC2592/01	P-BGDKI, S-BGDKLL'	NICAM, 2CS	NICAM, 2CS	76x51x58	220-240V	TEDE9-004A	See sticker in set						
28PT7206/12R	261	EM2E	RC2592/01	P-BGDKI, S-BGDKLL'	NICAM, 2CS	NICAM, 2CS	76x51x58	220-240V	TEDE9-004A	See sticker in set						
28PT7306/12	261	EM2E	RC2592/01	P-BGDKI, S-BGDKLL'	NICAM, 2CS	NICAM, 2CS	76x51x58	220-240V	TUN V+U	See sticker in set						
28PT7306/58	261	EM2E	RC2592/01	P-BGDKI, S-BGDKLL'	NICAM, 2CS	NICAM, 2CS	76x51x58	220-240V	TEDE9-004A	See sticker in set						
28PT7306/58R	261	EM2E	RC2592/01	P-BGDKI, S-BGDKLL'	NICAM, 2CS	NICAM, 2CS	76x51x58	220-240V	TEDE9-004A	See sticker in set						
28PW5405/01	252	A10E	RC2563/01	P-BGDKI, S-BGDKLL'	NICAM, 2CS	NICAM, 2CS	81x50x52	220-240V	TUN V+U	See sticker in set						
28PW5406/01	291	A10E	RC2563/01	P-BGDKI, S-BGDKLL'	N-BGDKLL, 2SC-BG, F-BG	N-BGDKLL, 2SC-BG, F-BG	81x50x52	220-240V	TEDE9-004A	See sticker in set						
28PW6005/01	252	A10E	RC2563/01	P-BGDKI, S-BGDKLL'	N-BGDKLL, 2CS BG, BI N BG	N-BGDKLL, 2CS BG, BI N BG	81x50x52	220-240V	TUN V+U	See sticker in set						
28PW6005/05	284	A10E	RC2563/01	P-BGDKI, S-BGDKLL'	N-BGDKLL, 2CS BG, BI N BG	N-BGDKLL, 2CS BG, BI N BG	81x50x52	220-240V	TUN V+U	See sticker in set						
28PW6305/05	284	A10E	RC2563/01	P-BGDKI, S-BGDKLL'	N-BGDKLL, 2CS BG, BI N BG	N-BGDKLL, 2CS BG, BI N BG	81x50x52	220-240V	TUN V+U	See sticker in set						
28PW6305/58	284	A10E	RC2563/01	P-BGDKI, S-BGDKLL'	N-BGDKLL, 2CS BG, BI N BG	N-BGDKLL, 2CS BG, BI N BG	81x50x52	220-240V	TUN V+U	See sticker in set						
28PW6315/01	298	A10E	RC2563/01	P-BGDKI, S-BGDKLL'	N-BGDKLL, 2CS BG, BI N BG	N-BGDKLL, 2CS BG, BI N BG	81x50x52	220-240V	TUN V+U	See sticker in set						
28PW6315/05	298	A10E	RC2563/01	P-BGDKI, S-BGDKLL'	N-BGDKLL, 2CS BG, BI N BG	N-BGDKLL, 2CS BG, BI N BG	81x50x52	220-240V	TUN V+U	See sticker in set						
28PW6515/01	260	A10E	RC2563/01	P-BGDKI, S-BGDKLL'	N-BGDKLL, 2CS BG, BI N BG	N-BGDKLL, 2CS BG, BI N BG	81x50x52	220-240V	TUN V+U	See sticker in set						
28PW6515/05	260	A10E	RC2563/01	P-BGDKI, S-BGDKLL'	N-BGDKLL, 2CS BG, BI N BG	N-BGDKLL, 2CS BG, BI N BG	81x50x52	220-240V	TUN V+U	See sticker in set						
28PW8206/12	296	EM2E	RC2592/01	P-BGDKI, S-BGDKLL'	N-BGDKLL, 2CS BG, BI N-BG	N-BGDKLL, 2CS BG, BI N-BG	81x50x52	160-176V	TEDE9-004A	See sticker in set						
28PW8206/12R	296	EM2E	RC2592/01	P-BGDKI, S-BGDKLL'	N-BGDKLL, 2CS BG, BI N-BG	N-BGDKLL, 2CS BG, BI N-BG	81x50x52	160-176V	TEDE9-004A	See sticker in set						
28PW8505/12S	227	MG2.1E	RC2020/01	P-BGDKI, S-BGDKLL'	N-BGDKLL, 2SC-BG	N-BGDKLL, 2SC-BG	81x50x52	220-240V	TEDE9-004A	See sticker in set						
28PW8505/12	227	MG2.1E	RC2020/01	P-BGDKI, S-BGDKLL'	NICAM, 2CS	NICAM, 2CS	81x50x52	220-240V	TEDE9-004A	See sticker in set						
28PW8505/58	227	MG2.1E	RC2020/01	P-BGDKI, S-BGDKLL'	NICAM, 2CS	NICAM, 2CS	81x50x52	220-240V	TEDE9-004A	See sticker in set						
28PW8506/12	296	EM2E	RC2592/01	P-BGDKI, S-BGDKLL'	NICAM, 2CS	NICAM, 2CS	77x49x51	220-240V	TUN V+U	See sticker in set						
28PW8506/12R	296	EM2E	RC2592/01	P-BGDKI, S-BGDKLL'	NICAM, 2CS	NICAM, 2CS	77x49x51	220-240V	TUN V+U	See sticker in set						
28PW8506/19	296	EM2E	RC2592/01	P-BGDKI, S-BGDKLL'	NICAM, 2CS	NICAM, 2CS	77x49x51	220-240V	TUN V+U	See sticker in set						
28PW8506/19R	296	EM2E	RC2592/01	P-BGDKI, S-BGDKLL'	NICAM, 2CS	NICAM, 2CS	77x49x51	220-240V	TUN V+U	See sticker in set						
28PW8506/58	296	EM2E	RC2592/01	P-BGDKI, S-BGDKLL'	NICAM, 2CS	NICAM, 2CS	77x49x51	220-240V	TUN V+U	See sticker in set						
28PW8506/58R	296	EM2E	RC2592/01	P-BGDKI, S-BGDKLL'	NICAM, 2CS	NICAM, 2CS	77x49x51	220-240V	TUN V+U	See sticker in set						
28PW8806/12	266	MG2.1E	RC2592/01B	P-BGDKI, S-BGDKLL'	NICAM, 2CS	NICAM, 2CS	77x50x49	220-240V	UV1316/A I U-3	See sticker in set						



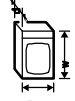
Model number survey

MODEL	STYLING	CHASSIS	RC	SYSTEM	SOUND	IMAGE	SIZE	VOLT RANGE	TUNER	OPTION CODES						
										1	2	3	4	5	6	7
28PW8806/12R	MG2.1E		RC2592/01B	P-BGDKI, S-BGDKLL'	N-BGDKIL, F-BG/Czech		77x50x49	220-240V	UV1316/A I-3	See sticker in set						
28PW8806/19	MG2.1E		RC2592/01B	P-BGDKI, S-BGDKLL'	NICAM BGLI		77x50x49	220-240V	UV1316/A I-2	See sticker in set						
28PW8806/58	MG2.1E		RC2592/01B	P-BGDKI, S-BGDKLL'	N-BGDKIL, F-BG/Czech		77x50x49	220-240V	UV1316/A I-3	See sticker in set						
28PW9525/05R	MG2.1E		RC2592/01B	P-BGDKI, S-BGDKLL'	NICAM BGLI		77x50x49	220-240V	UV1316/A I-2	See sticker in set						
28PW9525/05L	MG7.1E		RC2033/01B	P-BGDKI, S-BGDKLL'	N-BGDKIL, F-BG/Czech		79x51x49	220-240V	UV1316/A I-3	See sticker in set						
28PW9525/12L	MG7.1E		RC2033/01B	P-BGDKI, S-BGDKLL'	NICAM BGLI Dolby		79x51x49	220-240V	UV1316/A I-2	See sticker in set						
28PW9525/19L	MG7.1E		RC2033/01B	P-BGDKI, S-BGDKLL'	N-BGDKIL, F-BG/Czech		79x51x49	220-240V	UV1316/A I-3	See sticker in set						
28PW9525/19R	MG7.1E		RC2033/01B	P-BGDKI, S-BGDKLL'	NICAM BGLI Dolby		79x51x49	220-240V	UV1316/A I-2	See sticker in set						
28PW9525/58L	MG7.1E		RC2033/01B	P-BGDKI, S-BGDKLL'	N-BGDKIL, F-BG/Czech		79x51x49	220-240V	UV1316/A I-3	See sticker in set						
28PW9525/58R	MG7.1E		RC2033/01B	P-BGDKI, S-BGDKLL'	NICAM BGLI Dolby		79x51x49	220-240V	UV1316/A I-2	See sticker in set						
28PW9536/05	MG7.1E		RC2031/01B	P-BGDKI, S-BGDKLL'	N-BGDKIL, F-BG/Czech		89x60x55	220-240V	UV1316/A I-3	See sticker in set						
28PW9536/05R	MG7.1E		RC2031/01B	P-BGDKI, S-BGDKLL'	NICAM BGLI Dolby		89x60x55	220-240V	UV1316/A I-2	See sticker in set						
28PW9536/12R	MG7.1E		RC2031/01B	P-BGDKI, S-BGDKLL'	N-BGDKIL, F-BG/Czech		89x60x55	220-240V	UV1316/A I-3	See sticker in set						
28PW9536/12R	MG7.1E		RC2031/01B	P-BGDKI, S-BGDKLL'	NICAM BGLI Dolby		89x60x55	220-240V	UV1316/A I-2	See sticker in set						
28PW9616/01	MG3.1E		RC2033/01B	P-BGDKI, S-BGDKLL'	NICAM BGLI Dolby		79x51x49	220V	UV1316/A I-2	See sticker in set						
28PW9616/05R	MG3.1E		RC2033/01B	P-BGDKI, S-BGDKLL'	N-BGDKIL, F-BG/Czech		79x51x49	220-240V	UV1316/A I-3	See sticker in set						
28PW9616/12	MG3.1E		RC2033/01B	P-BGDKI, S-BGDKLL'	NICAM BGLI Dolby		79x51x49	220V	UV1316/A I-2	See sticker in set						
28PW9616/12R	MG3.1E		RC2033/01B	P-BGDKI, S-BGDKLL'	N-BGDKIL, F-BG/Czech		79x51x49	220-240V	UV1316/A I-3	See sticker in set						
28PW9616/19R	MG3.1E		RC2033/01B	P-BGDKI, S-BGDKLL'	NICAM BGLI Dolby		79x51x49	220-240V	UV1316/A I-2	See sticker in set						
28PW9616/58	MG3.1E		RC2033/01B	P-BGDKI, S-BGDKLL'	N-BGDKIL, F-BG/Czech		79x51x49	220V	UV1316/A I-2	See sticker in set						
28PW9616/58R	MG3.1E		RC2033/01B	P-BGDKI, S-BGDKLL'	NICAM, 2CS		86x72x63	90-276V	UV1316/A I-2	See sticker in set	224	225	6	92	63	248
29HT4677/69Y	L9.1A		RC2882/01	P-BG, S-DKK'	MONO		76x58x51	90-276V	UV1316/A I-2	See sticker in set	234	195	151	123	254	206
29PT4223/59C	L9.1A		RC2835/01/01	P-BG,	MONO		76x58x51	90-276V	UV1316/A I-2	See sticker in set	234	195	151	123	254	206
29PT4223/67R	L9.1A		RC2835/01/01	P-BG,	MONO		76x58x51	90-276V	UV1316/A I-2	See sticker in set	234	195	151	123	254	206
29PT4273/75R	L9.1A		RC2835/01/01	P-BG,	MONO		76x58x51	90-276V	UV1316/A I-2	See sticker in set	234	195	151	123	254	206
29PT4822/71R	L9.1A		RC2829/03/01	N-M	BTSC		76x58x51	90-276V	TEDH9X001A	See sticker in set	164	227	135	245	254	207
29PT4822/71R	L9.1A		RC2829/03/01	N-M	BTSC		76x58x51	90-276V	TEDH9X001A	See sticker in set	164	227	135	245	254	207
29PT4823/57R	L9.1A		RC2835/01/01	P-BGDKI, S-BGDKK', N-M	NICAM, 2CS		76x58x51	90-276V	UV1316/A I-2	See sticker in set	234	195	151	123	254	206
29PT4823/67R	L9.1A		RC2835/01/01	P-BGDKI, S-BGDKK', N-M	NICAM, 2CS		76x58x51	90-276V	UV1316/A I-2	See sticker in set	234	195	151	123	254	206
29PT4873/56A	L9.1A		RC2835/01/01	P-BGDKI, S-BGDKK', N-M	NICAM, 2CS		76x58x51	90-276V	UV1316/A I-2	See sticker in set	234	195	151	123	254	206
29PT4873/57R	L9.1A		RC2835/01/01	N-M, P-BGDKI, S-BGDKK'	N-BGDKI		76x58x51	90-276V	UV1316/A I-2	See sticker in set	234	195	151	123	254	206
29PT4873/67R	L9.1A		RC 2835/10/01	N-M, P-BGDKI, S-BGDKK'	N-BGI, 2CS-BGDK		76x58x51	90-276V	UV1316/A I-2	See sticker in set	234	195	151	123	254	206
29PT4873/68R	L9.1A		RC2835/01/01	P-BGDKI, S-BGDKK', N-M	N-BGDKI		76x58x51	90-276V	UV1316/A I-2	See sticker in set	234	195	151	123	254	206
29PT4873/69R	L9.1A		RC2835/01/01	P-BG	NICAM, 2CS		76x58x51	90-276V	UV1316/A I-2	See sticker in set	234	195	151	123	254	206
29PT4922/71R	L9.1A		RC2835/01/01	N-M	NICAM, 2CS		76x58x51	90-276V	UV1316/A I-2	See sticker in set	234	195	151	123	254	206
29PT4973/56A	L9.1A		RC2835/10/01	N-M, P-BGDKI, S-BGDKK'	AV STEREO, BTSC-DBX		79x76x50	90-276V	TEDH9X001A	See sticker in set	160	227	135	119*	254	204
29PT4973/57R	L9.1A		RC2835/10/01	N-M, P-BGDKI, S-BGDKK'	BI NICAM, AV STEREO		79x76x50	90-276V	UV1316/A I-2	See sticker in set	224	195	135	115*	254	204
29PT4973/67R	L9.1A		RC2835/10/01	N, P-BGDKI, S-BGDKK'	BI NICAM, AV STEREO		79x76x50	90-276V	UV1316/A I-2	See sticker in set	224	195	135	115*	254	204
29PT4973/68R	L9.1A		RC2835/10/01	P-BGDK, S-BGDKK'	BI NICAM, AV STEREO		79x76x50	90-276V	UV1316/A I-2	See sticker in set	224	195	135	115*	254	204
29PT4973/69R	L9.1A		RC2835/10/01	N-M, P-BGDKI, S-BGDKK'	BI NICAM, AV STEREO		79x76x50	90-276V	UV1316/A I-2	See sticker in set	224	195	135	115*	254	204
29PT4973/79R	L9.1A		RC2835/10/01	P-BGDKI, S-BGDKK'	BI NICAM, AV STEREO		79x76x50	150-276V	UV1316/A I-2	See sticker in set	224	67	135	115*	254	204
29PT15105/00	L9.1E		RC2543/01	P-BG	N-BG, 2CS-BG, MONO		76x59x50	220-240V	TEDE9-004A	See sticker in set	See sticker in set					
29PT15124/01	A8.0E		RC2541/00	P-BGI, S-BGLL'	NICAM, 2CS		76x59x51	220-240V	TEDE9-004A	See sticker in set	See sticker in set					
29PT15305/00	L9.1E		RC2543/01	P-BG	N-BG, 2CS-BG, MONO		76x59x50	220-240V	TEDE9-004A	See sticker in set	See sticker in set					
29PT15305/01	L9.1E		RC2543/01	P-BGI, S-BGLL'	N-BGIL, 2CS-BG, MONO		76x59x50	220-240V	TEDE9X007A	See sticker in set	See sticker in set					




Model number survey

MODEL	STYLING	CHASSIS	RC	SYSTEM	SOUND						OPTION CODES						
											1	2	3	4	5	6	7
				P...=PAL S...=SECAM N...=NTSC	N...=NICAM F...=FM/FM	SIZE wxhxd (cm)	VOLT RANGE	TUNER									
29PT5305/58	L9.1E		RC2543/01	P-BGDKI, S-BGDK	N-BGDK, 2CS-BG, MONO	76x59x50	150-276V	TEDE9X007A	See stcker in set								
29PT5324/05R	A8.0E		RC2541/01	P-I	N-I	76x59x51	220-240V	TEDE9-004A	See stcker in set								
29PT5515/01	A10E		RC2563/01	P-BGDKI, S-BGDKLL'	NICAM, 2CS	81x50x52	220-240V	TUN V+U	See stcker in set								
29PT5515/58	A10E		RC2563/01	P-BGDK, S-BGDK	NICAM, 2CS	81x50x52	160-276V	TUN V+U	See stcker in set								
29PT5544/7B	L9.1A		SBJU00003A	P-MIN, N-M	BTSC-DBX	76x58x51	90-276V	TEDE9	See stcker in set								
29PT6021/56A	A10A		RC283508/01	P-BGDKIMN, S-BGDK, N-M	N-BGDKI, 2SC-BG/Korea	78x59x53	90-276V	TEDE9X002A	90 153 194 63	24	0	0	0	0	0	0	
29PT6021/57R	A10A		RC283508/01	P-BGDKIMN, S-BGDK, N-M	N-BGDKI, 2SC-BG/Korea	78x59x53	90-276V	TEDE9X002A	90 153 194 63	24	0	0	0	0	0	0	
29PT6021/61R	A10A		RC283504/01	P-BGDKI, S-BGDK, N-MIN	2CS Korea	78x59x53	90-276V	TEDE9X001A	89 36 17 252	96	0	0	0	0	0	0	
29PT6021/69R	A10A		RC283508/01	P-BGDKI, S-BGDK, N-MIN	BTSC-DBX	78x59x53	90-276V	TEDE9X001A	89 36 17 252	96	0	0	0	0	0	0	
29PT6021/71R	A10A		RC283504/01	P-BGDKI, S-BGDK, N-MIN	BTSC-DBX	78x59x53	90-276V	TEDE9X001A	89 36 17 252	96	0	0	0	0	0	0	
29PT6021/73R	A10A		RC283508/01	P-BGDKI, S-BGDK, N-MIN	N-BGDKI, 2SC-BG	78x59x53	90-276V	TEDE9X002A	90 153 194 63	24	0	0	0	0	0	0	
29PT6021/79R	A10A		RC283508/01	P-BGDKI, S-BGDK, N-MIN	N-BGDKI, 2SC-BG	78x59x53	160-276V	TEDE9X002A	90 153 194 63	24	0	0	0	0	0	0	
29PT6361/56A	A10A		SBHV00020A	P-BGDKI, S-BGDK, N-MIN	N-BGDKI, 2SC-BG	79x59x50	90-276V	TEDE9-031A	123 253 255 159 214	0	0	0	0	0	0	0	
29PT6361/57R	A10A		SBHV00020A	P-BGDKI, S-BGDK, N-MIN	N-BGDKI, 2SC-BG	79x59x50	90-276V	TEDE9-031A	123 253 255 159 214	0	0	0	0	0	0	0	
29PT6361/61R	A10A		RC2511/01	P-BGDKI, S-BGDK, N-MIN	2CS Korea	79x59x50	90-276V	TEDE9X002A	123 245 253 253 96	0	0	0	0	0	0	0	
29PT6361/69R	A10A		SBHV00020A	P-BGDKI, S-BGDK, N-MIN	N-BGDKI, 2SC-BG	79x59x50	90-276V	TEDE9-031A	123 253 255 159 214	0	0	0	0	0	0	0	
29PT6361/71R	A10A		RC2511/01	P-BGDKI, S-BGDK, N-MIN	BTSC-DBX	79x59x50	90-276V	TEDE9X002A	123 245 253 253 96	0	0	0	0	0	0	0	
29PT6361/79B	A10A		SBHV00020A	P-BGDKI, S-BGDK, N-MIN	N-BGDKI, 2SC-BG	79x59x50	160-276V	TEDE9-031A	123 253 255 159 214	0	0	0	0	0	0	0	
29PT6361/79R	A10A		SBHV00020A	P-BGDKI, S-BGDK, N-MIN	N-BGDKI, 2SC-BG	79x59x50	160-276V	TEDE9-031A	123 253 255 159 214	0	0	0	0	0	0	0	
29PT6961/69R	A10A		RC2576/01	P-BGDKI, S-BGDK, N-MIN	N-BGDKI, 2SC-BG	78x59x53	90-276V	TEDE9X002A	94 111 191 140 0	0	0	0	0	0	0	0	
29PT6961/79R	A10A		RC2576/01	P-BGDKI, S-BGDK, N-MIN	N-BGDKI, 2SC-BG	78x59x53	90-276V	TEDE9X002A	94 111 191 140 0	0	0	0	0	0	0	0	
29PT8006/12	EM2E		RC2592/01	P-BGDKI, S-BGDKLL'	NICAM, 2CS	78x59x50	160-276V	TUN V+U	See stcker in set								
29PT8006/12R	EM2E		RC2592/01	P-BGDKI, S-BGDKLL'	NICAM, 2CS	78x59x50	220-240V	UV1316/A I U-3	See stcker in set								
29PT8306/12R	EM2E		RC2592/01	P-BGDKI, S-BGDKLL'	NICAM, 2CS	78x59x50	220-240V	TUN V+U	See stcker in set								
29PT8306/58R	EM2E		RC2592/01	P-BGDKI, S-BGDKLL'	NICAM, 2CS	78x59x50	220-240V	TUN V+U	See stcker in set								
29PT8306/58R	EM2E		RC2592/01	P-BGDKI, S-BGDKLL'	NICAM, 2CS	78x59x50	220-240V	TUN V+U	See stcker in set								
29PT8319/57R	EM1A		SBHV00022A	P-BGDKIMN, S-BGDKK1, N-M	N-BGDKI, 2SC-BG	81x50x52	160-276V	TEDE9X002A	See stcker in set								
29PT8319/93R	EM1A		SBHV00022A	P-BGDKIMN, S-BGDKK1, N-M	N-BGDKI, 2SC-BG	81x50x52	160-276V	TEDE9X003A	See stcker in set								
29PT8346/12	EM2E		RC2592/01	P-BGDKI, S-BGDKLL'	NICAM, 2CS	78x59x50	220-240V	TUN V+U	See stcker in set								
29PT8424/58	MD2.25E		RC2009/01	P-BGDK, S-BGDKLL, N-M	NICAM, 2CS	78x59x50	220-240V	UV916S	See stcker in set								
29PT9006/12	MG2.1E		RC2592/01B	P-BGDKI, S-BGDKLL'	NICAM BGLI Dolby	76x59x50	220-240V	UV1316/A I-2	See stcker in set								
29PT9006/12R	MG2.1E		RC2592/01B	P-BGDKI, S-BGDKLL'	NICAM BGLI Dolby	76x59x50	220-240V	UV1316/A I-3	See stcker in set								
29PT9006/19	MG2.1E		RC2592/01B	P-BGDKI, S-BGDKLL'	NICAM BGLI Dolby	76x59x50	220-240V	UV1316/A I-2	See stcker in set								
29PT9006/19R	MG2.1E		RC2592/01B	P-BGDKI, S-BGDKLL'	NICAM BGLI Dolby	76x59x50	220-240V	UV1316/A I-3	See stcker in set								
29PT9006/58R	MG2.1E		RC2592/01B	P-BGDKI, S-BGDKLL'	NICAM BGLI Dolby	76x59x50	220-240V	UV1316/A I-2	See stcker in set								
29PT9046/12	MG2.1E		RC2031/01B	P-BGDKI, S-BGDKLL'	NICAM BGLI	76x59x50	220-240V	UV1316/A I-3	See stcker in set								
29PT9046/12R	MG2.1E		RC2031/01B	P-BGDKI, S-BGDKLL'	NICAM BGLI	76x59x50	220-240V	UV1316/A I-3	See stcker in set								
29PT9046/58R	MG2.1E		RC2031/01B	P-BGDKI, S-BGDKLL'	NICAM BGLI	76x59x50	220-240V	UV1316/A I-3	See stcker in set								
29PT9416/12	MG3.1E		RC2033/01B	P-BGDKI, S-BGDKLL'	NICAM BGLI Dolby	76x59x50	220-240V	UV1316/A I-3	See stcker in set								
29PT9416/12R	MG3.1E		RC2033/01B	P-BGDKI, S-BGDKLL'	NICAM BGLI Dolby	76x59x50	220-240V	UV1316/A I-3	See stcker in set								
29PT9416/58R	MG3.1E		RC2033/01B	P-BGDKI, S-BGDKLL'	NICAM BGLI Dolby	76x59x50	220-240V	UV1316/A I-2	See stcker in set								
29PT9418/57T	MG3.1A		RC2012/01	P-BGDK, S-BGDK, N-M	N-BGLI Dolby	76x59x50	160-276V	UV915E/MK3	See stcker in set								
29PT9418/69T	MG3.1A		RC2012/01	P-BGDKI, S-BGDK, N-M	N-BGLI Dolby	76x59x50	160-276V	UV1316/A P-3	See stcker in set								
29PT9418/79T	MG3.1A		RC2012/01	P-BGDKI, S-BGDK, N-M/4.43	NICAM BGLI Dolby	76x59x50	160-276V	UV1316/A P-3	See stcker in set								

Model number survey

MODEL	STYLING	CHASSIS	RC	SYSTEM	SOUND			SIZE		VOLT RANGE	TUNER	OPTION CODES					
				P...=PAL S...=SECAM N...=NTSC	N...=NICAM F...=FM/FM		wxhxd (cm)					1 2 3 4 5 6 7					
29PT9418/931		MG3.1A	RC2012/01	P-BGDKI, S-BGDKN/M/4.43	NICAM BGLI Dolby		76x59x50		160-276V		UV1316/A P-3	See sticker in set					
30PW9815/17	219	MG3.1U	RC2035/01	N-M	BTSC-DBX		79x51x49		110V		UV1336B/A P-S	See sticker in set					
32DW9625/05	224	MG4.1E	RC2038/01B	P-BGDKI, S-BGDKLL'	NICAM BGLI Dolby		89x60x55		220-240V		UV1316/A P-3	See sticker in set					
32DW9625/05R	294	MG4.1E	RC2038/01B	P-BGDKI, S-BGDKLL'	N-BGDKIL, F-BG/Czech		89x60x55		220-240V		UV1316/A P-3	See sticker in set					
32PW6005/01	252	A10E	RC2563/01	P-BGDKI, S-BGDKLL'	NICAM, 2CS		92x57x56		220-240V		TUN V+U	See sticker in set					
32PW6005/01	252	A10E	RC2563/01	P-BGDKI, S-BGDKLL'	N-BGDKIL, 2CS BG, BI N BG		92x57x56		220-240V		TUN V+U	See sticker in set					
32PW6005/05	252	A10E	RC2563/01	P-BGDKI, S-BGDKLL'	N-BGDKIL, 2CS BG, BI N BG		92x57x56		220-240V		TUN V+U	See sticker in set					
32PW6304/20	188	A8.0E	RC2541/01	P-BG	2CS STEREO		76x59x51		220-240V		TEDE9-004A	See sticker in set					
32PW6305/01	291	A10E	RC2563/01	P-BGDKI, S-BGDKLL'	N-BGDKIL, 2CS BG, BI N BG		92x57x56		220-240V		TUN V+U	See sticker in set					
32PW6305/05	291	A10E	RC2563/01	P-BGDKI, S-BGDKLL'	N-BGDKIL, 2CS BG, BI N BG		92x57x56		220-240V		TUN V+U	See sticker in set					
32PW6305/58	291	A10E	RC2563/01	P-BGDKI, S-BGDKLL'	NICAM, 2CS		92x57x56		160-276V		TUN V+U	See sticker in set					
32PW6315/01	298	A10E	RC2563/01	P-BGDKI, S-BGDKLL'	BI-Nicam, N-BGDKIL, 2SC-BG		92x57x56		220-240V		TEDE9-004A	See sticker in set					
32PW6315/05	298	A10E	RC2563/01	P-BGDKI, S-BGDKLL'	BI-Nicam, N-BGDKIL, 2SC-BG		92x57x56		220-240V		TEDE9-004A	See sticker in set					
32PW6324/21	188	A8.0E	RC2541/01	P-BGI, S-BGLL'	NICAM, 2CS		76x59x51		220-240V		TEDE9-004A	See sticker in set					
32PW6324/25	188	A8.0E	RC2541/01	P-BGI, S-BGLL'	NICAM, 2CS		76x59x51		220-240V		TEDE9-004A	See sticker in set					
32PW6515/01	260	A10E	RC2563/01	P-BGDKI, S-BGDKLL'	NICAM, 2CS		92x57x56		220-240V		TUN V+U	See sticker in set					
32PW6515/05	260	A10E	RC2563/01	P-BGDKI, S-BGDKLL'	NICAM, 2CS		92x57x56		220-240V		TUN V+U	See sticker in set					
32PW6515/58	260	A10E	RC2563/01	P-BGDKI, S-BGDKLL'	NICAM, 2CS		92x57x56		160-276V		TUN V+U	See sticker in set					
32PW8206/12	296	EM2E	RC2592/01	P-BGDKI, S-BGDKLL'	NICAM, 2CS		86x55x56		220-240V		UV1316/A I U-3	See sticker in set					
32PW8206/12R	296	EM2E	RC2592/01	P-BGDKI, S-BGDKLL'	NICAM, 2CS		86x55x56		220-240V		UV1316/A I U-3	See sticker in set					
32PW8406/12	296	EM2E	RC2592/01	P-BGDKI, S-BGDKLL'	NICAM, 2CS		86x55x56		220-240V		UV1316/A I U-3	See sticker in set					
32PW8406/12R	296	EM2E	RC2592/01	P-BGDKI, S-BGDKLL'	NICAM, 2CS		86x55x56		220-240V		UV1316/A I U-3	See sticker in set					
32PW8505/12	227	MG2.1E	RC2020/01	P-BGDKI, S-BGDKLL'	NICAM-BGLI		86x53x55		220V		UV1316/A I-2	See sticker in set					
32PW8505/12S	227	MG2.1E	RC2020/01	P-BGDKI, S-BGDKLL'	NICAM-BGLI		86x53x55		220V		UV1316/A I-2	See sticker in set					
32PW8505/19	227	MG2.1E	RC2020/01	P-BGDKI, S-BGDKLL'	NICAM-BGLI		86x53x55		220V		UV1316/A I-2	See sticker in set					
32PW8505/58	227	MG2.1E	RC2020/01	P-BGDKI, S-BGDKLL'	NICAM-BGLI		86x53x55		220V		UV1316/A I-2	See sticker in set					
32PW8506/12	296	EM2E	RC2592/01	P-BGDKI, S-BGDKLL'	NICAM, 2CS		86x55x56		220-240V		UV1316/A I U-3	See sticker in set					
32PW8506/12R	296	EM2E	RC2592/01	P-BGDKI, S-BGDKLL'	NICAM, 2CS		86x55x56		220-240V		UV1316/A I U-3	See sticker in set					
32PW8506/19	296	EM2E	RC2592/01	P-BGDKI, S-BGDKLL'	NICAM, 2CS		86x55x56		220-240V		UV1316/A I U-3	See sticker in set					
32PW8506/58	296	EM2E	RC2592/01	P-BGDKI, S-BGDKLL'	NICAM, 2CS		86x55x56		220-240V		UV1316/A I U-3	See sticker in set					
32PW8806/58R	296	EM2E	RC2592/01	P-BGDKI, S-BGDKLL'	NICAM, 2CS		86x55x56		220-240V		UV1316/A I U-3	See sticker in set					
32PW8806/12	266	MG2.1E	RC2592/01B	P-BGDKI, S-BGDKLL'	NICAM BGLI		86x56x55		220-240V		UV1316/A I-2	See sticker in set					
32PW8806/12R	266	MG2.1E	RC2592/01B	P-BGDKI, S-BGDKLL'	N-BGDKIL, F-BG/Czech		86x56x55		220-240V		UV1316/A I-2	See sticker in set					
32PW8806/19	266	MG2.1E	RC2592/01B	P-BGDKI, S-BGDKLL'	NICAM BGLI		86x56x55		220-240V		UV1316/A I-3	See sticker in set					
32PW8806/58	266	MG2.1E	RC2592/01B	P-BGDKI, S-BGDKLL'	NICAM BGLI		86x56x55		220-240V		UV1316/A I-2	See sticker in set					
32PW8806/58R	266	MG2.1E	RC2592/01B	P-BGDKI, S-BGDKLL'	N-BGDKIL, F-BG/Czech		86x56x55		220-240V		UV1316/A I-2	See sticker in set					
32PW8806/79R	266	MG2.1E	RC2592/01B	P-BGDKI, S-BGDKLL'	NICAM BGLI		86x56x55		220-240V		UV1316/A I-3	See sticker in set					
32PW8806/19	229	MG3.1E	RC2020/01B	P-BGDKI, S-BGDKLL'	N-BGDKIL, F-BG/Czech		86x56x55		220-240V		UV1316/A I-3	See sticker in set					
32PW9525/05L	229	MG7.1E	RC2033/01B	P-BGDKI, S-BGDKLL'	NICAM BGLI Dolby		89x60x55		220-240V		UV1316/A I-2	See sticker in set					
32PW9525/05R	229	MG7.1E	RC2033/01B	P-BGDKI, S-BGDKLL'	N-BGDKIL, F-BG/Czech		89x60x55		220-240V		UV1316/A P-3	See sticker in set					
32PW9525/12R	229	MG7.1E	RC2033/01B	P-BGDKI, S-BGDKLL'	NICAM BGLI Dolby		89x60x55		220-240V		UV1316/A I-2	See sticker in set					
32PW9525/19L	229	MG7.1E	RC2033/01B	P-BGDKI, S-BGDKLL'	N-BGDKIL, F-BG/Czech		89x60x55		220-240V		UV1316/A I-2	See sticker in set					
32PW9525/58L	229	MG7.1E	RC2033/01B	P-BGDKI, S-BGDKLL'	NICAM BGLI Dolby		89x60x55		220-240V		UV1316/A I-2	See sticker in set					
32PW9525/58R	229	MG7.1E	RC2033/01B	P-BGDKI, S-BGDKLL'	N-BGDKIL, F-BG/Czech		89x60x55		220-240V		UV1316/A P-3	See sticker in set					
32PW9536/05	302	MG7.1E	RC2031/01B	P-BGDKI, S-BGDKLL'	NICAM BGLI Dolby		89x60x55		220-240V		UV1316/A I-3	See sticker in set					
32PW9536/05R	302	MG7.1E	RC2031/01B	P-BGDKI, S-BGDKLL'	N-BGDKIL, F-BG/Czech		89x60x55		220-240V		UV1316/A I-3	See sticker in set					
32PW9536/12	302	MG7.1E	RC2031/01B	P-BGDKI, S-BGDKLL'	NICAM BGLI Dolby		89x60x55		220-240V		UV1316/A I-3	See sticker in set					

Model number survey

MODEL	STYLING	CHASSIS	RC	SYSTEM	SOUND			SIZE	VOLT RANGE		TUNER	OPTION CODES					
				P...=PAL S...=SECAM N...=NTSC	N...=NICAM F...=FM/FM	h w d	h w d	wxhxd (cm)				1 2 3 4 5 6 7					
32PW9536/12R	302	MG7.1E	RC2031/01B	P-BGDKI,S-BGDKLL'	N-BGDKIL,F-BG/Czech	39x60x55	39x60x55	220-240V	220-240V	UV1316/A I-3	See sticker in set						
32PW9536/19	302	MG7.1E	RC2031/01B	P-BGDKI,S-BGDKLL'	NICAM BGLI Dolby	39x60x55	39x60x55	220-240V	220-240V	UV1316/A I-3	See sticker in set						
32PW9536/58	302	MG7.1E	RC2031/01B	P-BGDKI,S-BGDKLL'	N-BGDKIL,F-BG/Czech	39x60x55	39x60x55	220-240V	220-240V	UV1316/A I-3	See sticker in set						
32PW9544/58M	302	MG7.1E	RC2031/01B	P-BGDKI,S-BGDKLL'	NICAM BGLI Dolby	97x55x56	97x55x56	220-240V	220-240V	UV1316/A I-2	See sticker in set						
32PW9546/05R	302	MG7.1E	RC2031/01B	P-BGDKI,S-BGDKLL'	N-BGDKIL,F-BG/Czech	39x60x55	39x60x55	220-240V	220-240V	UV1316/A I-3	See sticker in set						
32PW9546/12	302	MG7.1E	RC2031/01B	P-BGDKI,S-BGDKLL'	NICAM BGLI Dolby	39x60x55	39x60x55	220-240V	220-240V	UV1316/A I-3	See sticker in set						
32PW9546/19R	302	MG7.1E	RC2031/01B	P-BGDKI,S-BGDKLL'	N-BGDKIL,F-BG/Czech	39x60x55	39x60x55	220-240V	220-240V	UV1316/A I-3	See sticker in set						
32PW9546/58	302	MG7.1E	RC2031/01B	P-BGDKI,S-BGDKLL'	N-BGDKIL,F-BG/Czech	39x60x55	39x60x55	220-240V	220-240V	UV1316/A I-3	See sticker in set						
32PW9556/05R	295	MG2.1E	RC2031/01B	P-BGDKI,S-BGDKLL'	N-BGDKIL,F-BG/Czech	98x93x57	98x93x57	220-240V	220-240V	UV1316/A I-3	See sticker in set						
32PW9556/12R	295	MG2.1E	RC2031/01B	P-BGDKI,S-BGDKLL'	N-BGDKIL,F-BG/Czech	98x93x57	98x93x57	220-240V	220-240V	UV1316/A I-3	See sticker in set						
32PW9556/19R	295	MG3.1E	RC2031/01	P-BGDKI,S-BGDKLL'	N-BGDKIL,F-BG/Czech	98x93x57	98x93x57	220-240V	220-240V	UV1316/A I-3	See sticker in set						
32PW9556/05R	295	MG2.1E	RC2031/01B	P-BGDKI,S-BGDKLL'	N-BGDKIL,F-BG/Czech	98x93x57	98x93x57	220-240V	220-240V	UV1316/A I-3	See sticker in set						
32PW9566/12R	295	MG2.1E	RC2031/01B	P-BGDKI,S-BGDKLL'	N-BGDKIL,F-BG/Czech	98x93x57	98x93x57	220-240V	220-240V	UV1316/A I-3	See sticker in set						
32PW9566/19R	295	MG2.1E	RC2031/01B	P-BGDKI,S-BGDKLL'	N-BGDKIL,F-BG/Czech	98x93x57	98x93x57	220-240V	220-240V	UV1316/A I-3	See sticker in set						
32PW9566/58R	295	MG2.1E	RC2031/01B	P-BGDKI,S-BGDKLL'	N-BGDKIL,F-BG/Czech	98x93x57	98x93x57	220-240V	220-240V	UV1316/A I-3	See sticker in set						
32PW9616/01R	229	MG3.1E	RC2033/01B	P-BGDKI,S-BGDKLL'	NICAM BGLI Dolby	39x60x55	39x60x55	220-240V	220-240V	UV1316/A I-2	See sticker in set						
32PW9616/05R	229	MG3.1E	RC2033/01B	P-BGDKI,S-BGDKLL'	NICAM BGLI Dolby	39x60x55	39x60x55	220-240V	220-240V	UV1316/A I-2	See sticker in set						
32PW9616/12	229	MG3.1E	RC2033/01B	P-BGDKI,S-BGDKLL'	N-BGDKIL,F-BG/Czech	39x60x55	39x60x55	220-240V	220-240V	UV1316/A I-2	See sticker in set						
32PW9616/12R	229	MG3.1E	RC2033/01B	P-BGDKI,S-BGDKLL'	NICAM BGLI Dolby	39x60x55	39x60x55	220-240V	220-240V	UV1316/A I-2	See sticker in set						
32PW9616/19	229	MG3.1E	RC2033/01B	P-BGDKI,S-BGDKLL'	NICAM BGLI Dolby	39x60x55	39x60x55	220-240V	220-240V	UV1316/A I-2	See sticker in set						
32PW9616/19R	229	MG3.1E	RC2033/01B	P-BGDKI,S-BGDKLL'	N-BGDKIL,F-BG/Czech	39x60x55	39x60x55	220-240V	220-240V	UV1316/A I-2	See sticker in set						
32PW9765/01R	229	MG3.1E	RC2033/01B	P-BGDKI,S-BGDKLL'	NICAM BGLI Dolby	39x60x55	39x60x55	220-240V	220-240V	UV1316/A I-2	See sticker in set						
32PW9765/12	229	MG3.1E	RC2033/01B	P-BGDKI,S-BGDKLL'	NICAM BGLI Dolby	39x60x55	39x60x55	220-240V	220-240V	UV1316/A I-2	See sticker in set						
32PW9765/19R	229	MG3.1E	RC2033/01B	P-BGDKI,S-BGDKLL'	N-BGDKIL,F-BG/Czech	39x60x55	39x60x55	220-240V	220-240V	UV1316/A I-2	See sticker in set						
32PW9765/58	229	MG3.1E	RC2033/01B	P-BGDKI,S-BGDKLL'	NICAM BGLI Dolby	39x60x55	39x60x55	220-240V	220-240V	UV1316/A I-2	See sticker in set						
34PT4822/71R	277	L9.1A	RC282904/01	N-M	N-BGDKIL,F-BG/Czech	88x69x55	88x69x55	90-276V	90-276V	UV1316/A I-2	See sticker in set	160	227	135	119*	254	208
34PT4873/56A	277	L9.1A	RC283510/01	P-MULTI	AV STEREO, BTSC-DBX	88x69x57	88x69x57	90-276V	90-276V	TEDH9X001A	See sticker in set	224	195	135	115*	254	204
34PT4873/57R	277	L9.1A	RC283510/01	P-MULTI	BI NICAM,AV STEREO	88x69x57	88x69x57	90-276V	90-276V	UV1316/A I-2	See sticker in set	224	195	135	115*	254	204
34PT4873/69R	277	L9.1A	RC283510/01	P-MULTI	BI NICAM,AV STEREO	88x69x57	88x69x57	90-276V	90-276V	UV1316/A I-2	See sticker in set	224	195	135	115*	254	204
34PT4873/79R	277	L9.1A	RC283510/01	P-MULTI	BI NICAM,AV STEREO	88x69x57	88x69x57	150-276V	150-276V	UV1316/A I-2	See sticker in set	224	195	135	115*	254	204
34PT6361/57R	297	A10A	SBHV00020A	P-BGDKI, S-BGDK, N-MN	N-BGDKI,2SC-BG	89x68x55	89x68x55	90-276V	90-276V	TEDE9-031A	See sticker in set	123	253	255	159	246	0
34PT6361/61R	297	A10A	RC2511/01	N-M	2CS-Korea	89x68x55	89x68x55	90-276V	90-276V	TEDH9X002A	See sticker in set	123	254	253	255	96	0
34PT6361/69R	297	A10A	SBHV00020A	P-BGDKI, S-BGDK, N-MN	N-BGDKI,2SC-BG	89x68x55	89x68x55	90-276V	90-276V	TEDE9-031A	See sticker in set	123	253	255	159	246	0
34PT6361/71R	297	A10A	RC2511/01	N-M	B-DBX	89x68x55	89x68x55	90-276V	90-276V	TEDH9X002A	See sticker in set	123	254	253	255	96	0
34PT6361/79R	297	A10A	SBHV00020A	P-BGDKI, S-BGDK, N-MN	N-BGDKI,2SC-BG	89x68x55	89x68x55	160-276V	160-276V	TEDE9-031A	See sticker in set	123	253	255	159	246	0
34PW9815/17	243	MG3.1U	RC2035/01	N-M	B-DBX	93x64x58	93x64x58	90-276V	110V	TEDH9X002A	See sticker in set	123	254	253	255	96	0
34PW9815/97R	243	MG3.1U	RC2035/01	N-M	B-DBX	93x64x58	93x64x58	90-276V	110V	UV1336B/A P S	See sticker in set	See sticker in set					

Model number survey

MODEL	STYLING	CHASSIS	RC	SYSTEM	SOUND	IMAGE	SIZE	VOLT RANGE	TUNER	OPTION CODES						
										1	2	3	4	5	6	7
34PW9846/17		MG3.1U	RC2008/01	N-M	B-DBX		93x64x58	110V	UV1336B/A P-S							
36PW9525/05	243	MG3.1E	RC2008/01	P-BGDKI, S-BGDKLL'	NICAM BGLI Dolby		93x64x58	220V	UV1316/A I-2	See sticker in set						
36PW9525/05R	243	MG3.1E	RC2033/01B	P-BGDKI, S-BGDKLL'	N-BGDKIL, F-BG/Czech		93x64x58	220-240V	UV1316/A P-3	See sticker in set						
36PW9525/12	243	MG3.1E	RC2008/01	P-BGDKI, S-BGDKLL'	NICAM BGLI Dolby		93x64x58	220V	UV1316/A I-2	See sticker in set						
36PW9525/12R	243	MG3.1E	RC2033/01B	P-BGDKI, S-BGDKLL'	N-BGDKIL, F-BG/Czech		93x64x58	220-240V	UV1316/A P-3	See sticker in set						
36PW9525/19	243	MG3.1E	RC2008/01	P-BGDKI, S-BGDKLL'	NICAM BGLI Dolby		93x64x58	220V	UV1316/A I-2	See sticker in set						
36PW9525/19R	243	MG3.1E	RC2033/01B	P-BGDKI, S-BGDKLL'	N-BGDKIL, F-BG/Czech		93x64x58	220-240V	UV1316/A P-3	See sticker in set						
36PW9525/57R	243	MG3.1E	RC2033/01B	P-BGDKI, S-BGDKLL'	NICAM BGLI Dolby		93x64x58	220-240V	UV1316/A I-2	See sticker in set						
36PW9525/58R	243	MG3.1E	RC2008/01	P-BGDKI, S-BGDKLL'	NICAM BGLI Dolby		93x64x58	220V	UV1316/A I-2	See sticker in set						
36PW9525/69R	243	MG3.1E	RC2033/01B	P-BGDKI, S-BGDKLL'	N-BGDKIL, F-BG/Czech		93x64x58	220-240V	UV1316/A P-3	See sticker in set						
36PW9525/79R	243	MG3.1E	RC2033/01B	P-BGDKI, S-BGDKLL'	N-BGDKIL, F-BG/Czech		93x64x58	220-240V	UV1316/A P-3	See sticker in set						
36PW9765/01R	243	MG3.1E	RC2033/01B	P-BGDKI, S-BGDKLL'	NICAM BGLI Dolby		93x64x58	220-240V	UV1316/A I-2	See sticker in set						
36PW9765/05	243	MG3.1E	RC2033/01B	P-BGDKI, S-BGDKLL'	NICAM BGLI Dolby		93x64x58	220V	UV1316/A I-2	See sticker in set						
36PW9765/12	243	MG3.1E	RC2033/01B	P-BGDKI, S-BGDKLL'	NICAM BGLI		93x64x58	220V	UV1316/A I-2	See sticker in set						
36PW9765/12R	243	MG3.1E	RC2033/01B	P-BGDKI, S-BGDKLL'	N-BGDKIL, F-BG/Czech		93x64x58	220-240V	UV1316/A P-3	See sticker in set						
36PW9765/19	243	MG3.1E	RC2033/01B	P-BGDKI, S-BGDKLL'	NICAM BGLI Dolby		93x64x58	220V	UV1316/A I-2	See sticker in set						
36PW9765/19R	243	MG3.1E	RC2033/01B	P-BGDKI, S-BGDKLL'	N-BGDKIL, F-BG/Czech		93x64x58	220-240V	UV1316/A P-3	See sticker in set						
36PW9765/58	243	MG3.1E	RC2033/01B	P-BGDKI, S-BGDKLL'	NICAM BGLI Dolby		93x64x58	220-240V	UV1316/A I-2	See sticker in set						
36PW9765/58R	243	MG3.1E	RC2033/01B	P-BGDKI, S-BGDKLL'	N-BGDKIL, F-BG/Czech		93x64x58	220-240V	UV1316/A P-3	See sticker in set						
37TA1220/58	239	L6.1	RC0205/00	P-BG, S-LL	MONO		36x35x37	220-240V	UV915E/MK3	See sticker in set						
37TA1274/03	233	L9.2E	RC282401/01	P-BG	MONO		50x47x46	100-250V	UV1316/A I-2	See sticker in set						
37TA1274/05	233	L9.2E	RC282401/01	P-I	MONO		50x47x46	100-250V	UV1316/A I-2	See sticker in set						
37TA1274/08	233	L9.2E	RC282401/01	P-BG	MONO		50x47x46	100-250V	UV1316/A I-2	See sticker in set						
37TA1274/11	233	L9.2E	RC282401/01	P-BG	MONO		50x47x46	100-250V	UV1316/A I-2	See sticker in set						
37TA1274/16	233	L9.2E	RC282401/01	P-BG	MONO		50x47x46	100-250V	UV1316/A I-2	See sticker in set						
37TA1474/03	233	L9.2E	RCL9ED	P-BG	NICAM, 2CS		50x47x46	100-250V	UV1316/A I-2	See sticker in set						
37TA1474/05	233	L9.2E	RCL9ED	P-I	NICAM, 2CS		50x47x46	100-250V	UV1316/A I-2	See sticker in set						
37TA1474/16	233	L9.2E	RCL9ED	P-BG	NICAM, 2CS		50x47x46	100-250V	UV1316/A I-2	See sticker in set						
37TA1474/18	233	L9.2E	RCL9ED	P-BG	NICAM, 2CS		50x47x46	100-250V	UV1316/A I-2	See sticker in set						
37TB1254/19	233	L9.2E	RC282401/01	P-BG, S-BGLL'	MONO		50x47x46	220-240V	UV1316/A I-2	See sticker in set						
420P10/00	235b	FTV1.9DE	RC0333/01				122x67x16	95-264V		See sticker in set						
42FD9932/01G	235b	FTV1.9DE	RC8106/01				122x67x16	90-276V		See sticker in set						
42FD9932/01S	235b	FTV1.9DE	RC0333/01				122x67x16	90-276V		See sticker in set						
42FD9932/17G	235b	FTV1.9DE	RC8106/01				122x67x16	90-276V		See sticker in set						
42FD9932/69G	235b	FTV1.9DE	RC8106/01				122x67x16	90-276V		See sticker in set						
42PF9952/12S	235	FTV1.9-Set	RC8106/01	N-MN, PAL 4.43, SECAM	N-B/G, 2CS-BG		122x67x16	95-264V	FQ916ME	See sticker in set						
42PF9952/19S	235	FTV1.9-Set	RC0333/01	N-MN, PAL 4.43, SECAM	N-BGLI, 2CS-BG		122x67x16	95-264V	FQ916DMF	See sticker in set						
42PW9962/17	**	FTV1.5E	RC8109/01	N-M	BTSC		119x75x12	110V	F-S936E	See sticker in set						
42PW9982/69	**	FTV1.5E	RC8108/01	P-BGDKI, S-BGDK, N-M/4.43	NICAM BGLI		119x75x12	90-276V	FV916MG/PH	See sticker in set						
51TA1262/18	239	L6.1	RC0205/00	P-BG, S-BGL	MONO		50x47x48	220-240V	UV915E/MK3	See sticker in set						
51TA1274/05	285	L9.2E	RC282401/01	P-I	MONO		50x47x46	220-240V	UV1316/A I-2	See sticker in set						
51TA1462/03	239	L6.1	RC0311/00	P-BG	MONO		50x47x48	220-240V	UV915E/MK3	See sticker in set						
51TA1474/03	285	L9.2E	RCL9ED	P-BG	MONO		50x47x46	220-240V	UV1316/A I-2	See sticker in set						
51TA1474/05	285	L9.2E	RCL9ED	P-I	MONO		50x47x46	220-240V	UV1316/A I-2	See sticker in set						
51TA1474/11	285	L9.2E	RCL9ED	P-BG	MONO		50x47x46	220-240V	UV1316/A I-2	See sticker in set						
51TA1474/16	285	L9.2E	RCL9ED	P-BG	MONO		50x47x46	220-240V	UV1316/A I-2	See sticker in set						
51TA1474/18	285	L9.2E	RCL9ED	P-BG, S-BGLL'	MONO		50x47x46	220-240V	UV1316/A I-2	See sticker in set						
52TA1420/43	239	L6.1	RC0311/00	P-BGDK, S-BG	MONO		51x48x48	220-240V	UV915E/MK3	See sticker in set						
52TA1420/58	239	L6.1	RC0311/00	P-BGDK, S-BG	MONO		51x48x48	220-240V	UV915E/MK3	See sticker in set						

Model number survey

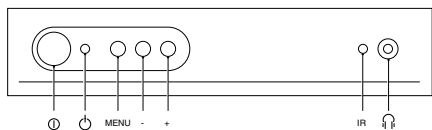
MODEL	STYLING	CHASSIS	RC	SYSTEM	SOUND	SIZE	VOLT RANGE	TUNER	OPTION CODES
						wxhxd (cm)			1 2 3 4 5 6 7
52TA1464/18	288	L9.2E	RCL9ED	P-BGI, S-BGILL'	MONO	50x47x46	100-250V	UV1316/A I-2	See sticker in set
52TA1474/03	288	L9.2E	RCL9ED	P-BG	NICAM, 2CS	50x47x46	100-250V	UV1316/A I-2	See sticker in set
52TA1474/11	288	L9.2E	RCL9ED	P-BG	NICAM, 2CS	50x47x46	100-250V	UV1316/A I-2	See sticker in set
52TA1474/16	288	L9.2E	RCL9ED	P-BG	NICAM, 2CS	50x47x46	100-250V	UV1316/A I-2	See sticker in set
52TA1474/18	288	L9.2E	RCL9ED	P-BGI, S-BGILL'	MONO	50x47x46	100-250V	UV1316/A I-2	See sticker in set
52TA1474/23	288	L9.2E	RCL9ED	P-BG	MONO	50x47x46	220-240V	UV1316/A I-2	See sticker in set
52TA1474/31	288	L9.2E	RCL9ED	P-BGI, S-L'	MONO	50x47x46	220-240V	UV1316/A I-2	See sticker in set
52TA1474/36	288	L9.2E	RCL9ED	P-BG	MONO	50x47x46	220-240V	UV1316/A I-2	See sticker in set
52TA4415/03	287	L9.2E	RCL9ED	P-BG	NICAM, 2CS	55x47x50	100-250V	UV1316/A I-2	See sticker in set
52TA4415/11	286	L9.2E	RCL9ED	P-BG	NICAM, 2CS	55x47x50	100-250V	UV1316/A I-2	See sticker in set
52TA4415/18	286	L9.2E	RCL9ED	P-BGI, S-BGILL'	NICAM, 2CS	55x47x50	100-250V	UV1316/A I-2	See sticker in set
52TB1454/19	288	L9.2E	RCL9ED	P-BGI, S-BGILL'	MONO	50x47x46	100-250V	UV1316/A I-2	See sticker in set
52TB4395/19	286	L9.2E	RCL9ED	P-BGI, S-BGILL'	NICAM	55x47x50	100-250V	UV1316/A I-2	See sticker in set
55PP9501/05	228	MG5.1E	RC2030/01	P-BGDKI, S-BGDKLL'	NICAM BGLI Dolby				
55PP9501/69	228	MG5.1E	RC2030/01	P-BGDKI, S-BGDKLL'	N-BGLI Dolby				
55PP9501/79	228	MG5.1E	RC2030/01	P-BGDKI, S-BGDKLL'	N-BGLI Dolby				
63TA4415/03	292	L9.1E	RCL9ED	P-BG	NICAM, 2CS	76x51x58	90-276V	TEDE9-004A	See sticker in set
63TA4415/11	292	L9.1E	RCL9ED	P-BG	NICAM, 2CS	76x51x58	90-276V	TEDE9-004A	See sticker in set
63TA4415/18	292	L9.1E	RCL9ED	P-BGI, S-BGILL'	N-BGIL, 2CS-BG, MONO	76x51x58	90-276V	TEDE9-004A	See sticker in set
63TA4415/38	292	L9.1E	RCL9ED	P-BGI, S-BGILL'	N-BGIL, 2CS-BG, MONO	66x54x47	150-276V	TEDE9-004A	See sticker in set
63TA5215/03	250	L9.1E	RCL9ED	P-BG	MONO	69x55x48	150-276V	TEDE9-004A	See sticker in set
63TA5215/11	250	L9.1E	RCL9ED	P-BGI, S-BGILL'	MONO	69x55x48	150-276V	TEDE9-004A	See sticker in set
63TA5215/18	250	L9.1E	RCL9ED	P-BGI, S-BGILL'	MONO	69x55x48	150-276V	TEDE9-004A	See sticker in set
63TB4395/19	293	L9.1E	RCL9ED	P-BGI, S-BGILL'	NICAM, STEREO	76x51x58	90-276V	TEDE9-004A	See sticker in set
70TA4415/03	293	L9.1E	RCL9ED	P-BG	NICAM, 2CS	76x51x58	90-276V	TEDE9-004A	See sticker in set
70TA4415/11	293	L9.1E	RCL9ED	P-BG	NICAM, STEREO	76x51x58	90-276V	TEDE9-004A	See sticker in set
70TA4415/18	293	L9.1E	RCL9ED	P-BGI, S-BGILL'	N-BGIL, 2CS-BG, MONO	76x51x58	90-276V	TEDE9-004A	See sticker in set
70TA7216/03	261	EM2E	RC2592/00	P-BGDKI, S-BGDKLL'	NICAM, 2CS	76x51x58	220-240V	TUN V+U	See sticker in set
70TA7216/03R	261	EM2E	RC2592/00	P-BGDKI, S-BGDKLL'	NICAM, 2CS	76x51x58	220-240V	TUN V+U	See sticker in set
70TA7216/11	261	EM2E	RC2592/00	P-BGDKI, S-BGDKLL'	NICAM, 2CS	76x51x58	220-240V	TUN V+U	See sticker in set
70TA7216/11R	261	EM2E	RC2592/00	P-BGDKI, S-BGDKLL'	NICAM, 2CS	76x51x58	220-240V	TUN V+U	See sticker in set
70WA6215/03	252	A10E	RCL9ED	P-BGDKI, S-BGDKLL'	N-BGIL, 2CS-BG, MONO	81x50x52	220-240V	TEDE9-004A	See sticker in set
70WA6215/11	252	A10E	RCL9ED	P-BGDKI, S-BGDKLL'	N-BGDKIL, 2CS BG, BI N BG	81x50x52	220-240V	TUN V+U	See sticker in set
70WA6215/18	252	A10E	RCL9ED	P-BGDKI, S-BGDKLL'	N-BGDKIL, 2CS BG, BI N BG	81x50x52	220-240V	TUN V+U	See sticker in set
70WA8416/03	296	EM2E	RC2592/01	P-BGDKI, S-BGDKLL'	NICAM/2CS	77x49x51	220-240V	UV1316/A I U-3	See sticker in set
70WA8416/11	296	EM2E	RC2592/01	P-BGDKI, S-BGDKLL'	NICAM/2CS	77x49x51	220-240V	UV1316/A I U-3	See sticker in set
72TA5215/00	290	L9.1E	RC2525/01	P-BG	N-BG, 2CS-BG, MONO	76x58x51	220-240V	TEDE9-004A	See sticker in set
72TA5215/03	290	L9.1E	RCL9ED	P-BG	N-BG, 2CS-BG, MONO	76x58x51	220-240V	TEDE9-004A	See sticker in set
72TA5215/11	290	L9.1E	RCL9ED	P-BGI, S-BGILL'	N-BGIL, 2CS-BG, MONO	76x58x51	220-240V	TED9X007A	See sticker in set
72TA5215/18	290	L9.1E	RCL9ED	P-BGI, S-BGILL'	N-BGIL, 2CS-BG, MONO	76x58x51	220-240V	TED9X007A	See sticker in set
82WA8416/03	296	EM2E	RC2592/01	P-BGDKI, S-BGDKLL'	NICAM/2CS	77x49x51	220-240V	UV1316/A I U-3	See sticker in set
82WA8416/11	296	EM2E	RC2592/01	P-BGDKI, S-BGDKLL'	NICAM/2CS	77x49x51	220-240V	UV1316/A I U-3	See sticker in set
FTR9952/12	235a	FTV1.9EE	RC8106/01	P-BG, S-BG, N-M	NICAM, 2CS	44x17x34	90-276V	FQ916ME	See sticker in set
FTR9952/12S	235a	FTV1.9EE	RC8106/01	P-BGDKI, S-BGDKLL', N-M	NICAM, 2CS	44x17x34	90-276V	FQ916ME	See sticker in set
FTR9952/19	235a	FTV1.9EE	RC8106/01	P-BGI, S-BGILL'	NICAM, 2CS	44x17x34	90-276V	FQ916DMF	See sticker in set
FTR9952/19S	235a	FTV1.9EE	RC8106/01	P-BGDKI, S-BGDKLL', N-M	NICAM, 2CS	44x17x34	90-276V	FQ916DMF	See sticker in set
FTR9952/58S	235a	FTV1.9EE	RC8106/01	P-BGDKI, S-BGDKLL', N-M	NICAM, 2CS	44x17x34	90-276V	FQ916ME	See sticker in set

*=for PHILIPS tuner, for ALPS tuner add 128

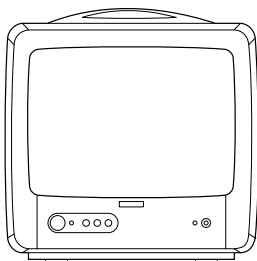
** : see service manual

Personal Notes

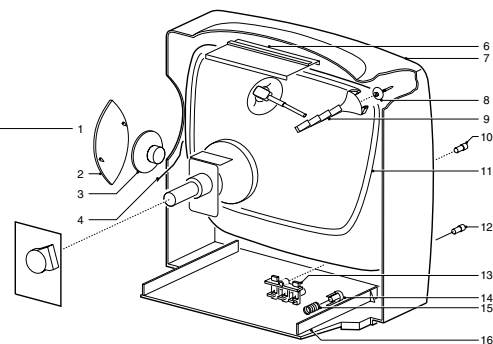
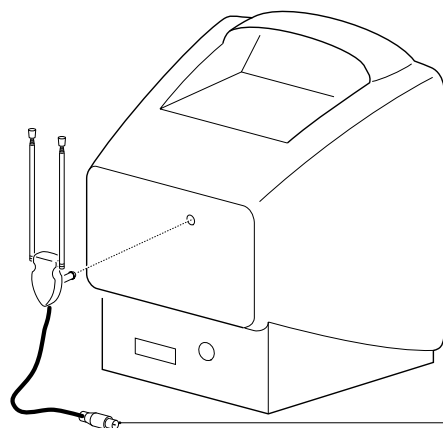
STYLING 039



CL 36532126/014
020993



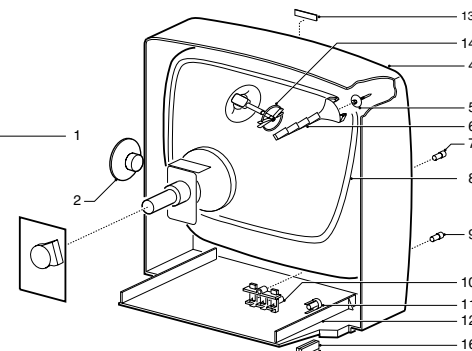
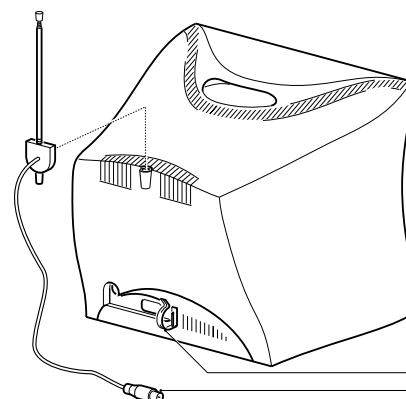
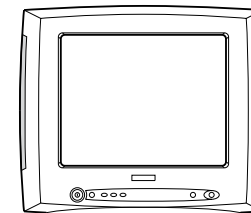
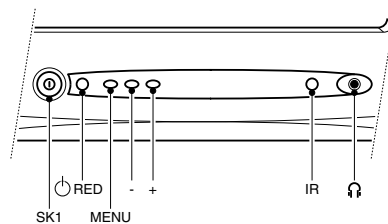
CL 36532126/015
030993



CL 36532126/012
020993

1a*	4822 438 10441	Rear cover	14	4822 410 62957	Mains knob
1b*	4822 438 10487	Rear cover	14de*	4822 410 11889	Mains knob GREEN
1cfg*	4822 442 00674	Rear cover	14g*	3119 104 25303	Mains knob
1e*	4822 426 10673	Rear cover GREEN			
2	4822 458 30659	Grill			
2e*	4822 458 10637	Grill GREEN	15	4822 492 32656	Spring behind mains knob
3	4822 240 30583	Loudspeaker 4" 1W/25 ohm	16	4822 404 31326	PWB guide right
	4822 240 50337	Loudspeaker (14PT1562/43 only), 3W/16 ohm		4822 321 10814	Mains cord
4	4822 492 71439	Spring for loudspeaker		4822 402 10177	Chassis bracket
5a*	4822 303 50077	Aerial assy 2 rod		4822 290 60626	2 Pins female connector for mains cord
5bcddeg*	4822 303 50085	Aerial assy 1 rod		4822 321 10814	Mains cord for -/00 /15
				4822 321 11505	Mains cord for -/05 /07
5	4822 303 30451	Aerial for -/05/25		4822 404 31291	Bracket for mains cord
5f*	4822 303 50085	Aerial		4822 131 20316	Picture tube A34EAC01X45
6	4822 432 93186	EHT cover plate		4822 131 11084	Picture tube A34EAC01X15
7abcdfg*	4822 449 80104	Cabinet		4822 131 11357	Picture tube A34AGT11X91
7e*	4822 449 80271	Cabinet GREEN			
8	4822 502 30739	CRT screw	*a:	14PT135A/14PT155A (Anubis A)	
8cdeg*	4822 502 14398	CRT screw	*b:	14PT135B/14PT155B (AAS)	
9	4822 404 31325	Bracket fix. deg. coil (4x)	*c:	14PT1352 (L6)	
10	4822 381 11453	Lens for RC-receiver	*d:	14PT1552 (L6)	
10eg*	4822 381 11627	Lens for RC-receiver	*e	14PT1372 (L6)	
			*f:	14PT1552/58	
11	4822 157 70585	Degaussing coil	*g:	14PT1562	
11cddeg*	4822 157 11118	Degaussing coil			
12	4822 381 11452	Lens for LED			
13	4822 410 11891	Control knob frame			
13g*	4822 410 62958	Control knob frame			

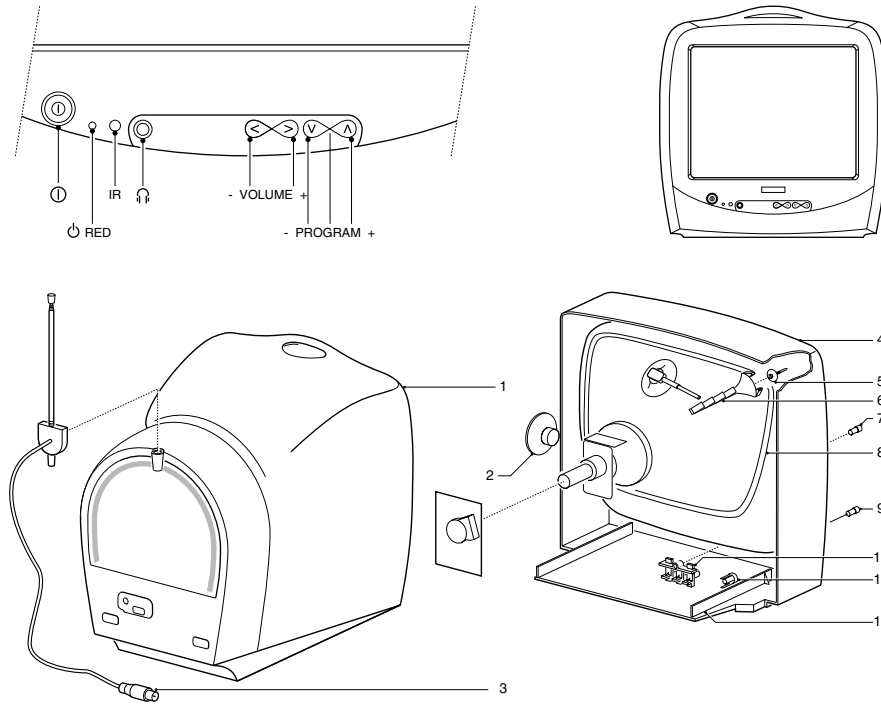
STYLING 158



STYLING 158AJ
031100

1	4822 426 10469	Rear cover	4d*	3111 254 09350	Cabinet ice blue
1b*	4822 426 10592	Rear cover for /11W version	5	4822 502 13712	CRT screw
1ab*	3111 254 09420	Rear cover metallic blue	5a*	3119 100 42091	CRT screw
1ab*	3111 254 09400	Rear cover champagne	6	3111 254 23481	Clamp
1ab*	3111 254 09380	Rear cover medium green	7	4822 381 11888	IR Lens
1ab*	4822 426 10692	Rear cover silver	7a*	311 254 22061	IR lens
1b*	3111 254 09420	Rear cover metallic blue	8	4822 157 11118	Degaussing coil
1b*	3111 254 09480	Rear cover bronze	9	3111 254 22051	STBY lens
1c*	4822 426 10568	Rear cover	10	4822 464 10326	Knob frame
1d*	3111 257 55260	Rear cover ice blue	10ab*	3111 254 09342	Knob frame silver
2	4822 240 10237	Loudspeaker	11	4822 410 11213	Mains knob
2c*	4822 240 10105	Loudspeaker	11b*	3111 254 09332	Mains knob
3	4822 303 30491	Aerial		4822 492 32656	Spring for mains knob
3	4822 303 91283	Aerial for /05 version	12	4822 463 11146	Right PCB guide
3a*	3119 108 68281	Single rod aerial	12a*	3119 104 27301	Right PCB guide
			13	3111 254 22021	Cover plate (in top of rear cover)
4a*	4822 449 80167	Cabinet	14	3111 254 23322	Chassis bracket
4b*	4822 449 80222	Cabinet		4822 321 10814	Mains cord
4b*	4822 449 80224	Cabinet white		2422 070 98119	Mains cord grey
4ab*	3111 254 09410	Cabinet metallic blue		4822 321 11367	Mains cord for /05/07 version
4ab*	3111 254 09390	Cabinet champagne		4822 131 11084	Picture tube A34EAC01X15
				4822 131 11357	Picture tube A34AGT11X91
4ab*	3111 254 09370	Cabinet medium green	*a	14PT1563	
4ab*	3111 257 54540	Cabinet silver	*b	14PT1363	
4b*	3111 254 09470	Cabinet silver champagne	*c	14PT2663, 14PT2683	
4b*	3111 254 09460	Cabinet bronze	*d	14PT2694	
4c*	4822 449 80198	Cabinet			

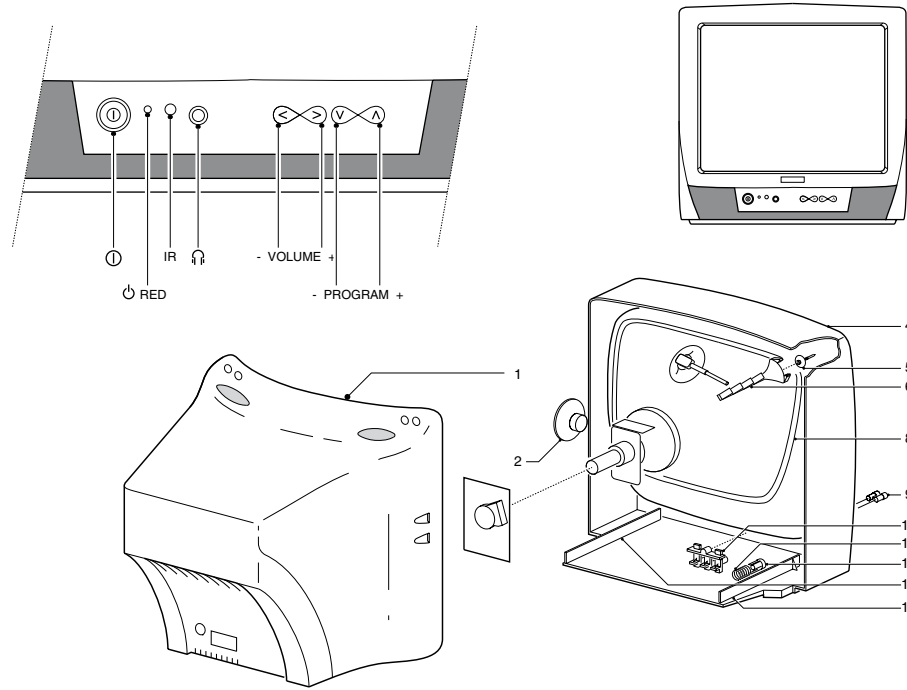
STYLING 159



Styling 159.A1
021100

1	4822 426 10554	Rear cover	7	4822 380 10218	Light guide
1a*	4822 426 10805	Rear cover	8	4822 157 11118	Degaussing coil
1bc*	3111 254 23311	Rear cover blue	9	4822 380 10218	Light guide
1bc*	3111 254 23301	Rear cover champagne	10	4822 410 11476	Control knobs
1bc*	3111 254 23291	Rear cover silver	10bc*	3111 254 09281	Control knobs silver
1b*	3111 254 24581	Rear cover medium green	10b*	3111 254 22391	Control knobs
1bc*	3111 254 24641	Rear cover orange	11	4822 410 11477	Mains knob
1b*	3111 254 24571	Rear cover bronze	11b*	3111 254 09271	Mains knob silver
1c*	3111 254 24651	Rear cover light green		4822 492 32656	Mains knob spring
2	4822 240 10105	Loudspeaker (25 ohm)		3111 254 22421	Mains switch interface bracket
3	4822 303 30491	Aerial	12	4822 463 11164	Right PCB guide
3c*	3119 108 68281	Aerial (single rod)	12c*	3111 254 22361	Right PCB guide
4	4822 449 80189	Cabinet		3111 254 22371	Left PCB guide
4a*	4822 449 80324	Cabinet		4822 463 11165	Left PCB guide
4bc*	3111 254 09301	Cabinet metallic blue		4822 402 10881	Chassis bracket
4bc*	3111 254 09291	Cabinet champagne	c*	3111 254 22412	Chassis bracket
4b*	3111 257 55401	Cabinet new silver		3111 254 23772	HP fixation
4b*	3111 254 09321	Cabinet medium green		4822 321 10814	Mains cord
4bc*	3111 254 09431	Cabinet silver champagne		4822 321 11367	Mains cord for /02 and /05 version
4bc*	3111 254 09311	Cabinet bronze		4822 454 13196	Word mark
4c*	3111 254 09441	Cabinet light green		3111 250 00441	Light green wordmark
4c*	3111 254 09291	Cabinet champagne		4822 131 11084	Picture tube A34EAC01X15
4c*	3111 257 55401	Cabinet silver		4822 131 11357	Picture tube A34AGT11X91
5	4822 502 13712	Screw, steel	a*	14PT1373	
5c*	3119 100 42091	CRT screw	b*	14PT1374	
6	4822 402 10181	Bracket	c*	14PT1574	
6c*	3111 254 23481	Bracket			

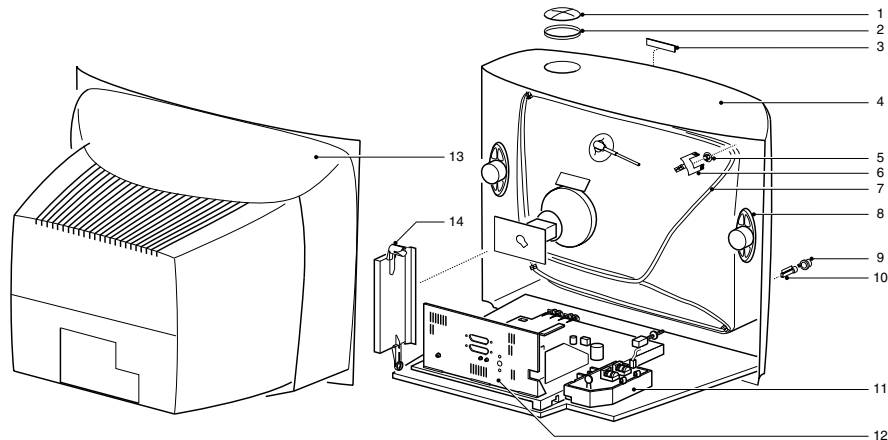
STYLING 183



Styling 183.A1
210300

1defg*	4822 426 10556	Rear cover	ef*	3122 228 00203	Wordmark
1abc*	4822 426 10587	Rear cover		4822 131 11105	Picture tube A51EAL155X47
2	4822 240 10259	Loudspeaker		4822 131 11295	Picture tube A51EFK155X47
3	not present	Aerial	ef*	4822 131 11087	Picture tube A51EAL135X15
4	4822 449 80192	Cabinet for mono versions	a*	21PT4304/..	
4	4822 449 80194	Cabinet for stereo versions	b*	21PT4324/..	
4	4822 449 80202	Cabinet for /05 version mono	c*	52TA4314/..	
4bc*	4822 449 80221	Cabinet	d*	21PT1353, 21PT1653	
5	4822 502 13712	Screw, steel	e*	21PT2564/00	
5e*	3111 250 40041	Screw fix CRT	f*	21PT2584/01	
6	4822 402 10181	Bracket	g*	21PT4423/01	
8abcdg*	4822 157 11129	Degaussing coil			
8ef*	3128 138 60441	Degaussing coil			
9	4822 380 10221	Light guide			
10	4822 410 11479	Knob (control)			
11	4822 463 11167	Left PCB guide			
12	4822 463 11166	Right PCB guide			
13	4822 410 11481	Mains knob			
14	4822 492 32656	Sprig for mains knob			
	4822 402 10881	Chassis bracket			
ef*	3111 254 22412	Chassis bracket			
efg*	4822 321 10814	Mains cord			
bd*	4822 276 13603	Mains switch			
	4822 404 31291	Bracket for mains cord			
abcdg*	4822 459 11157	Wordmark			

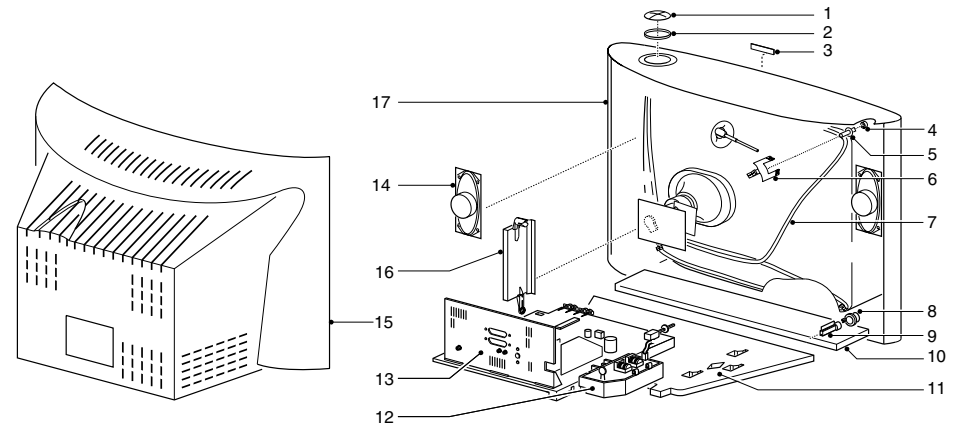
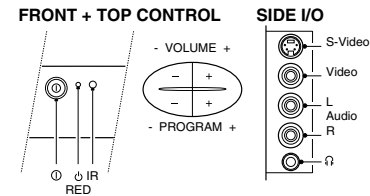
STYLING 187



STYLING 187.AI
070700

1/2ace*	4822 442 01636	Top control cover & holder	13ch*	4822 426 10667	Rear cover 25"
1/2bdfghi*	4822 442 01679	Top control cover & holder	13d*	4822 426 10775	Rear cover 25" Nat. Brand
3abi*	4822 459 11157	Wordmark PHILIPS 21"	13ef*	4822 426 10668	Rear cover 29"
3cdh*	4822 459 11155	Wordmark PHILIPS 25"/29"	13g*	4822 426 10804	Rear cover 29" Nat. Brand
4a*	4822 449 80317	Cabinet 21"	13i*	4822 426 10813	Rear cover 21" Nat. Brand
4c*	4822 449 80259	Cabinet 25"	14abi*	4822 402 11242	Side AV bracket 21"
4d*	4822 449 80306	Cabinet 25" Nat. Brand	14cdh*	4822 402 11114	Side AV bracket 25"
4e*	4822 449 80261	Cabinet 29"	14efg*	4822 402 11115	Side AV bracket 29"
4f*	4822 449 80307	Cabinet 29"			
4g*	4822 449 80308	Cabinet 29" Nat. Brand	4822 131 11175	21" CRT A51EAL155X01	
4h*	4822 449 80322	Cabinet 25"54x5	4822 131 20568	25" CRT A59EAK552X11	
4i*	4822 449 80329	Cabinet 21" Nat. Brand	4822 131 11298	29" CRT A68ESF002X11	
5acdhi*	4822 505 11195	CRT screw/nut 21/25"	4822 380 10238	Light guide 21"/29"	
5efg*	4822 502 14602	CRT screw/nut 29"	4822 380 10239	Light guide 25"	
6ai*	4822 404 30945	Degaussing coil clamp 21"	4822 401 11765	Spacer (for EHT cable)	
			4822 401 11764	Mains cord relief	
			4822 321 11425	Mains cord (not for UK)	
cdh*	4822 403 70906	Degaussing coil clamp 25"	5322 390 20011	Silicon grease for EHT cap	
6efg*	4822 404 31379	Degaussing coil clamp 29"			
7ai*	4822 157 11532	Degaussing coil 21"	*a	21PT5304, 21PT5324	
7cdh*	4822 157 11674	Degaussing coil 25"	*c	25PT5304, 25PT5324	
7efg*	4822 157 11675	Degaussing coil 29"	*d	25PT5124, 63TA5214	
8	4822 240 10298	Loudspeaker YDT613 8R (2x)	*e	29PT5304, 29PT5324	
9/10aefgi*	4822 535 10587	Mains knob assy	*f	29PT5405, 29PT5425	
9/10cdh*	4822 410 12281	Mains knob assy	*g	29PT5124, 72TA5214	
11	4822 402 11113	Mains filter bracket	*h	25PT5405, 25PT5425	
13a*	4822 426 10787	Rear cover 21"	*i	52TA5215	

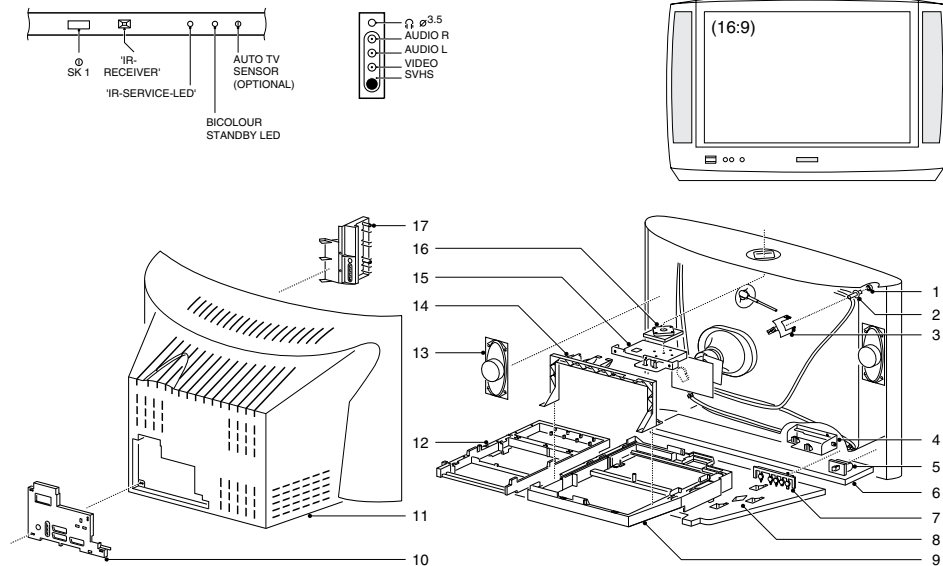
STYLING 188



STYLING 188.AI
300600

1	4822 442 01636	Top control cover	16	4822 402 11175	Side AV bracket
2	3139 124 26992	Top control bracket	17a	4822 449 80328	Cabinet 28" (Philips)
3a	4822 459 11155	Wordmark PHILIPS 28" / 32"	17b	4822 449 80302	Cabinet 28" (Nat. Brand)
3d	3111 250 00291	Wordmark PHILIPS 24"	17cf	4822 449 80355	Cabinet 32" (Philips)
4c	4822 502 14664	Insert (32")	17d	3139 127 87842	Cabinet 24" (Philips)
5ab	4822 502 14602	Screw 28"	17e	3139 137 66871	Cabinet 32" (Nat. Brand)
5cef	4822 502 13712	Screw 32"		3139 124 24921	Light guide 24"
5d	4822 505 11195	Screw 24"		4822 380 10238	Light guide 28" / 32"
6abcef	4822 403 70906	Bracket fix degaussing coil 28" / 32"		4822 321 11425	Mains cord (EU)
6d	3104 304 18634	Bracket fix degaussing coil 24"		4822 401 11764	Mains cord relief
7ab	4822 157 11815	Degaussing coil 28"	abce	4822 401 11765	Spacer (for EHT cable)
7cef	4822 157 11761	Degaussing coil 32"	d	3111 254 23481	Spacer (for EHT cable) (24")
7d	2422 549 43629	Degaussing coil 24"	a	4822 131 20708	28"WS CRT W66ESF002X14
8/9abcef	4822 535 10587	Mains knob (assy)	b	4822 131 11345	28"WS CRT W66ECK001X14
8/9d	3139 137 62681	Mains knob (assy)	ce	4822 131 11215	32"WS CRT W76ESF031X14
10	Not applicable		d	4822 131 11227	24"WS CRT W56ESF002X04
11ab	3139 124 26411	Bottom plate 28"	f	9322 148 59682	32"WS CRT W76EGV023X315
11cef	Not applicable	Bottom plate 32"	a	28PW6304, 28PW6324	
11d	3139 124 26421	Bottom plate 24"	b	70WA6214, 70WB6194, 28PW5304, 28PW5324	
12	4822 402 11113	Mains filter bracket	c	32PW6304, 32PW6324 (/00, /01 & /05)	
13	4822 402 11117	Rear I/O panel bracket	d	24PW6304, 24PW6324	
14	4822 240 10298	Speaker (YDT613-8SX03)	e	82WA6214, 82WB6194	
15ab	4822 426 10812	Rear cover 28"	f	32PW6304, 32PW6324 (/20, /21 & /25)	
15cef	4822 442 01636	Rear cover 32"			
15d	3139 124 25772	Rear cover 24"			

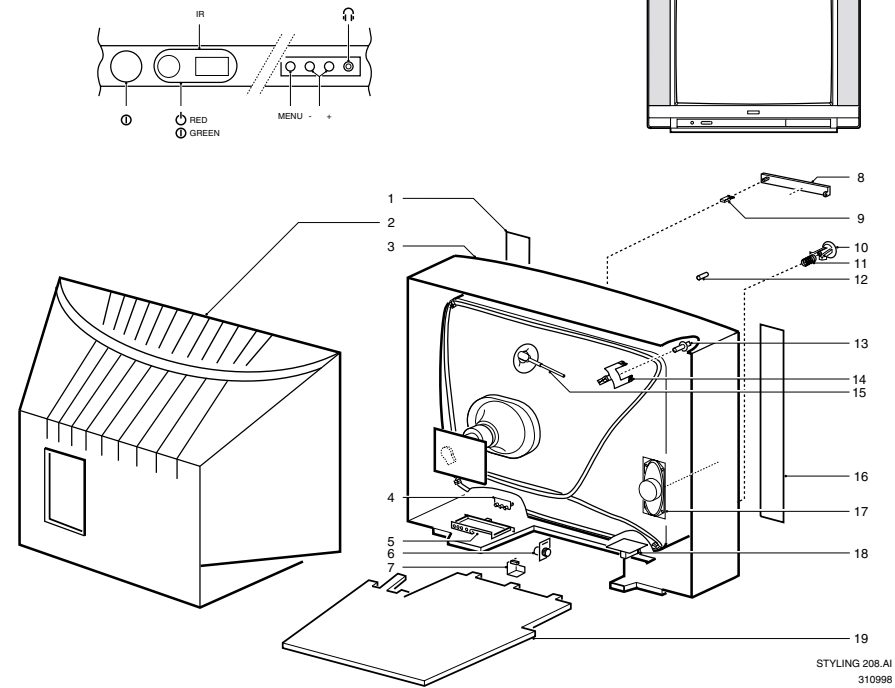
STYLING 205



STYLING 205.AI
110988

1	4822 404 31294	Insert VP19100 32"	16	4822 410 12071	Keypad
2	4822 505 11195	Screw 24"/28"	16	3104 304 20920	Keypad XXPW6615
2	4822 502 21359	Screw 32"	17	4822 402 11175	Bracket side I/O
3	4822 402 10047	Bracket fix deg. coil 24" (4x)		4822 240 10331	Centre loudspeaker 8Ω 12W
3	4822 403 70906	Bracket fix deg. coil (4x, 2x for 32")		4822 459 11127	Philips emblem
3	4822 404 31289	Bracket fix deg. coil 32"		4822 454 13455	Philips emblem silver
	4822 404 31341	Clamp for deg. coil 24"/32"		4822 459 11161	Philips emblem 32"
4	4822 402 11176	Bracket mains unit		4822 454 13399	Philips emblem 32" silver
5	4822 410 12069	Mains knob		4822 492 11079	Spring for mains switch
6	4822 449 80279	Cabinet 24PW8504		4822 402 11183	Mains cord holder 28"
6	4822 449 80285	Cabinet 28"		4822 131 11185	Picture tube W56ESF002X44
6	4822 404 95970	Cabinet 28PW6615		4822 131 20708	Picture tube W66ESF002X14
6	4822 449 80287	Cabinet 32"		4822 131 20704	Picture tube W66ESF002X44
6	3104 307 95990	Cabinet 32PW6615		9322 148 59682	Picture tube
6	4822 449 80291	Cabinet 32PW9604			W76EGV023X315
7	4822 380 10245	Light guide 24"		4822 131 20705	Picture tube W76ESF031X44
7	3104 304 19810	Light guide 28"/29"/32"		4822 219 10579	RC2591/00
8	4822 442 01543	Bottom plate 24"		4822 219 10577	RC2591/01
8	4822 466 12141	Bottom plate 28"/29"		3104 207 09540	RC2020/01B
8	4822 442 01547	Bottom plate 32"		3104 207 09530	RC2592/01B
9	4822 402 11174	Frame for LSP		4822 157 11825	Rotation coil 32"
10	4822 442 01546	Coverplate		4822 157 11757	Degaussing coil 24"
10	3104 307 96010	Coverplate XXPW6615		4822 157 11758	Degaussing coil 28"
11	4822 426 10728	Rear cover 24"		4822 157 11761	Degaussing coil 32"
11	4822 426 10734	Rear cover 28"		4822 320 20234	EHT cable
11	3104 307 95980	Rear cover 28PW6615		4822 320 11108	EHT cable 32"
11	4822 426 10736	Rear cover 32"		4822 320 20216	Focus cable
11	3104 307 96000	Rear cover 32PW6615		4822 321 11448	Mains cord
12	4822 464 10474	Frame for SSP		4622 009 50782	Mains cord XXPW6615
13	4822 240 10331	Loudspeaker (2x)		4822 240 10381	Surround sound loudspeaker
14	4822 402 11177	LOT support bracket			14Ω 10W
15	4822 464 10475	Bracket top control			

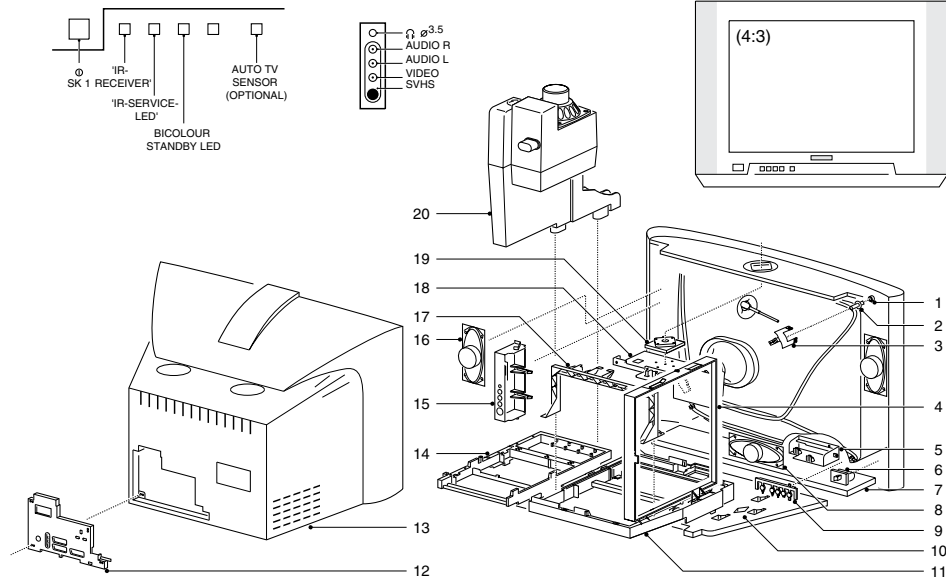
STYLING 208



STYLING 208.AI
310998

1	4822 458 40569	Loudspeaker cloth right 21"	15	4822 320 20238	EHT cable
1	4822 458 50482	Loudspeaker cloth right 25"	16	4822 458 40568	Loudspeaker cloth left 21"
1a*	4822 458 50567	Loudspeaker cloth right 25"	16	4822 458 50481	Loudspeaker cloth left 25"
1	4822 458 50484	Loudspeaker cloth right 28"	16a*	4822 458 50566	Loudspeaker cloth left 25"
1cde*	4822 458 50569	Loudspeaker cloth right 28"	16	4822 445 50483	Loudspeaker cloth left 28"
2	4822 426 10756	Back cover 21"	16cde*	4822 458 50568	Loudspeaker cloth left 28"
2	4822 426 10689	Back cover 25"	17	4822 240 10339	Loudspeaker
2b*	4822 426 10758	Back cover 25"	17e*	4822 240 90183	Loudspeaker acoustic horn
2	4822 426 10691	Back cover 28"	18	4822 410 63856	Push button
2d*	4822 426 10759	Back cover 28"	19	4822 432 11269	Bottom plate
2f	4822 426 10801	Back cover 28"		4822 459 11157	Word mark PHILIPS 21"
3	4822 430 30256	Cabinet 21"		4822 459 11155	Word mark PHILIPS 25" and 28"
3	4822 430 50922	Cabinet 25"		4822 454 13387	Word mark GOODMANS
3a*	4822 430 51024	Cabinet 25"		4822 535 92924	Screw spindle steel
3b*	4822 449 80299	Cabinet 25"		4822 402 10771	Chassis bracket
3	4822 430 50921	Cabinet 28"		4822 502 13712	Screw 12X3 steel
3f*	4822 449 80321	Cabinet 28"		4822 404 31291	Holder for mains cord
3ce*	4822 430 51025	Cabinet 28"		4822 321 11463	Mains cord for /05
3d*	4822 449 80301	Cabinet 28"		4822 321 10814	Mains cord
4	4822 290 40288	Push button	e*	4822 321 11367	Mains cord
5	Not applicable			4822 157 11129	Degaussing coil 21"
6	Not applicable			4822 157 10664	Degaussing coil 25"
7	Not applicable			4822 157 71291	Degaussing coil 28"
8	4822 443 11121	Door		4822 417 11397	Loudspeaker fixation
8ace*	4822 432 93386	Door		4822 131 11105	Picture tube 21"
8d*	4822 443 11122	Door			A51EAL155X47
8e*	4822 443 11042	Door		4822 131 11214	Picture tube 25"
9	4822 417 50252	Locking mechanism			A59EAK071X01
10	4822 410 63856	Mains knob		4822 131 11216	Picture tube 28"
10ace*	4822 410 63857	Mains knob			A66EAK071X01
10bd*	4822 410 12157	Mains knob		4822 462 11136	Stand assy 21"
10f*	4822 410 12272	Mains knob		4822 462 11112	Stand assy 25" and 28"
11	4822 492 32656	Spring for mains knob	e*	4822 442 01045	Battery lid
	4822 380 20478	Light guide	*a	25PT4454, 25PT4654, 25PT4674	
12	4822 403 70972	Bracket for light guide	*b	25PT4654, 25PT4674	
13	4822 505 10903	Nut & washer combination "	*c	28PT4454, 28PT4474	
14	4822 404 30945	Bracket fix deg. coils 21"	*d	28PT4654, 28PT4674	
14	4822 404 31308	Bracket fix deg. coils 25"	*e	286NS/05	
14	4822 404 31308	Bracket fix deg. coils 28"	*f	28PT4254/00	
14	4822 404 30869	Bracket fix deg. coils 28" STEEL			

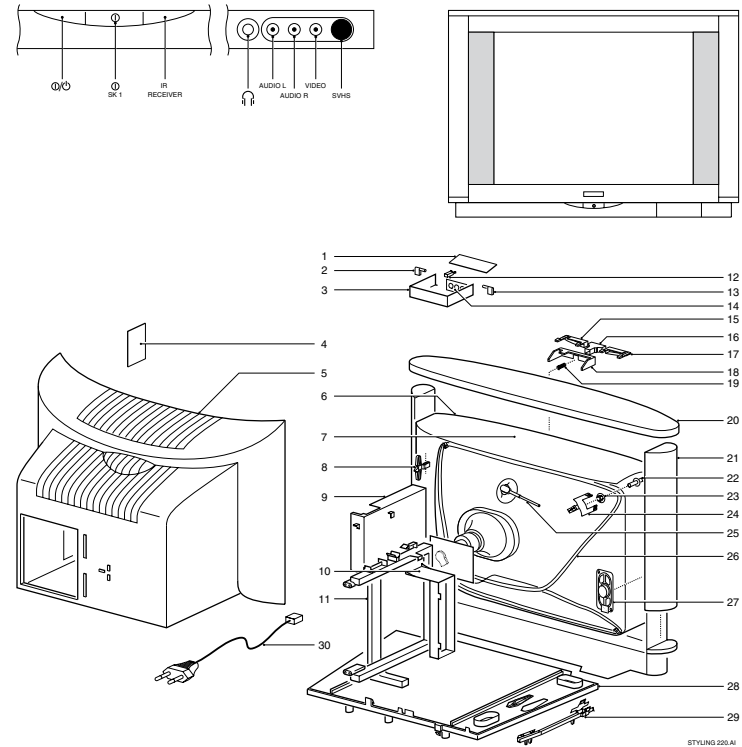
STYLING 219



STYLING 219-AI
180899

1ac*	3122 124 35680	Washer	20	4822 445 10834	Subwoofer box
2a*	4822 500 30034	Picture tube screw	abcd*	4822 454 13455	Philips emblem
2b*	4822 505 11195	Picture tube screw	e*	3104 300 12161	Philips emblem
3	3139 124 31120	Bracket fix deg. Coil	abcd*	3104 300 12080	Matchline emblem
4	3104 304 19650	Frame for supply panel	e*	3104 300 12121	Matchline emblem
5	4822 402 11176	Bracket mains unit		4822 492 11079	Spring mains switch
6abcd*	3104 304 20790	Mains knob		3104 304 19640	Module support bracket on SSP
6e*	3104 307 96651	Mains knob	9322 147 74682		Picture tube
7a*	3104 328 03961	Cabinet		9322 147 75682	A68QCP891X101 (only -/69)
7c*	3104 328 08991	Cabinet	a*	3104 207 09590	Remote control RC2034/01B
7d*	3104 328 08721	Cabinet	b*	3128 147 11811	Remote control RC2012/01
7e*	3104 328 09151	Cabinet	c*	3104 207 09580	Remote control RC2033/01B
8	2422 257 20507	Loudspeaker centre	d*	3104 207 09531	Remote control RC2592/01B
9	3104 304 20800	Light guide	e*	3104 207 09561	Remote control RC2031/01B
10	4822 466 12141	Bottom plate		4622 009 50772	Mains cord
11	3104 304 19580	Frame for LSP		4622 001 60961	Mains cord (only -/79)
12a*	3104 307 95230	Coverplate		4622 002 50391	Mains cord (only -/93)
12c*	3104 307 96420	Coverplate		4822 157 11708	Degaussing coil
12d*	3104 304 19611	Coverplate	a*	4822 240 10381	Surround sound box
13abcd*	3104 307 94920	Rear cover	de*	3104 307 97111	Cover mains harmonic for -/xxR
13e*	3104 307 96631	Rear cover		*a	29PT9418/XXR
14	4822 464 10474	Frame for SSP		*b	29PT9418/XXT
15	3104 304 20990	Bracket side IO		*c	29PT9416
16	3104 130 01230	Loudspeaker combi		*d	29PT9006
17	3104 304 20260	LOT support bracket		*e	29PT9046
18	4822 464 10475	Bracket top control			
19abcd*	3104 304 21630	Keypad			
19e*	3104 304 22401	Keypad			

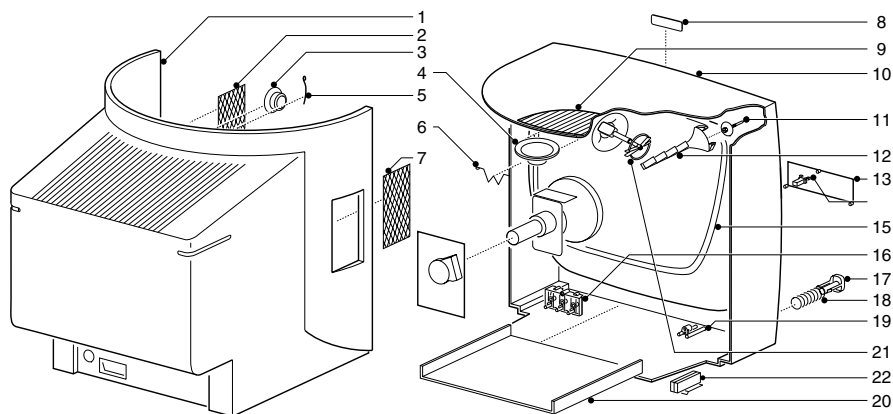
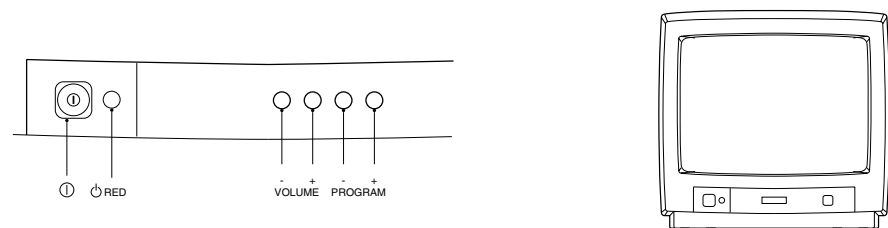
STYLING 220



STYLING 220-AI
270599

1	4822 443 10878	Door 29PT8423	20	4822 450 10642	Glass plate 29PT8444
1	4822 443 11074	Door 29PT8434	21	4822 466 11216	Aluminium column
1	4822 443 11075	Door 29PT8444	21	4822 466 11217	Aluminium column 29PT8444
2	4822 417 11339	Hinge right	22	4822 500 30034	CRT screw
3	4822 256 10244	Holder for controls	23	not present	
4	4822 466 11774	Blind plate for rear cover 29PT8424	24	4822 403 70906	Bracket fix degaussing coil (4x)
4	4822 466 12061	Blind plate for rear cover 29PT8434	25	4822 320 20238	EHT cable
4	4822 466 12063	Blind plate for rear cover 29PT8444	26	4822 157 71529	Degaussing coil
5	4822 426 10821	Back cover 29PT8424	27	4822 240 10319	Squeeter 10Ω
5	4822 426 10822	Back cover 29PT8434	28	4822 442 00394	Bottom plate
5	4822 426 10825	Back cover 29PT8444	29	4822 404 31291	Holder for mains cord
6	not available		30	4822 321 10814	Mains cord
7	4822 449 80333	Cabinet 29PT8424		4822 445 10783	Subwoofer box
7	4822 449 80334	Cabinet 29PT8434		4822 454 13452	Word mark PHILIPS 29PT8424
7	4822 449 80335	Cabinet 29PT8444		4822 454 13453	Word mark PHILIPS 29PT8434
8	4822 402 10198	Bracket fix rear cover		4822 454 13455	Word mark PHILIPS 29PT8444
9	4822 402 10168	Frame for mains filter		4822 402 11293	Plug left 29PT84243
10	4822 402 10657	Holder for FBX		4822 402 11295	Plug left 29PT8434
11	4822 256 92347	Frame for SSP		4822 402 11297	Plug left 29PT8444
12	4822 417 50258	Locking mechanism		4822 402 11294	Plug right 29PT8424
13	4822 417 11341	Hinge left		4822 402 11296	Plug right 29PT8434
14	4822 410 10584	Knobframe controls		4822 402 11298	Plug right 29PT8444
15	4822 450 10092	Window right		4822 442 01221	I/O cover plate 29PT8424
16	4822 410 10348	Mains knob		4822 442 01544	I/O cover plate 29PT8434
17	4822 450 10091	Window left		4822 442 01545	I/O cover plate 29PT8444
18	4822 404 10901	Support for mains switch		4822 131 11311	Picture tube A68ESF002X143
19	4822 492 11079	Spring for mains knob			
20	4822 450 10639	Glass plate 29PT8424			
20	4822 450 10641	Glass plate 29PT8434			

STYLING 221

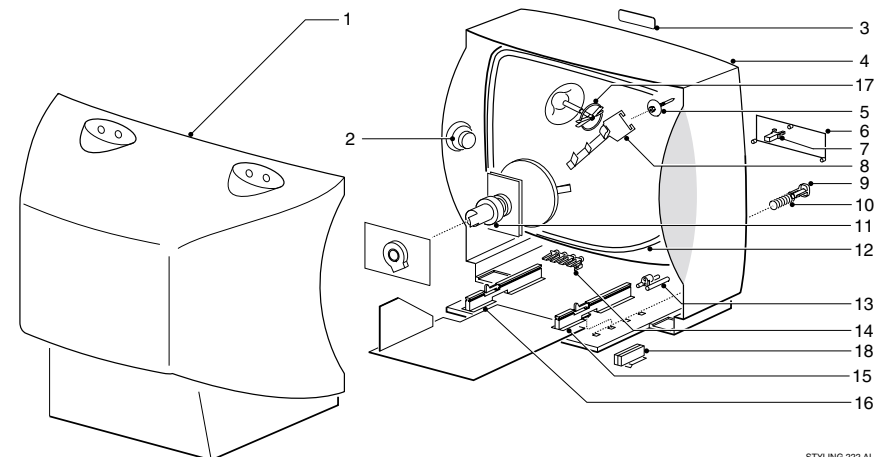
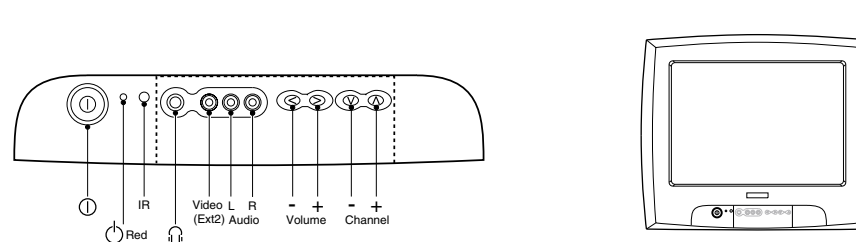


STYLING 221.A1
046700

1b*	3139 137 81241	Rear Cover
1a*	4822 426 10915	Rear cover
2	4822 458 50532	Speaker Grill Left
3	Not applicable	
4a*	4822 240 20345	Loudspeaker 8Ω 7W
4b*	2422 257 40013	Loudspeaker 8Ω 8W
5	Not applicable	
6	Not applicable	
7	4822 458 50533	Speaker Grill Right
8a*	4822 459 11214	Wordmark
9b*	4822 458 50534	Top Grill
10b*	3139 137 81231	Cabinet
10a*	4822 449 80349	Cabinet
11a*	4822 502 30739	CRT Fixing Screw
12	4822 404 31434	Coil Clamp
13	4822 443 10922	Door
14a*	4822 417 50252	Lock
15a*	4822 157 11889	Degaussing Coil 17"
15b*	4822 157 11626	Degaussing Coil 17"
16	4822 410 11763	Knob Frame
17	4822 410 11762	Mains knob
18a*	4822 492 32656	Spring Mains knob
19	4822 380 10282	Light Guide
20b*	3111 254 24391	Bottom Plate
21	4822 532 61201	EHT Spacer

22a*	4822 466 11453	Mains cord relief
22b*	4822 404 31291	Mains cord relief
	9301 835 40301	CRT A41EAM40X20
	4822 321 11499	Mains cord
*a	17PT1564	
*b	17PT1565	

STYLING 222

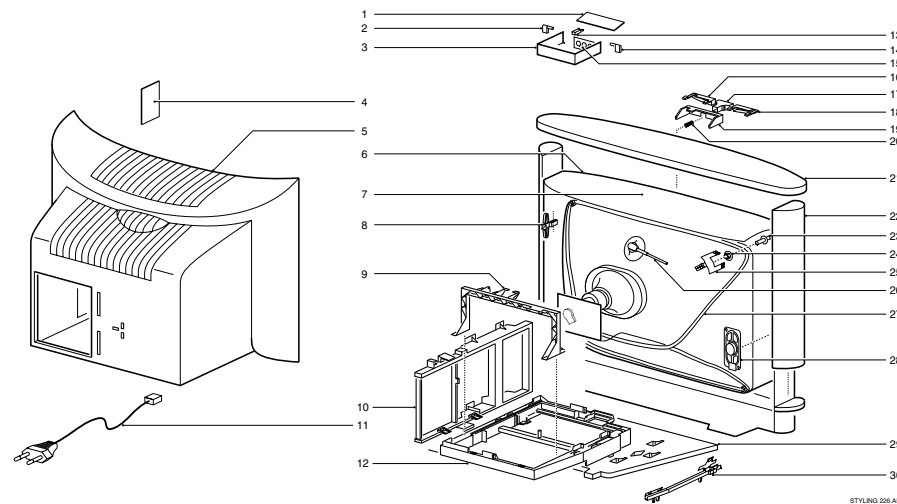
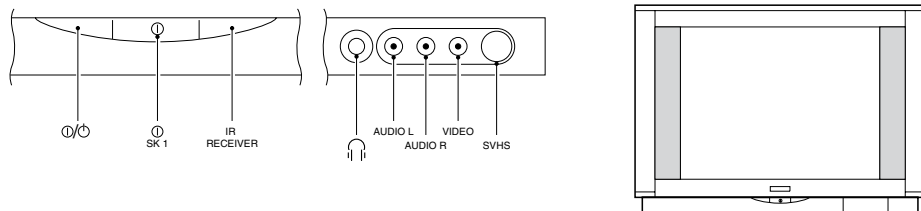


STYLING 222.A1
046700

1ace*	3111 254 23201	Rear cover
1bd*	3111 254 24781	Rear cover
1fg*	3111 254 24671	Rear cover
2	4822 240 10396	Loudspeaker 16Ω 5W
3	4822 459 11157	Wordmark PHILIPS
4a*	3111 257 54911	Cabinet mono
4b*	3111 257 56131	Cabinet mono
4c*	3111 257 55561	Cabinet mono
4d*	3111 257 56181	Cabinet mono
4e*	3111 257 54811	Cabinet stereo
4f*	4822 449 80352	Cabinet stereo
4g*	3111 257 55841	Cabinet stereo
5	4822 502 30736	CRT screw
6	4822 443 10921	Door
7	3111 254 22541	Stopper
8	4822 404 31434	Degaussing coil bracket
9	4822 410 11759	Mains knob
10	3122 121 31662	Compression spring
12	4822 157 11532	Degaussing coil 21"
13	4822 380 10283	Light guide
14	4822 410 11761	Knob frame
15	4822 463 11188	Chassis guide right
17	4822 532 61201	EHT spacer
18	4822 466 11453	Mains cord relief
	9301 738 50342	Picture tube 21" A51EAL155X47

h*	9322 145 31682	Picture tube 21" A51EER133X72
	4822 321 11493	Mains cord UK (/05, /25)
	4822 321 11499	Mains cord
	4822 303 14049	Rod Antenna (stereo version only)
*a	21PT1364/58, 21PT1664/00, /01, /21, /58	
*b	21PT1664/00S, /01S, /21S, /58S	
*c	21PT1664/05	
*d	21PT1664/05S	
*e	21PT2264/00, /20	
*f	21PT2664/00, /20, 21PT2684/01, /21, /48, /58	
*g	21PT2684/05, /25	
*h	21PTxxx/20, /21, /21S, /25, /48	

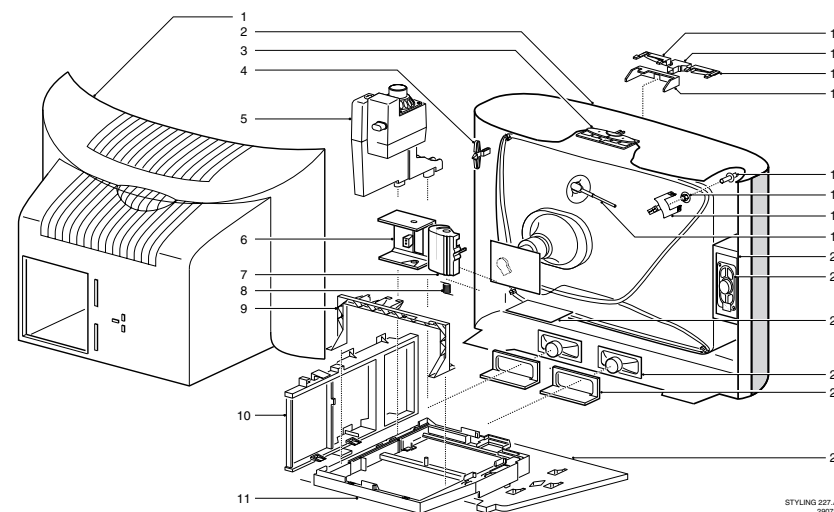
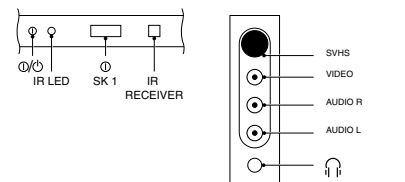
STYLING 226



STYLING 226.AJ
070790

1	4822 443 10878	Door 32PW9523	20	4822 492 11079	Spring for mains knob
1	4822 443 11074	Door 32PW9534	21	4822 450 10433	Glass plate 32PW9523
1	4822 443 11075	Door 32PW9544	21	4822 450 10577	Glass plate 32PW9534
2	4822 417 11339	Hinge right	21	4822 450 10578	Glass plate 32PW9544
3	4822 256 10244	Holder for controls	22	4822 466 11773	Aluminium column
4	4822 466 11774	Blind plate for rear cover 32PW9523	22	4822 466 12062	Aluminium column 32PW9544
4	4822 466 12061	Blind plate for rear cover 32PW9534	23	4822 502 21359	CRT bolt
4	4822 466 12063	Blind plate for rear cover 32PW9544	24	4822 404 31294	CRT fixation VP19100
5	4822 426 10578	Back cover 32PW9523	25	4822 404 31289	Bracket fix degaussing coil (2x)
5	4822 426 10731	Back cover 32PW9534	25	4822 403 70906	Bracket fix degaussing coil (2x)
5	4822 426 10732	Back cover 32PW9544	26	4822 320 20238	EHT cable
6	Not available		27	4822 157 11761	Degaussing coil
7	3104 328 05930	Cabinet 32PW9523	28	4822 240 10321	Squeeter (10 Ω)
7	3104 328 05940	Cabinet 32PW9534	29	3104 304 21460	Bottom plate
7	3104 328 05950	Cabinet 32PW9544	30	4822 404 31291	Holder for mains cord
8	4822 402 10198	Bracket fix rear cover		4822 445 10616	Subwoofer box
9	4822 402 11177	LOT support bracket		4822 454 13376	Word mark "Philips" 32PW9523
10	3104 304 21480	Frame for SSP		4822 454 13398	Word mark "Philips" 32PW9534
11	4822 321 11448	Mains cord		4822 454 13399	Word mark "Philips" 32PW9544
11	4622 007 51850	Mains cord UK		4822 529 10347	Shock absorber (8x) on back cover
11	4622 004 50191	Mains cord -75M		4822 402 10907	Plug left 32PW9523
12	3104 304 21470	Frame for LSP		4822 402 11178	Plug left 32PW9534
13	4822 417 50258	Locking mechanism		4822 402 11181	Plug left 32PW9544
14	4822 417 11341	Hinge left		4822 402 10908	Plug right 32PW9523
15	4822 410 10584	Knobframe controls		4822 402 11179	Plug right 32PW9534
16	4822 450 10092	Window right		4822 402 11182	Plug right 32PW9544
17	4822 410 10348	Mains knob		3104 304 21660	Connector plate 32PW9523
18	4822 450 10091	Window left150		3104 304 21680	Connector plate 32PW9534
19	3104 304 21550	Support for mains switch		3104 304 21670	Connector plate 32PW9544
				4822 157 11825	Rotation coil
				4822 131 20705	Picture tube W76ESF031X44
				3104 207 09560	Remote control RC2031/01

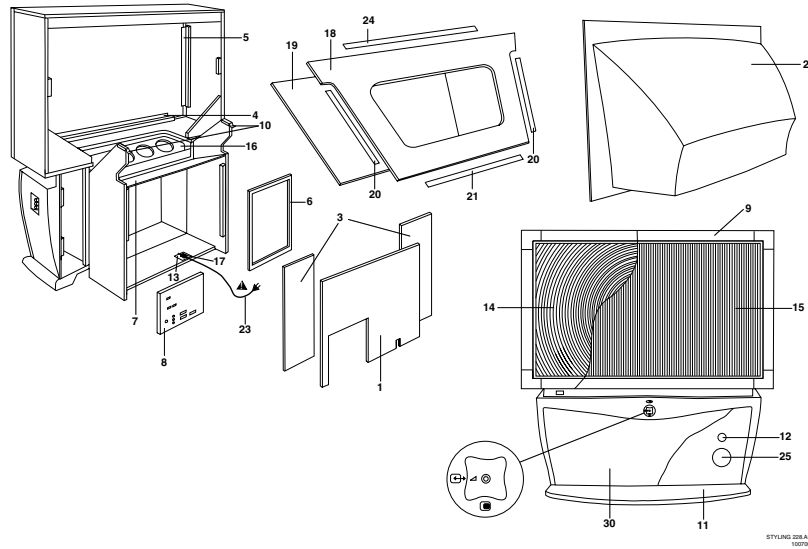
STYLING 227



STYLING 227.AJ
290799

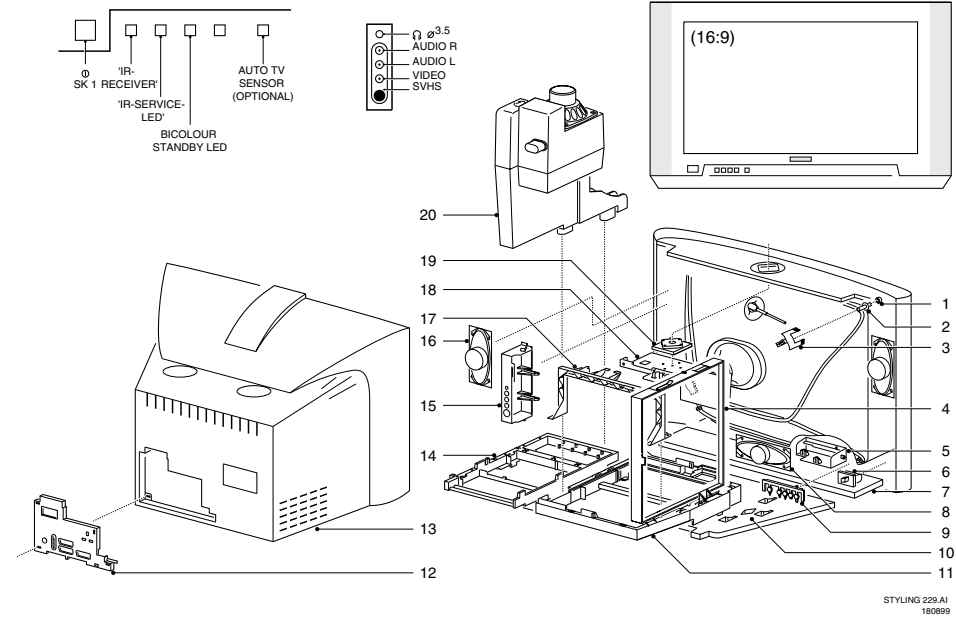
1	4822 426 10189	Rear cover 28"	17	4822 502 21359	Insert 32" VP19100
1	3104 307 95600	Rear cover 28" silver	18	4822 403 70906	Bracket fix deg. coil 28" (32" 2x)
1	4822 426 10319	Rear cover 32"	18	4822 404 31289	Bracket fix deg. coil 32" (2x)
1	3104 307 95610	Rear cover 32" silver	19	4822 320 20234	EHT cable 28"
2	3104 307 95560	Cabinet 28"	19	4822 320 11108	EHT cable 32"
2	3104 307 95580	Cabinet 28" silver	20	4822 402 10361	Bracket for loudspeaker 28"
2	3104 307 95570	Cabinet 32"	21	4822 240 10321	Loudspeaker
2	3104 307 95590	Cabinet 32" silver	22	not present	
3	4822 410 10349	Buttons top control	23	not present	
3	3104 307 95630	Buttons top control silver	24	4822 402 10362	Bracket for centre speaker
	4822 466 10934	ESD cap	25	3104 304 21460	Bottom plate
	4822 466 10933	Protection plate		4822 417 50258	Locking unit for toblerone
4	4822 402 10198	Bracket fix rear cover		3104 304 21490	Connector plate
5	4822 445 10616	Subwoofer box		4822 459 11154	Matchline emblem
6	4822 402 10145	Holder for toblerone		4822 459 11127	Philips emblem 28"
7	4822 402 10183	Toblerone		4822 454 13442	Philips emblem 28" dark silver
7	3104 307 95620	Toblerone silver		4822 459 11161	Philips emblem 32"
8	4822 492 11341	Spring for toblerone		4822 454 13444	Philips emblem 32" dark silver
9	4822 402 11177	LOT support bracket		4822 492 11079	Spring for mains switch
10	3104 304 21480	Frame for SSP		4622 001 60252	Mains cord
11	3104 304 21470	Frame for LSP		4822 402 11183	Mains cord holder
12	4822 450 10092	Window right		4822 157 11825	Rotation coil
13	4822 410 10348	Mains knob		4822 157 11758	Degaussing coil 28"
14	4822 450 10091	Window left		4822 157 11761	Degaussing coil 32"
15	3104 304 21550	Bracket for mains switch		4822 131 20704	Picture tube W66ESF002X44
16	4822 500 30034	Picture tube screw 28"		4822 131 20705	Picture tube W76ESF031X44
16	4822 502 21359	Picture tube screw 32"		3104 207 09540	Remote control RC2020/01
17	4822 532 12243	Insert 28" VP17100			

STYLING 228



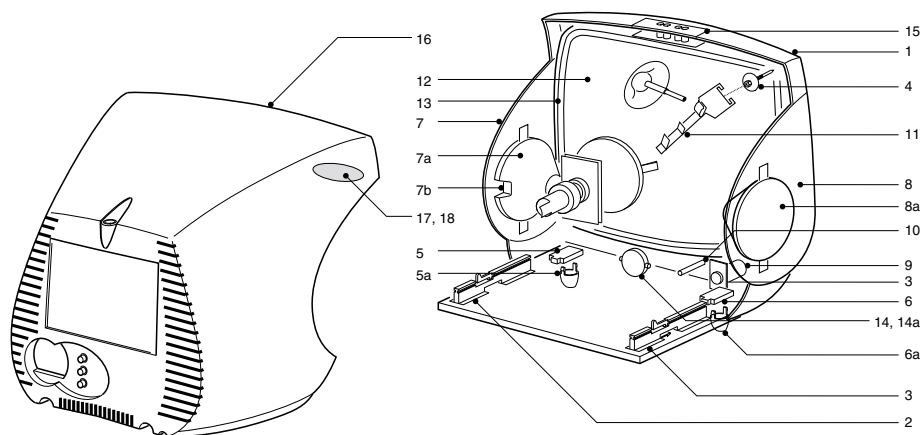
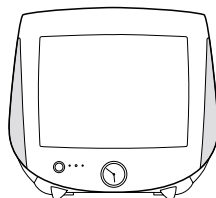
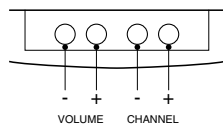
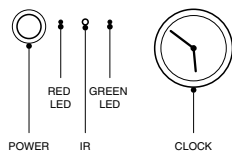
1	3135 013 03301	Centre-lower back cover	15	3135 014 08451	Lenticular screen 46"
2	3135 014 08022	Cabinet back, 46"	15	3135 014 08471	Lenticular screen 55"
2	3135 014 08032	Cabinet back, 55"	16	3135 014 02061	Light barrier
3	3135 013 03311	End-lower back cover (2 used)	17	3122 224 04620	Mains cord relief
4	3135 014 09101	Screen Extrusion, Horizontal 46" (2 used)	18	3135 013 03111	Mirror board 46"
4	3135 014 09121	Screen extrusion, horizontal 55" (2 Used)	18	3135 013 03041	Mirror board 55"
5	3135 014 09111	Screen extrusion, vertical 46" (2 used)	19	3135 013 03061	1st mirror 46"
5	3135 014 09131	Screen extrusion, vertical 55" (2 Used)	19	3135 013 03071	1st mirror 55"
6	3135 014 09291	MG power supply frame	20	3135 014 03451	Mounting bracket, mirror to board (2 Used)
7	3135 013 03121	Back barrier 46"	21	3135 014 03461	Mounting bracket, mirror to board (bottom) (1 Used)
7	3135 013 03191	Back barrier 55"	23	4835 321 17126	Mains cord Europe
8	3135 014 07692	Rear jack panel 46" Frame	23	3139 128 75350	Mains cord UK
9	3135 017 02941	55" Frame	24	3135 014 03491	Mounting bracket mirror to board (top) 46"
9	3135 017 02951	55" Frame	24	3135 014 03471	Mounting bracket mirror to Board (top) 55"
10	3135 011 02021	Mirror board mounting bracket (2 used)	25	2422 264 00348	Speaker 25 Watt tweeter (2 used)
11	3135 017 03681	Base rail	30	3135 013 03201	Front panel cover
12	2422 264 00344	Speaker, 25 Watt woofer (2 used)		0070 613 30001	Optical assembly 16X9 EURO 46"
13	3135 011 00850	AC cord retainer		0070 613 30002	Optical assembly 16X9 EURO 55"
14	3135 014 08461	Fresnel screen 46"		3104 207 09550	Remote transmitter, RC2030/01B
14	3135 014 08481	Fresnel screen 55"		3135 013 02761	Baffle mount, receptacle (6 used)
				3135 016 07961	Bottom Tray 55"
				3135 011 04211	Power supply bracket
				3135 014 09022	"46 Screen filter
				3135 014 09032	"55 Screen filter
				3135 014 09281	Chassis frame
				3135 015 14691	Rear jack panel overlay
				3135 017 03621	Side jack panel frame
				3135 017 03631	End cover
				3135 017 03982	Button AC switch
				4835 240 77099	Crossover assembly
				4835 528 77071	Caster (4 used)
				3122 785 90002	Convergence template 46"
				3122 785 90003	Convergence template 55"

STYLING 229



1	4822 404 31294	Insert 32" VP19100		4822 454 13399	Philips emblem 32"
2	4822 505 11195	Picture tube screw 28"	e*	4822 459 11161	Philips emblem
2	4822 502 21359	Picture tube screw 32"		3104 300 12080	Matchline emblem
3	4822 403 70906	Bracket fix deg. coil (2x) 28"		4822 459 11033	Matchline emblem 28PW9525
3	4822 404 31289	Bracket fix deg. coil (2x) 32"		4822 492 11079	Spring mains switch
3	3104 304 21090	Bracket fix deg. coil (2x)		3104 304 19640	Module support bracket on SSP
4	3104 304 19650	Frame for supply panel		3104 304 20300	Bracket for DAF panel
5	4822 402 11176	Bracket mains unit		2322 460 91634	DAF potmeter
6	3104 304 20790	Mains knob	ab*	2422 549 44248	Degaussing coil
6e*	3104 304 22321	Mains knob	cdef*	2422 549 44244	Degaussing coil
7a*	3104 307 95240	Cabinet	g*	2422 549 44256	Degaussing coil
7b*	3104 328 08671	Cabinet		4822 157 11825	Rotation coil
7c*	3104 328 04820	Cabinet	cdefg*	9301 827 70306	Picture tube W76ERF031X44
7df*	3104 328 08661	Cabinet		9301 828 00306	Picture tube W66ERF031X44
7e*	3104 328 08971	Cabinet	ab*	3104 207 09580	Remote control RC2033/01B
7g*	3104 328 06362	Cabinet V0	abcd*	3104 207 09540	Remote control RC2020/01B
8	2422 257 20547	Loudspeaker centre	e*	3104 207 09600	Remote control RC2035/01
9	3104 304 20800	Light guide	g*	4622 009 50772	Mains cord
10	4822 466 12141	Bottom plate		4622 009 50782	Mains cord -/05
10g*	3104 304 21101	Bottom plate V0	g*	2422 070 98129	Mains cord -/17
11	3104 304 19580	Frame for LSP		3104 130 01181	Wireless surround set 864MHz Eur
12ace*	4822 466 12209	Coverplate		3104 130 01301	Wireless surround set 433MHz Eur
12bd*	3104 307 94320	Coverplate		3104 130 01251	Wireless surround set 863MHz UK
12f*	3104 307 94313	Coverplate			Adapter F-pin -IEC
12g*	3104 307 95302	Coverplate			Demo pin
13ab*	3104 307 95250	Rear cover	g*	3104 300 20201	Cable IR shooter
13cdef*	3104 307 95200	Rear cover	g*	3104 301 23981	Cover mains harmonic for -/xxR sets
13g*	3104 307 95821	Rear cover V0	g*	3135 017 00921	
14	4822 464 10474	Frame for SSP	abcd*	3104 307 97111	
15	3104 304 20990	Bracket side IO	*a	28PW9525	
16	3104 130 01230	Loudspeaker combi	*b	28PW9616	
17	3104 304 20260	LOT support bracket	*c	32PW9525	
18	4822 464 10475	Bracket top control	*d	32PW9616	
19	3104 304 21630	Keypad	*e	32PW8906	
19e*	3104 304 20921	Keypad	*f	32PW9765	
19g*	3104 304 22561	Keypad	*g	30PW9815	
20	4822 445 10834	Subwoofer box			
	4822 454 13455	Philips emblem 28"			

STYLING 231

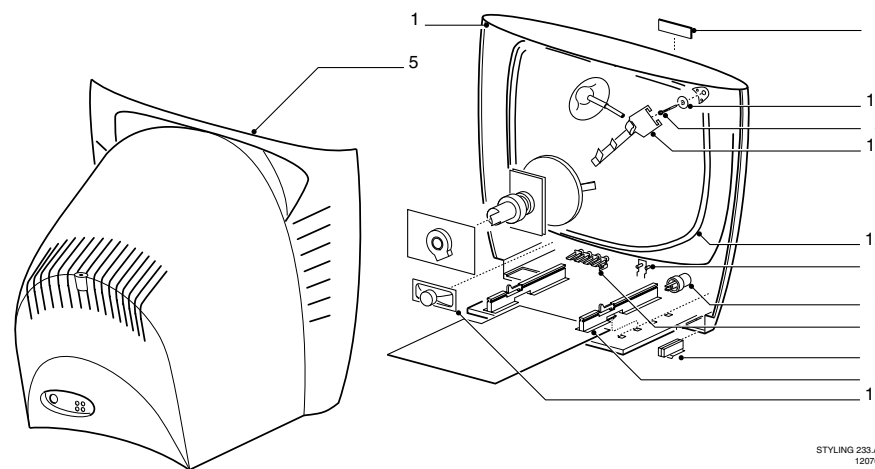
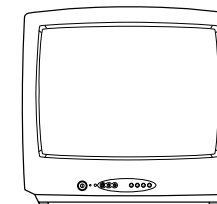
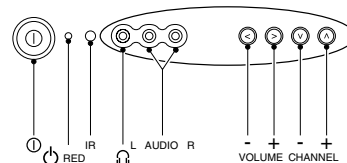


STYLING 231.AI
070700

1	3139 137 68301	Cabinet
2	3139 124 24751	Chassis guide (HB)
3	3139 124 24782	Chassis guide (VO)
4	3139 120 41141	Screw
5	3139 124 30341	Foot bracket (L)
5a*	3139 124 30291	Foot (L)
6	3139 124 30351	Foot bracket (R)
6a*	3139 124 30301	Foot (R)
7	3139 124 31491	Speaker cover plate (L)
7a*	3139 137 66531	Speaker grille (L)
7b*	2422 264 00334	Loudspeaker 16R/4W
8	3139 124 31501	Speaker cover plate (R)
8a*	3139 137 66541	Speaker grille (R)
9	3139 137 66581	Mains knob
10	3139 124 31391	Light guide
11	3139 124 10113	Degaussing coil bracket
12	9322 137 68682	Picture tube 14" A34AGT13X95
13	3139 128 23151	Degaussing coil
14	3139 128 75761	Clock assembly
14a*	3139 124 30311	Clock bracket
15	3139 137 68451	Top control bracket
16	3139 137 66151	Rear cover
17	3139 137 66551	Cover plate (L)
18	3139 137 66561	Cover plate (R)

*a 14PT3862/...

STYLING 233



STYLING 233.AI
120700

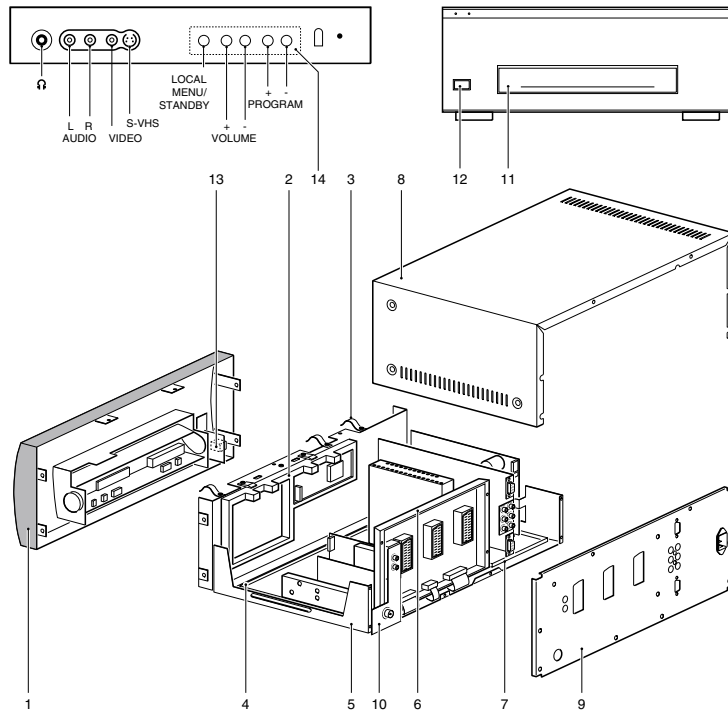
1aedg*	3111 257 56221	Cabinet
1cl*	3111 257 55011	Cabinet
1k*	3111 257 55021	Cabinet
1m*	3111 257 56801	Cabinet
1bf*	3139 137 55641	Cabinet
1h*	3139 137 56141	Cabinet
1i*	3139 137 61131	Cabinet
2	4822 502 13712	CRT screw
3	4822 463 11126	Chassis guide (HB)
3	4822 463 11125	Chassis guide (VO)
4	3111 250 00041	Wordmark PHILIPS
4a*	3111 250 00311	Wordmark ARISTONA
4bf*	3111 250 00121	Wordmark PYE
4c*	3111 250 00141	Wordmark PHONOLA
4d*	3111 250 00331	Wordmark SBR
4egi*	3111 250 00081	Wordmark Radiola
4h*	3111 250 00061	Wordmark Schneider
5	3139 178 04991	Rear cover
5adegklm*	3139 124 29791	Rear cover
5c	3139 124 29701	Rear cover
6	4822 410 12149	Control knob
7	3139 124 26251	Light guide
8	3139 124 26172	Mains knob
9	4822 466 11453	Mains cord relief
10	4822 502 14508	Washer (only d,j)

11	4822 404 31025	Bracket deg coils
12	2422 549 44446	Degaussing coil 14"
13	3111 100 55181	Loudspeaker 16R 4W
	4822 321 11493	Mains cord UK (/05)
	4822 321 11499	Mains cord

	4822 131 11367	Picture tube 14"
		A34EAC01X024
	4822 303 14049	Aerial telescopic
	4822 532 61201	Spacer EHT
kl*	4822 526 10663	Multipole unit

*a	37TA1274/03=37TA1474/03
*b	37TA1274/05
*c	37TA1274/08
*d	37TA1274/11
*e	37TA1274/16=37TA1474/16
*f	37TA1474/05
*g	37TA1474/18
*h	37TB1254/19
*i	37TA1264/18
*k	14PT1354/58
*l	14PT1324/00
*m	14PT1345/58

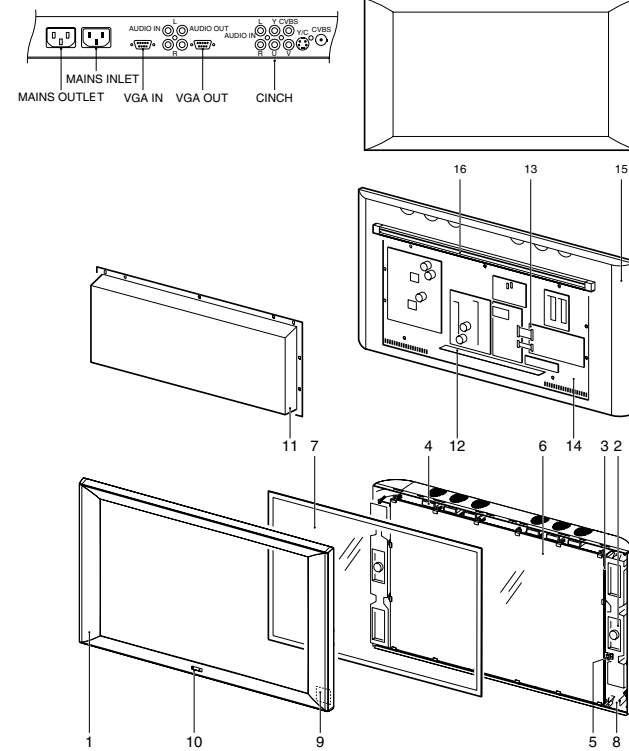
STYLING 235a



STYLING 235a_A1
070700

1	3122 128 13063	Front panel
2	3122 124 35641	TXT bracket
3	3122 121 66971	EMC spring front I/O
4	3122 124 35571	4 PCB bracket
5	3122 121 35642	Bottom plate
6	3122 124 35601	Rear I/O-bracket
7	3122 124 35631	SSP bracket
8	3122 128 13081	Top plate painted
9	3122 128 13001	Connector PL
10	Not applicable	
11	3122 128 13012	Door
12	3122 128 13131	Mains knob
13	3122 124 35612	Light guide
14	3104 308 76591	Control knob assy
	3139 117 72651	Wordmark PHILIPS
	9322 127 27676	IR LED
	3122 121 35631	Front shield
	3104 308 76481	Front connections
	3139 117 85331	Leg silver
	3104 304 16374	SSP locking unit
	3104 317 91971	Box supply NEDAP
	4622 007 51971	Mains cord FTR9952/12
	2422 070 98107	Mains cord FTR9952/19

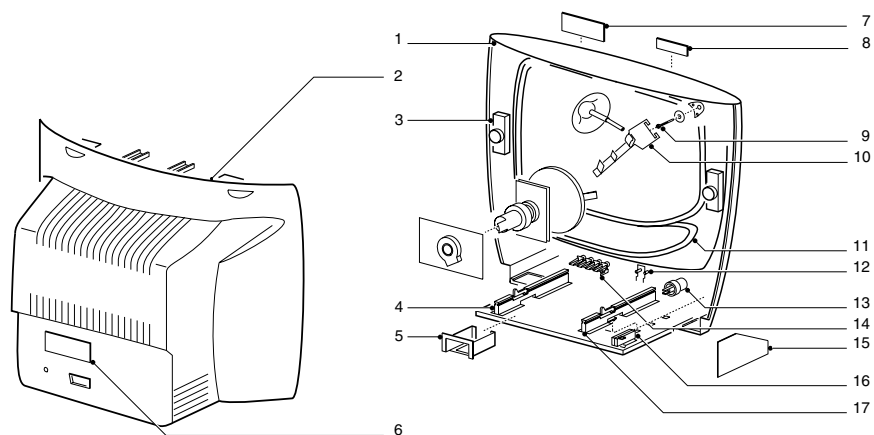
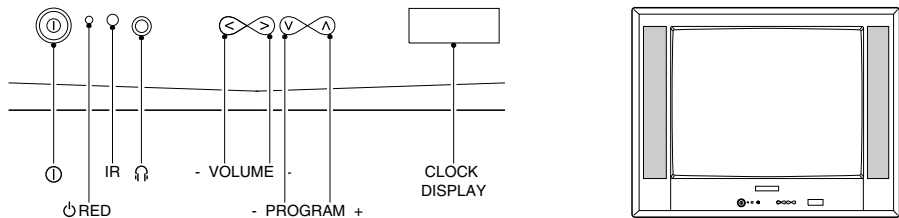
STYLING 235b



STYLING235b_A1
070700

1	3122 128 13171	Screen frame grey (monitor-only configuration)	15	3122 128 13181	Back display (monitor-only configuration)
1	3122 357 20541	Screen frame purple	16	3122 121 66951	Mount profile
1	3122 357 20551	Screen frame blue		3122 121 66961	Wall mount profile
1	3122 357 20561	Screen frame green		4822 310 11182	Mounting kit assembly
1	3122 357 20571	Screen frame champagne		4822 263 50216	MAC adapter
1a*	3122 128 13162	Screen frame silver		4822 462 10981	Wall spacer
2	3104 130 01391	Loudspeaker assembly		3122 121 66971	EMC spring
3	3122 121 66931	EMC strip		3122 121 67021	EMC strip
4	3104 301 09352	Fan	ab*	2422 070 98107	Mains cord UK/FR
5	3122 121 35601	Glass clip	ab*	4622 007 51971	Mains cord WE
6	9322 137 15682	Display	c	3122 358 75802	Mains cord
7	3122 124 90741	Glass plate		3122 358 75921	VGA cable 2m
8	3122 128 13141	Mains knob		3122 358 75931	VGA cable 5m
9	3122 124 35651	Light guide		3122 358 76021	VGA cable 10m (only total configuration)
10	3104 300 11991	Wordmark PHILIPS			
11	3122 128 13031	Board encasing	*a	42PF9952/12S, /19S	
12	3122 128 13121	Connector plate	*b	42FD9932/01G, /01S	
13	2422 015 13083	PCB hinged lock	*c	42FD9932/17G	
14	3122 121 35611	Back cover			
15	3122 124 35561	Back display (only total configuration)			

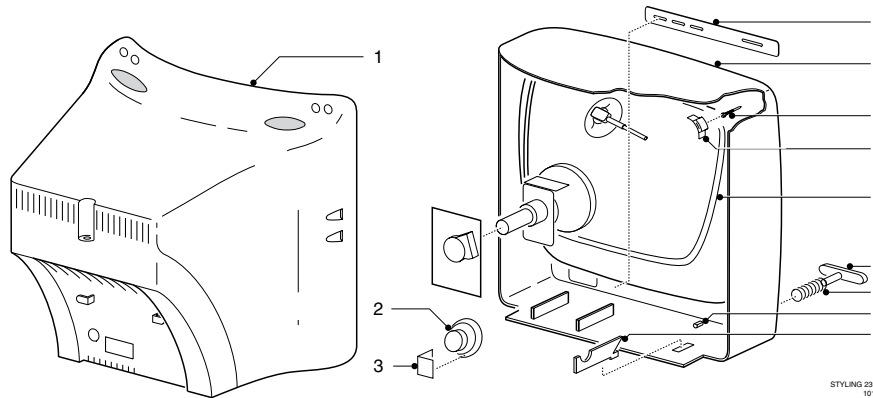
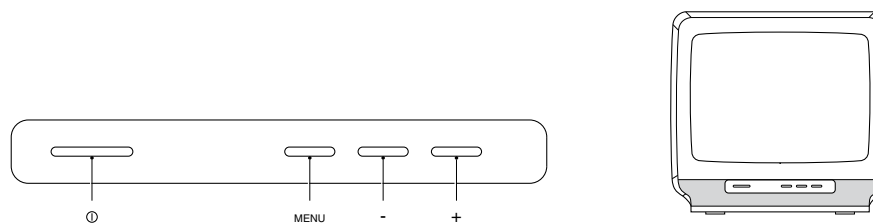
STYLING 238



Styling 238.A1
081299

1	3139 137 65481	Cabinet 25"
1	3139 137 66031	Cabinet 28"
2	3119 104 27811	Back cover 25"
2	3119 104 27830	Back cover 28"
3	4822 240 10263	Loudspeaker 8Ω 5W
4	3139 124 30881	Chassis guide (VO)
5	3135 014 08741	Bracket fix. system card
6	3139 124 30571	Cap (for -/01Z/05Z)
	3119 104 27901	Cap (for -/21R)
7	3119 107 05061	Clock display lens
8	4822 459 11155	Plastic work mark
9	4822 505 11195	CRT fixing screw
10	3104 304 14411	Coil clamp
	3111 254 23481	Bracket degaussing coil
11	4822 157 11674	Degaussing coil 25"
11	4822 157 11762	Degaussing coil 28"
12	4822 380 10251	Light guide
13	3139 124 30581	Mains knob
14	4822 410 12433	Control knob
15	4822 404 31327	Bracket fix. EPS panel
16	4822 404 31363	Mains cord relief
17	3139 124 30871	Chassis guide (HB)
	4822 131 11184	Picture tube 25" A59EAK071X11
	9301 711 10314	Picture tube 28" A66EAK071X11
	3111 257 54731	Mains cord
	4822 321 11493	Mains cord for /05Z

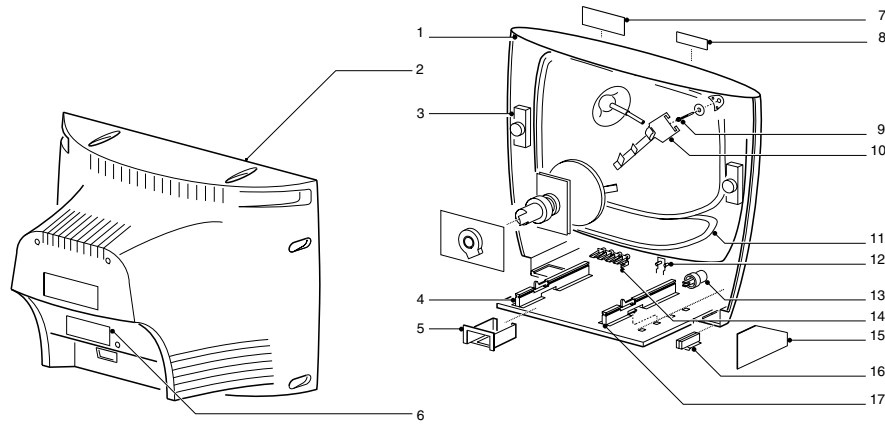
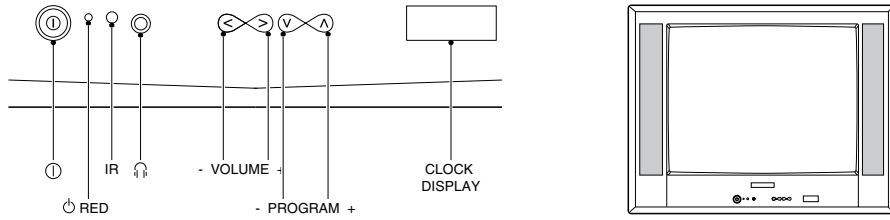
STYLING 239



STYLING 239.A1
101299

1abd*	4822 426 10106	Rear cover	8d*	2422 549 44016	Degaussing coil 14"
1egi*	4822 426 10105	Rear cover	9	4822 410 10342	Mains knob
1ch*	4822 426 10104	Rear cover	10	Not applicable	
2	4822 240 10105	Loudspeaker 25Ω 1W	11	Not applicable	
2h*	4822 240 10237	loudspeaker 8Ω 3W (-/43)	12	4822 464 10096	Chassis guide
3	4822 402 10181	Bracket for LS fixation		4822 321 11505	Mains cord for /05, /25
4adf*	3111 254 08051	Printed cover		4822 321 10814	Mains cord
4b*	3111 254 08101	Printed cover	ab*	4822 131 11357	Picture tube 14"
4c*	4822 426 10103	Printed cover			A34AGT11X91
4e*	4822 381 11708	Printed cover	ch*	4822 131 11087	Picture tube 21"
4g*	3111 254 09941	Printed cover			A51EAL135X15
4h*	3111 254 09781	Printed cover	egi*	9322 136 38682	Picture tube 20"
4l*	3111 254 09951	Printed cover			A48ECR143X18
5a*	3111 254 08191	Cabinet		4822 532 52543	Bushing CRT fixation
5bdf*	3111 254 23231	Cabinet		4822 402 10179	Cable bracket for /05
5c*	3111 254 09551	Cabinet		4822 462 10686	Stand for /05
5e*	4822 449 80193	Cabinet		4822 303 91283	Aerial
5gi*	4822 449 80044	Cabinet	d*	3111 257 56161	Rod Antenna
5h*	4822 449 80043	Cabinet		4822 462 10682	Cap CRT protection
6	4822 502 30739	Screw CRT 14"	*a	14PT1542/05	
6de*	3119 100 42081	Screw CRT 14"	*b	37TA1263/58	
7	4822 462 10682	CRT protection 14"	*c	21PT2563/11	
7e*	4822 404 30839	CRT protection 20"	*d	14PT1542/21, 14PT1342/21, /20, /25	
8ab*	4822 157 11118	Degaussing coil 14"	*e	20PT1342/00	
8chi*	3128 138 60441	Degaussing coil 21"	*f	37TA1220/58	
			*g	51TA1462/03	
			*h	52TA1420/43, /58	
			*i	51TA1262/18	

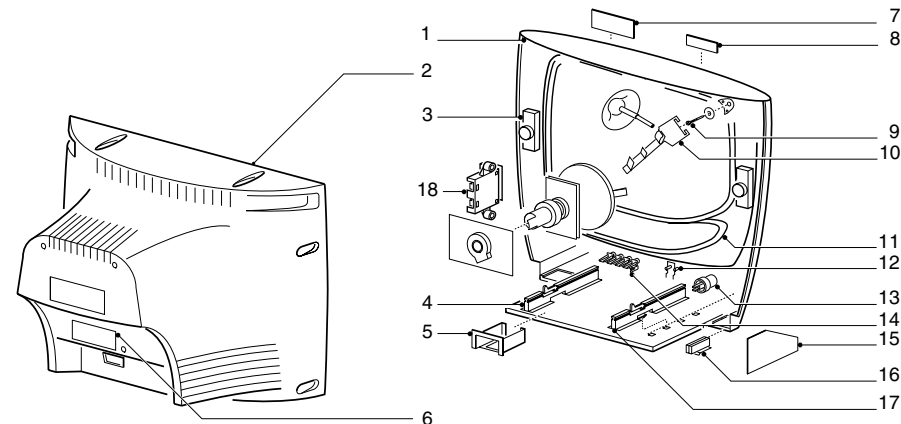
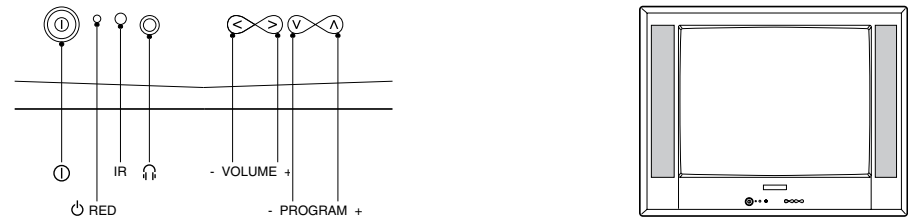
STYLING 240



Styling 240.AI
070700

1a*	3139 137 65661	Cabinet 21"	16	4822 404 31363	Mains cord relief
1b*	3119 108 52271	Cabinet 21" silver	17	4822 463 11126	Chassis guide (HB)
2	3139 137 65671	Back cover 21"		9301 738 50342	Picture tube 21" A51EAL155X47
3	4822 240 10263	Loudspeaker 8Ω 5W		4822 466 11453	Mains cord
4	4822 463 11125	Chassis guide (VO)		4822 321 11493	Mains cord UK
5	3135 014 08741	Bracket fix. System Card		4822 321 11499	Mains cord for /21R
6	3139 124 30571	Cap for -/01Z, /01S		4822 401 11765	Bracket deg coil
6	3139 104 27901	Cap for -/21R		*a	21HT5403/..R, /..Z
7	3119 107 05061	Clock display lens		*b	21HT5403/..S
8	4822 454 13197	Plastic Work mark for -/..R/..Z			
8	3139 120 01281	Plastic Work mark for -/21R			
9	4822 502 14071	CRT fixing screw			
10	4822 404 31434	Coil clamp			
11	4822 157 11532	Degaussing Coil 21"			
12	4822 380 10251	Light guide			
13a*	3139 124 30581	Mains knob			
13b*	3111 254 09911	Mains knob silver			
14a*	4822 410 12513	Control knob			
14b*	3111 254 09921	Control knob silver			
15	4822 404 31327	Bracket fix. EPS panel			

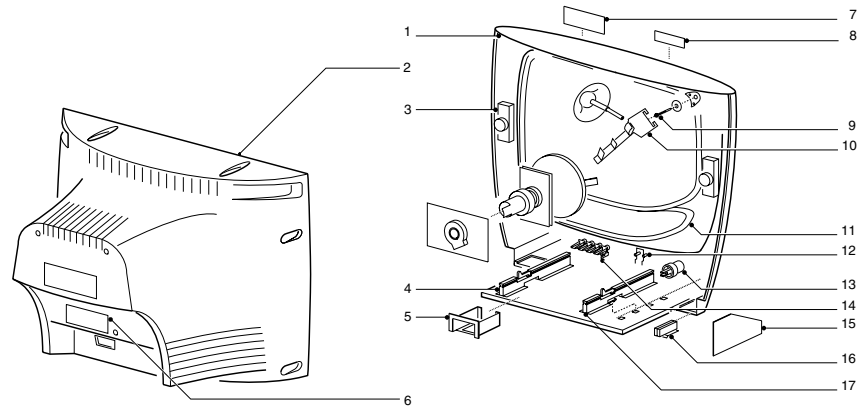
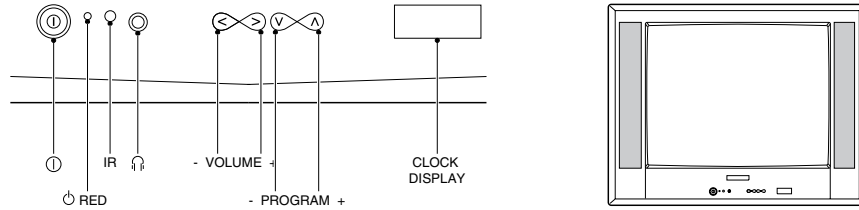
STYLING 241



Styling 241.AI
070700

1	3139 137 67351	Cabinet			
2a*	3139 124 30611	Rear cover(S+6AV)			
2b*	3139 124 30621	Rear cover(6AV)			
3	4822 240 10368	Loudspeaker 16Ω 5W			
4	4822 463 11125	Chassis guide (VO)			
5	3135 014 08752	System bracket			
6	3139 124 30571	Cap			
7	Not applicable				
8	4822 454 13197	Wordmark			
9	4822 502 14508	CRT fixation screw			
10	4822 404 31434	Degaussing coil bracket			
11	4822 157 11444	Degaussing coil			
12	4822 380 10281	Light guide			
13	3139 137 67731	Mains knob			
14	3139 137 67721	Control knob			
15	4822 404 31327	EPS bracket			
16	4822 466 11453	Mains cord relief			
17	4822 463 11126	Chassis guide (HB)			
18	4822 402 11366	Side AV bracket			
	9301 843 10329	Picture tube 21" A51EHW135X47			
	4822 532 12744	EHT spacer (3.3mm)			
	4822 532 12828	EHT spacer (2.5mm)			
*a	21HT3622				
*b	21HT3627				

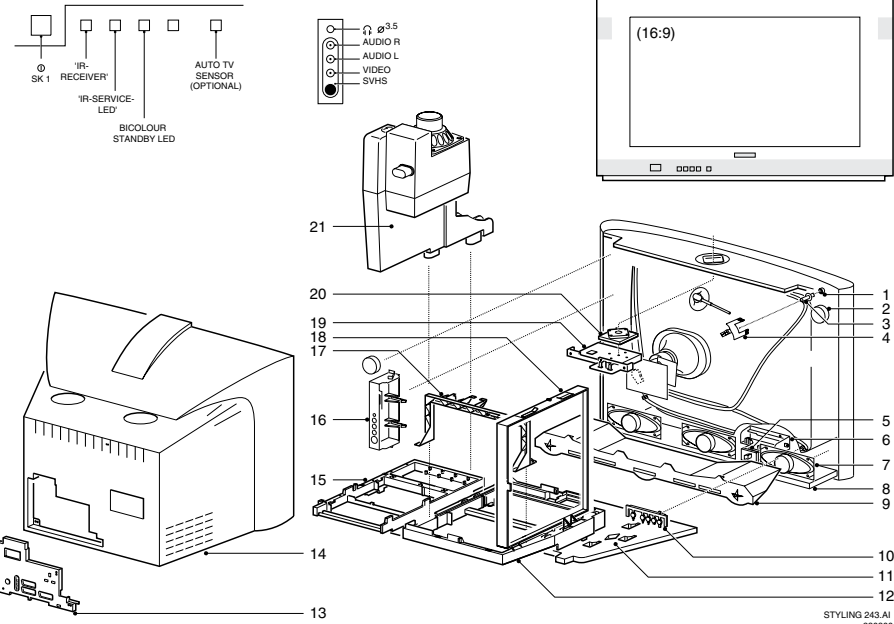
STYLING 242



STYLING 242.AJ
081100

1	3139 137 56121	Cabinet 25"	12	4822 380 10239	Light guide 25"
1	3139 137 71431	Cabinet 29"	12	4822 380 10251	Light guide 29"
2	3139 124 30161	Rear cover 25"	13	3139 137 67141	Mains knob
2a*	3139 124 30171	Rear cover 25"	14	3139 137 67541	Control knob
2b*	3139 124 30141	Rear cover 29"	15b*	4822 404 31327	ESP bracket
3	4822 240 10393	Loudspeaker 8Ω 6W	16	4822 404 31363	Mains cord relief
4	4822 463 11226	Chassis guide (VO)	17	4822 463 11225	Chassis guide (HB)
5a*	3135 014 08742	System bracket		4822 131 11366	Picture tube 25" A59EEJ71X11
6b*	3139 124 30571	No card system cap		4822 131 11298	Picture tube 29" A68ESF002X11
7	Not applicable		*a	25HT4672	
8	3139 120 01311	Wordmark 25"	*b	25, 29HT4677	
8	3141 050 00071	Wordmark 29"	*c	25HT4672/69R, 71R, 25HT4677/69Y, 57Y	
9	4822 502 14361	CRT fixation screw 25"	*d	25HT4672/79R, 25HT4677/79Y	
9	4822 500 30034	CRT fixation screw 29"			
9	3139 124 23861	EHT Spacer 25" (1.5mm)			
9	4822 532 12743	EHT Spacer 25" (2.0mm)			
10	4822 404 31434	Degaussing coil bracket			
11c*	4822 157 11537	Degaussing coil 25" (multi volt)			
11d*	4822 157 11536	Degaussing coil 25" (single volt)			
11	4822 157 11549	Degaussing coil 29" (multi volt)			

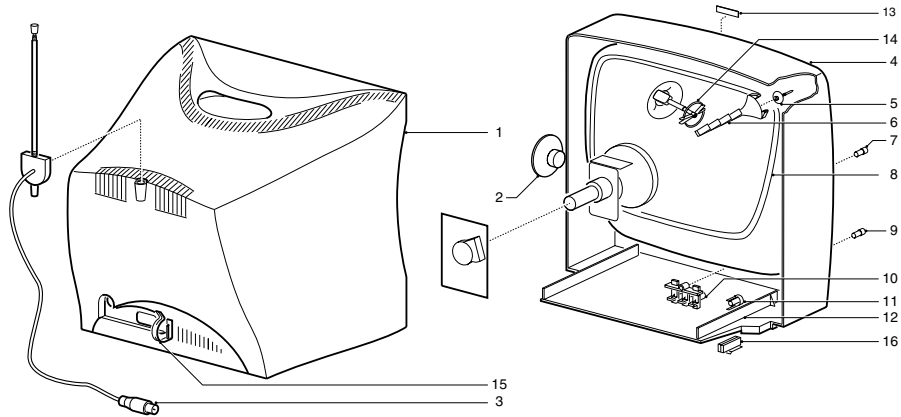
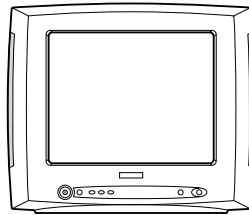
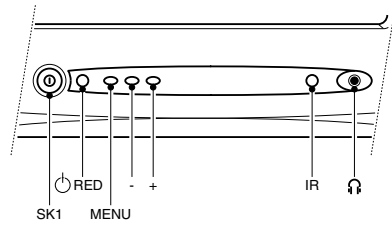
STYLING 243



STYLING 243.AJ
230300

1	4822 404 31294	Insert 36" VP19100	21abc*	4822 445 10834	Subwoofer box
2	2404 256 22443	Tweeter (2x)	21d*	3104 130 01601	Woofer box
3	Not applicable		abcd*	3104 300 12080	Matchline emblem
4	3104 304 21090	Bracket fix deg. coil (4x)	e*	3104 300 12121	Matchline emblem
5abcd*	3104 307 95880	Mains knob	abcd*	4822 454 13399	Philips emblem
5e*	3104307 96651	Mains knob	e*	3104 300 12151	Philips emblem
6	4822 402 11176	Bracket mains unit		4822 492 11079	Spring mains switch
7	2422 257 34442	Loudspeaker (3x)		3104 304 19640	Module support bracket on SSP
8a*	3104 328 04841	Cabinet		3104 304 21031	Bracket for rotation coil
8b*	3104 328 08651	Cabinet		3104 304 20300	Bracket for DAF panel
8c*	3104 328 06511	Cabinet V0		2322 460 91631	DAF potmeter 36"
8d*	3104 328 06601	Cabinet V0	ab*	2422 549 44242	Degaussing coil 36"
8e*	3104 328 09162	Cabinet	cd*	2422 549 44243	Degaussing coil 34"
9	3104 304 21380	Speaker box		4822 157 11825	Rotation coil
10	3104 304 20800	Light guide		3104 300 50300	Picture tube W86LPX955X
11ab*	4822 466 12141	Bottom plate	ab*	3104 207 09580	Remote control RC2033/01B
11cd*	4822 304 21101	Bottom plate	c*	3104 207 09601	Remote control RC2035/01
12	3104 304 19580	Frame for LSP	de*	3104 207 10321	Remote control TS1006
13a*	4822 466 12209	Coverplate		4622 009 50772	Mains cord
13b*	3104 307 94310	Coverplate		4622 009 50782	Mains cord -/05
13c*	3104 307 95301	Coverplate		2422 070 98129	Mains cord -/17
13d*	3104 307 95871	Coverplate		3104 130 01180	Set surround sound boxes -/12
14ab*	3104 307 95220	Rear cover		3104 130 01300	Set surround sound boxes -/01/19/58
14c*	3104 307 95851	Rear cover V0		3104 130 01250	Set surround sound boxes -/05
14d*	3104 307 95861	Rear cover V0	d*	2422 264 00346	Surround sound box
14e*	3104 307 96671	Rear cover	cd*	3104 300 20201	Adapter F-pin - IEC
15	4822 464 10474	Frame for SSP	cd*	3104 301 23981	Demo pin
16abc*	3104 304 20990	Bracket side I/O	cd*	3135 017 00921	Cable IR shooter
16d*	3104 304 22041	Bracket side I/O		3104 307 97111	Cover mains harmonic for -/xxR
17	3104 304 20260	LOT support bracket	*a	36PW9525	
18	4822 464 19650	Frame for supply panel	*b	36PW9765	
19	4822 464 10475	Bracket top control	*c	34PW9815	
20ab*	3104 304 21630	Keypad	*d	34PH9915	
20cd*	3104 304 22561	Keypad	*e	34PW9846	
20e*	3104 304 22401	Keypad			

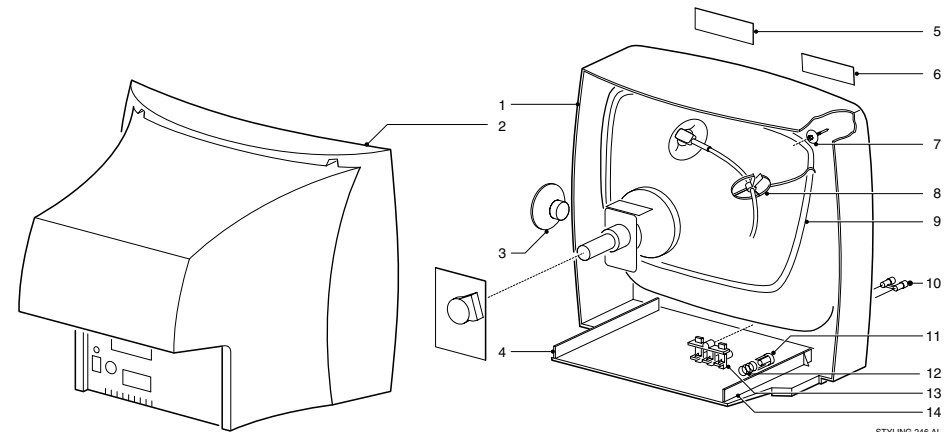
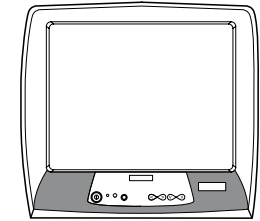
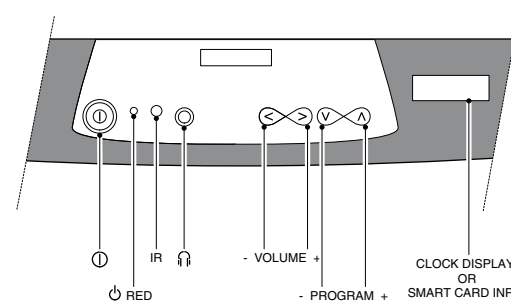
STYLING 244



STYLING 244 AJ
070700

1	3139 137 74021	Rear cover
2	3111 257 56231	Loudspeaker 8Ω 4W
3	3111 257 56161	Rod antenna
4	3139 137 74011	Cabinet 14"
5	4822 502 30739	CRT fixing screw
6	4822 404 31025	Degaussing coil bracket
7	3111 254 24131	Light guide
8	2422 549 44446	Degaussing coil 14"
9	3111 254 09801	Mains knob
10	3111 254 09791	Knob frame
11	Not applicable	
12	4822 445 10348	Chassis guide (VO)
13	3111 250 00471	Wordmark
14	4822 532 61201	EHT spacer
15	4822 404 31291	Mains cord bracket
	4822 131 11367	Picture tube 14" A34EAC01X024
	4822 321 11499	Mains cord

STYLING 246

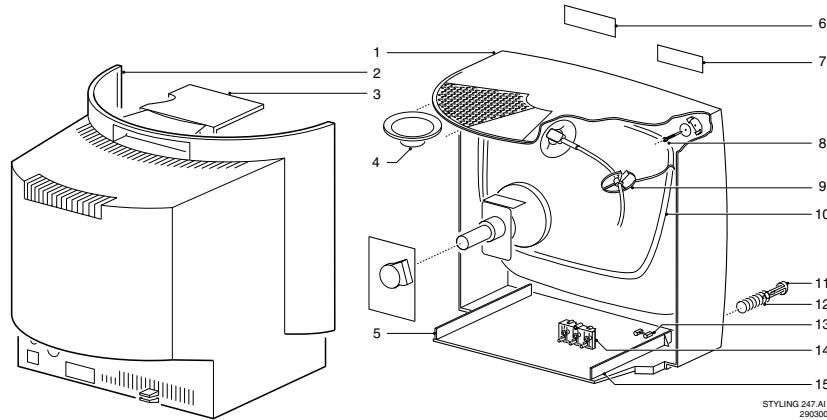
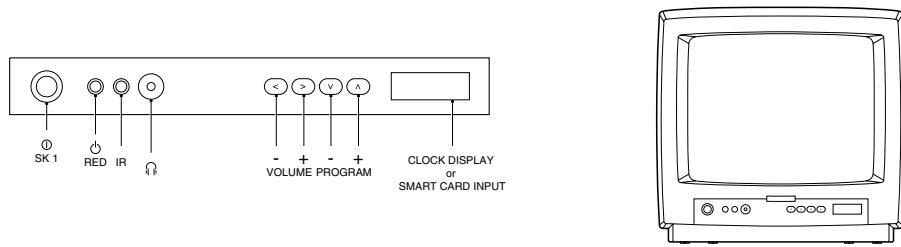


STYLING 246 AJ
170300

1	3139 137 68851	Cabinet
2	3119 104 27851	Rear cover
3	4822 240 10394	Loudspeaker 16Ω 4W full range
4	3111 254 26451	Chassis guide left
5a*	3119 104 27681	Display lens (-/01/05)
5abc*	3119 107 05071	Display lens (-/58)
5d*	3119 107 05091	Display lens
6	3111 250 00051	Wordmark PHILIPS
7	3111 250 40041	CRT fixing screw
8	3139 124 17541	EHT cable spacer
9	3128 138 60531	Degaussing coil
10	4822 380 010219	Lens
11	4822 410 11478	Mains knob
12	4822 492 32656	Spring mains knob
13	3111 254 24531	Knob frame
14	3111 254 26441	Chassis guide right
	3139 178 06261	Mains cord
	4822 321 11493	Mains cord UK
	4822 131 11314	Picture tube 20" A48ECR143X18

*a 20HT3153
*b 20HT3253
*c 20HT3303
*d 20HT4203

STYLING 247

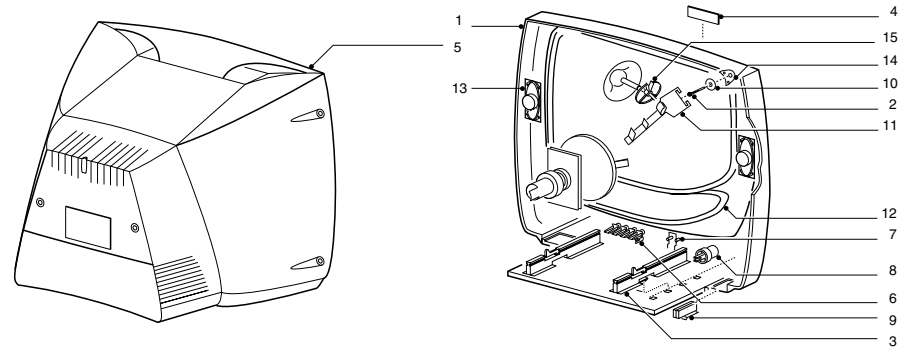
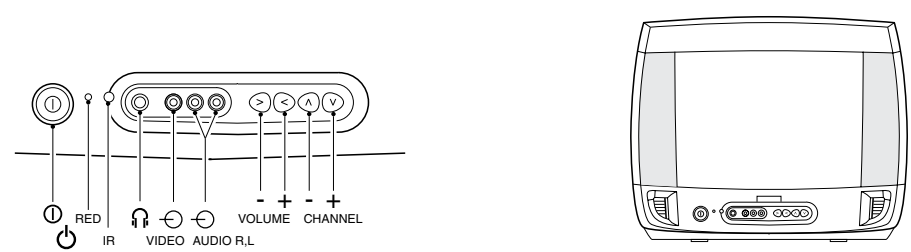


STYLING 247.AI
290500

1a*	3139 137 75461	Cabinet (+ item 6 nd 13)
1bc*	3139 137 65771	Cabinet
1d*	3139 137 68221	Cabinet
2	3119 104 27791	Rear cover
3	4822 466 93357	Screening plate for LOT
4	4822 240 50337	Loudspeaker 16Ω 5W
5	3119 104 27931	Chassis guide left
6	See item 1	Display
7	4822 459 11214	Wordmark
8	3119 100 42091	CRT fixing screw
9	3139 124 17541	EHT cable spacer
10	3128 138 60601	Degaussing coil
11	3119 104 27861	Mains knob
12	4822 492 32656	Mains knob spring
13	See item 1	Lens
14	3119 104 27871	Knob frame
15	4822 404 31326	Chassis guide right
	4822 321 11499	Mains cord
	4822 321 11493	Mains cord (-/05/25)
	4822 131 11367	Picture Tube 14" A34EAC01X024
	4822 526 10663	Multipole for picture tube

*a 14HT3153
*b 14HT3253
*c 14HT3303
*d 14HT4203

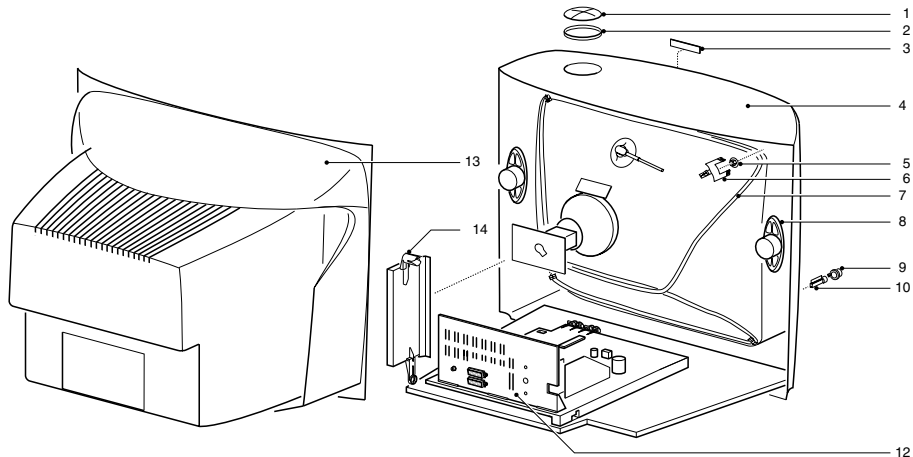
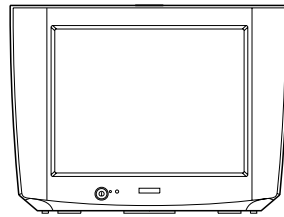
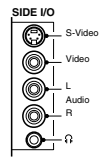
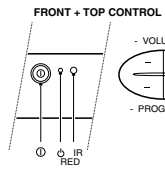
STYLING 248



STYLING 248.AI
170500

1	3139 137 73471	Cabinet
2	4822 502 14508	CRT screw / washer
3	4822 463 11125	Chassis guide VO
4	3111 250 00471	Wordmark
5	3139 137 73491	Rear cover
6	3139 137 73531	Control knob
7	3139 124 27781	Light guide
8	3139 137 73521	Mains knob
9	4822 466 11453	Mains cord relief
11	4822 404 31025	Degaussing coil bracket
12	2422 549 44446	Degaussing coil 14"
13	4822 240 10394	Loudspeaker 16Ω 4W
14	4822 532 12743	Tube spacer
	3111 257 56161	Rod antenna
	4822 303 91283	Loop antenna (for UK only)
	4822 131 11367	Picture tube 14" A34EAC01X024
	4822 532 61201	EHT spacer
	4822 321 11499	Mains cord
	4822 321 11493	Mains cord UK
	4822 404 31291	Mains cord holder

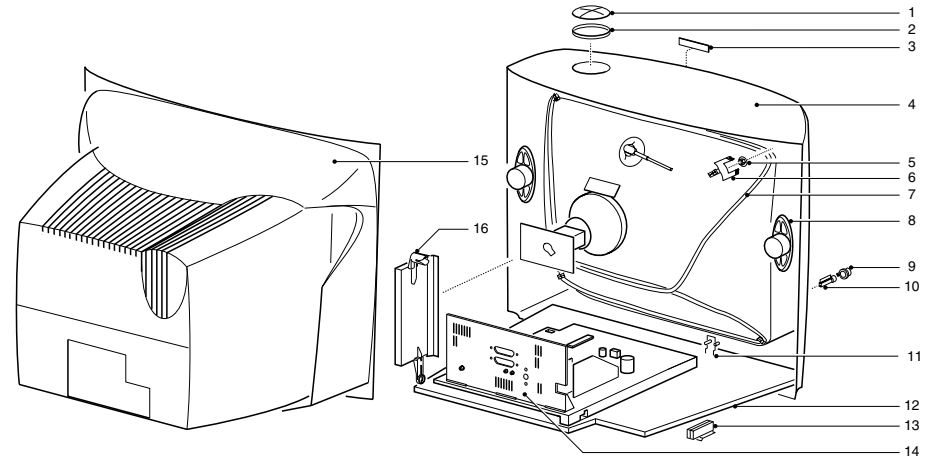
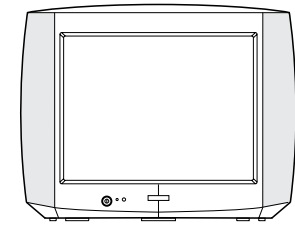
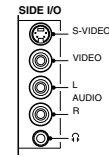
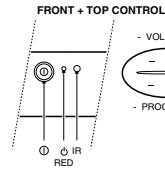
STYLING 249



12
STYLING 249, AI
220000

1	3139 137 76471	Top control cover
2	3139 124 26992	Top control bracket
3	3111 250 00701	Wordmark
4	3139 137 69591	Cabinet
5	4822 502 14071	CRT fixing screw
6	4822 404 30945	Degaussing coil bracket
7	4822 157 11532	Degaussing coil 21"
8	2422 264 00254	Loudspeaker
9+10	3139 137 75631	Mains knob silver
11	4822 403 70906	Corner coil bracket
12	3139 124 33511	Rear jack bracket
13	3139 137 69601	Rear cover
14	3139 124 32991	Side AV bracket
	4822 404 31291	Mains cord holder
	3139 124 33541	Chassis tray
	3139 124 26291	Light guide
	3122 996 47383	Spring
	4822 402 10844	PCB relief bracket
	4822 401 11764	Mains cord relief
	4822 131 11175	Picture tube 21" A51EAL155X01
	4822 321 11139	Mains cord

STYLING 250

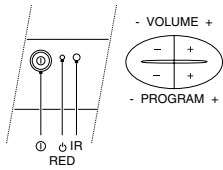


12
STYLING 250, AI
048700

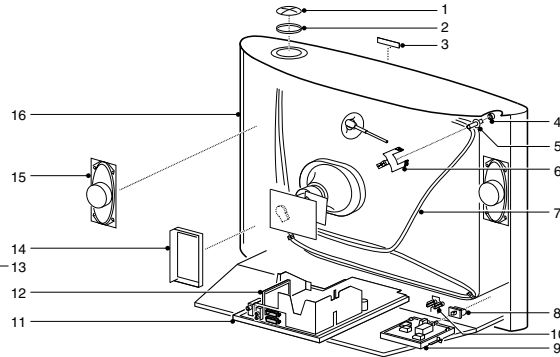
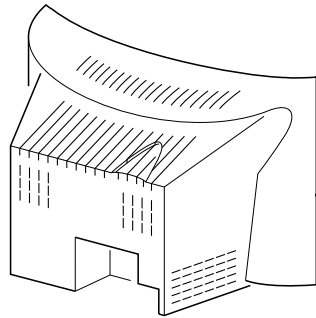
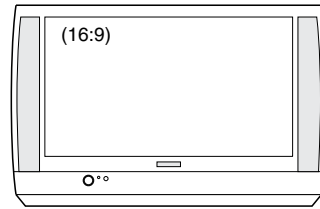
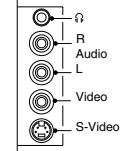
1	4822 442 01679	Top control cover	15a*	3139 137 75751	Rear cover 25"
2	3139 124 26992	Top control bracket	15cde*	3139 137 76871	Rear cover 25"
3	3111 250 00611	Wordmark	15b*	3139 137 75801	Rear cover 29"
3c*	4822 454 13462	Wordmark ARISTONA	16	3139 124 33281	Side AV bracket
3d*	4822 454 13466	Wordmark SBR		9301 720 50314	Picture tube 25" A59EAK552X11
3e*	4822 454 13464	Wordmark RADIOLA			
4a*	3139 137 75741	Cabinet 25"		4822 131 11298	Picture tube 29" A68ESF002X111
4b*	3139 137 75791	Cabinet 29"			
4c*	3139 137 76851	Cabinet 25" ARISTONA	cde*	4822 410 12281	Mains knob
4d*	3139 137 76971	Cabinet 25" SBR	b*	3139 137 75631	Mains knob
			a*	3139 137 76331	Mains knob
				4822 321 11139	Mains cord
4e*	3139 137 76981	Cabinet 25" RADIOLA	ab*	4822 402 11183	Mains cord Holder
5	4822 502 14071	CRT fixing screw			
5b*	4822 532 61201	Tube spacer	*a	25PT5305/00, /01, /58	
6acde*	4822 401 11765	Degaussing coil bracket	*b	29PT5305/00	
6acde*	4822 403 70906	Degaussing coil bracket	*c	63TA5215/03	
6b*	4822 492 71627	Degaussing coil bracket	*d	63TA5215/11	
7	4822 157 11551	Degaussing coil 29"	*e	63TA5215/18	
7	4822 157 11674	Degaussing coil 25"			
8	4822 240 10263	Loudspeaker 8Ω 5W			
8b*	4822 240 10393	Loudspeaker 8Ω 5W			
11a*	4822 380 10239	Light guide			
11b*	4822 380 10238	Light guide			
12	3139 124 33541	Chassis tray			
13	4822 401 11764	Mains cord relief			
14	3139 124 33511	Rear jack bracket			

STYLING 252

FRONT + TOP CONTROL



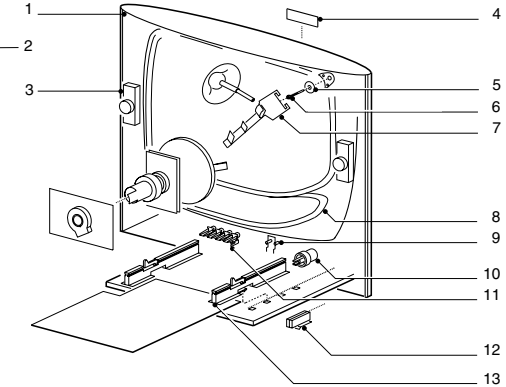
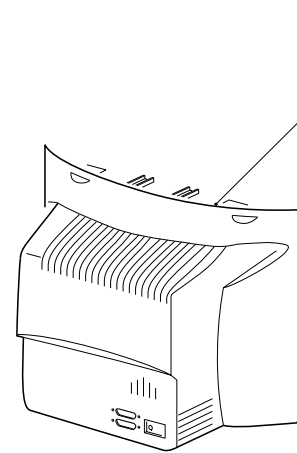
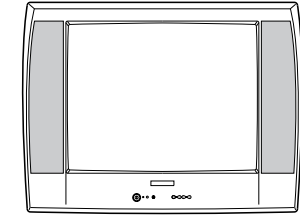
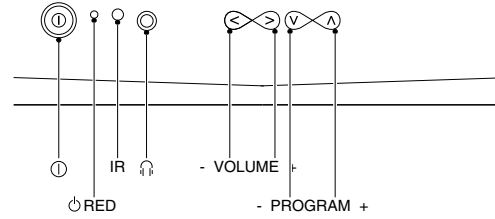
SIDE I/O



STYLING 252.AI
300600

1/2abc*	3139 178 61961	Top control assy	15aef*	2422 264 00381	Speaker 8Ω 10W
1/2def*	3139 178 86551	Top control assy	15bcd*	4822 240 10368	Speaker YDT0613-62BP
3ae*	3111 250 00621	Wordmark 32"	16ae*	3139 137 74731	Cabinet painted 32" WS
3bcd*	4822 454 13442	Wordmark 28", 24"	16bd*	3139 137 70521	Cabinet painted 28" WS
4	Not applicable		16f*	3139 137 77161	Cabinet painted 28" WS (Nat. brand)
5abdef*	4822 502 14602	CRT screw 28", 32"	16c*	3139 137 70511	Cabinet painted 24" WS
5c*	4822 505 11195	CRT screw 24"		4822 321 11425	Mains cord
6abdef*	4822 403 70906	Bracket fix degaussing coil 28", 32"		4822 321 11143	Mains cord UK
6c*	3104 304 18634	Bracket coil corner 24"	*a	32PW6005	
7ae*	2422 549 44258	Degaussing coil 32"	*b	28PW6005	
7bdf*	2422 549 44248	Degaussing coil 28"	*c	24PW6005	
7c*	2422 549 44263	Degaussing coil 24"	*d	28PW5405	
8abdef*	3139 137 75631	Mains knob assy 32", 28"	*e	32PW5405	
8c*	3139 137 75621	Mains knob assy 24"	*f	70WA6215	
9	Not applicable				
10c*	4822 380 10239	Light guide 24"			
10abdef*	4822 380 10238	Light guide 28", 32"			
11	3139 124 32541	Bracket for LSP			
12	3139 124 33361	Supporting bracket for SSB			
13a*	3139 124 31761	Rear cover 32" WS			
13b*	3139 124 31221	Rear cover 28" WS			
13c*	3139 124 25772	Rear cover 24" WS			
13df*	3139 124 34622	Rear cover 28" WS			
13e*	3139 124 34632	Rear cover 32" WS			
14	3104 304 22191	Bracket for Side I/O panel			

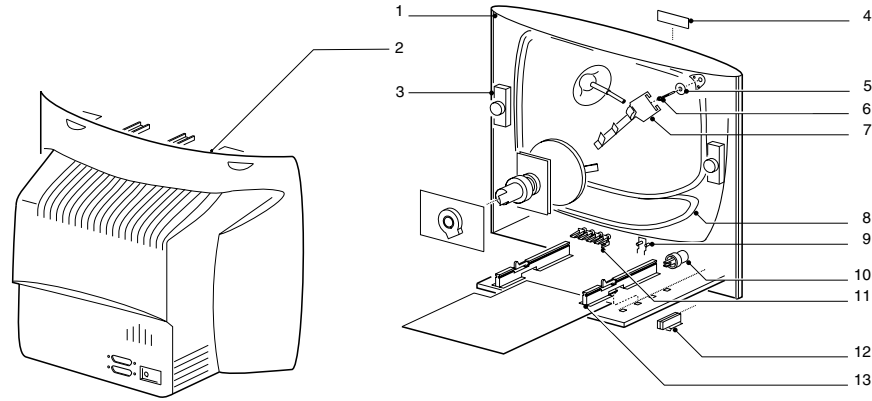
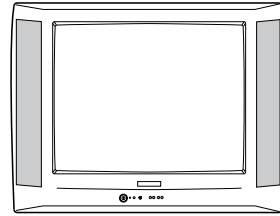
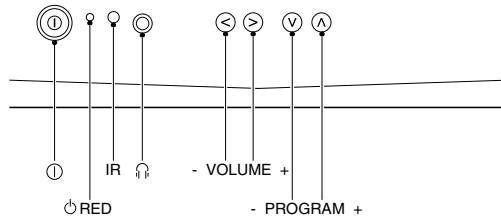
STYLING 255



Styling 255.AI
220600

1ac*	3139 137 53121	Cabinet 25"	11abce*	4822 410 12433	Control knob
1h*	3139 137 55231	Cabinet 25"	11	3139 124 27071	Control knob
1f*	3139 137 55251	Cabinet 25"	12a*	3122 224 04623	Mains cord relief
1g*	3139 137 65721	Cabinet 25" RADIOLA	12	4822 404 31363	Mains cord relief
1be*	3139 137 53131	Cabinet 28"	13abcdef*	3139 124 30871	Chassis guide (HB) right
1j*	3139 137 55391	Cabinet 28" ARIS	13abcdef	3139 124 30881	Chassis guide (V0) left
1k*	3139 137 55411	Cabinet 28" SBR		3104 304 14411	Corner coil bracket
1m*	3139 137 55431	Cabinet 28" RLA	cdfghjkm*	4822 402 10844	PCB relief bracket
1n*	3139 137 53351	Cabinet 28"	abcdfgh*	4822 131 11184	Picture tube 25" A59EAK071X11
2a*	3139 137 65831	Rear cover 25"	bejkm*	9301 711 10314	Picture tube 28" A66EAK071X11
2h*	3139 137 65851	Rear cover 25"	n*	9322 157 16682	Picture tube 28" A66EMZ43X07
2bcdfg*	4822 426 10836	Rear cover 25" SCART	abefghjkm*	4822 321 11139	Mains cord
2en	3139 137 65841	Rear cover 28"		4822 321 11499	Mains cord
2jkm	3139 124 27032	Rear cover 28"		4822 380 10251	Light guide
3	4822 240 10368	Loudspeaker		4822 240 10263	Loudspeaker 8Ω 5W
4abcdef*	3122 220 00182	Wordmark	*a	25PT4104/58	
4	4822 459 11155	Wordmark	*b	25PT4375/01	
5+6	4822 505 11195	CRT fixing screw	*c	25PT4655/00	
7	3111 254 23481	Coil clamp	*d	25PT4675/01	
7	4822 401 11765	Degaussing coil bracket	*e	28PT4104/58	
7	4822 403 70906	Corner coil bracket	*f	63TA4415/11	
8abcdfgh*	4822 157 11674	Degaussing coil 25"	*g	63TA4415/18	
8bejkmn*	4822 157 11762	Degaussing coil 28"	*h	63TB4395/19	
10	3139 124 30581	Mains knob	*j	70TA4415/03	
11bdfghjkm*	3139 124 27071	Control knob	*k	70TA4415/11	
			*m	70TA4415/18	
			*n	28PT4404/30	

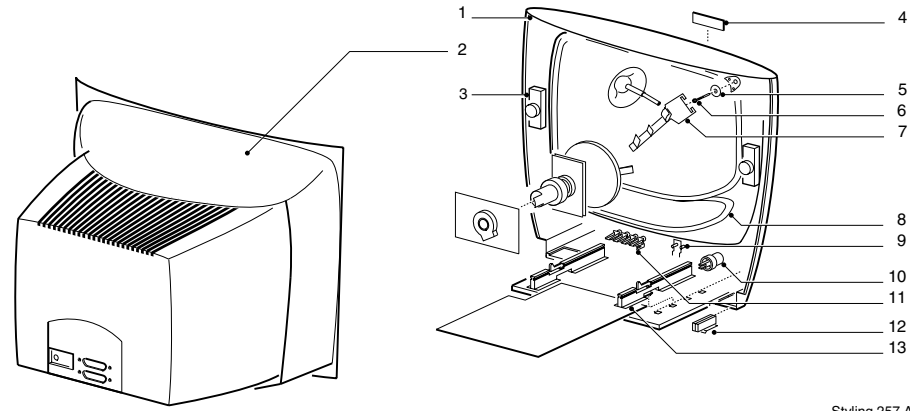
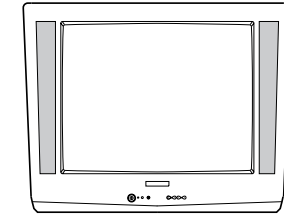
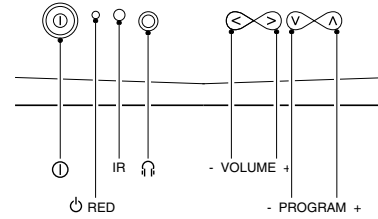
STYLING 256



Styling 256.AI
200600

1a*	3139 137 53121	Cabinet 25"	11ch*	3139 124 27071	Control knob
1b*	4822 449 80339	Cabinet 25"	12	4822 404 31363	Mains cord relief
1c*	3139 137 55211	Cabinet 25"	13	3139 124 30881	Chassis guide left (VO)
1dk*	3139 137 53201	Cabinet 25"	13	3139 124 30871	Chassis guide right (HB)
1m	4822 240 10263	Cabinet 25"		4822 131 11184	CRT 25" A59EAK071X11
1efj*	4822 449 80338	Cabinet 28"	cdk*	9322 147 09682	CRT 25" A59EMZ43X07
1g*	3139 137 52881	Cabinet 28"		4822 131 11045	CRT 28" A66EAK071X11
1h*	3139 137 53381	Cabinet 28"	fh*	9322 147 08682	CRT 28" A66ECF50X05
2ab*	4822 426 10836	Rear cover 25"		4822 321 11499	Mains cord
2cdkm*	3139 137 53151	Rear cover 25"		4822 321 11493	Mains cord UK
				4822 240 10263	Loudspeaker 8Ω 5W
2ehj*	4822 426 10833	Rear cover 28"	*a	25PT4275/01, 25PT4475/58	
2fg*	3139 137 52891	Rear cover 28"	*b	25PT4455/00, 25PT4475/01, /05	
3	4822 240 10263	Loudspeaker 8Ω 5W	*c	25PT4455/20	
4	4822 459 11155	Wordmark PHILIPS	*d	25PT4475/21, /48	
4	3122 220 00182	Wordmark	*e	28PT4255/00	
5/6	4822 505 11195	CRT fixing screw	*f	28PT4255/20, 28PT4475/21	
7	4822 401 11765	Degaussing coil bracket	*g	28PT4275/01, 28PT4455/00, 28PT4475/58	
7	4822 240 10263	Corner coil bracket	*h	28PT4455/20	
7	4822 403 70906	Corner coil bracket	*j	28PT4475/01, /05	
8	4822 157 11674	Degaussing coil 25"	*k	25PT4275/21	
			*m	25PT4275/00	
8	4822 157 11762	Degaussing coil 28"			
9	4822 380 10251	Light guide			
10	3139 124 30581	Mains knob green			
10bj*	4822 410 11766	Mains knob green			
11	4822 410 12433	Control knob			

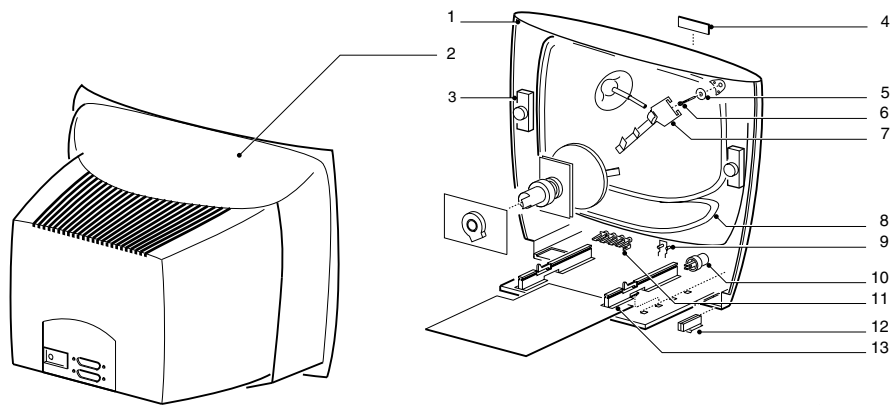
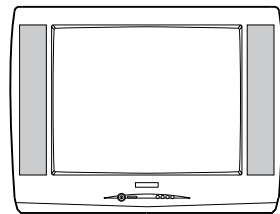
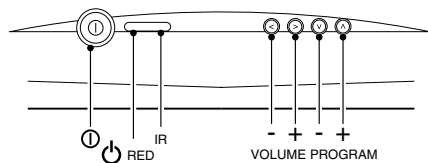
STYLING 257



Styling 257.AI
200600

1g*	3139 137 53041	Cabinet 28"	11bg*	4822 410 12432	Control knob
1b*	3139 137 54251	Cabinet 25"	12	4822 404 31363	Mains cord relief
1d*	3139 137 77891	Cabinet 28"	13	3139 124 30871	Chassis guide (HB)
1a*	4822 449 80336	Cabinet 25"	13	3139 124 30881	Chassis guide (VO)
1cef*	4822 449 80341	Cabinet 28"		4822 321 11493	Mains cord UK (only /05)
				4822 321 11499	Mains cord
1	3111 257 57201	Cabinet 28"		4822 403 70906	Corner coil bracket
2dg*	3139 137 53061	Rear cover 28"	a*	4822 131 20568	Picture tube 25"
2b*	3139 137 54261	Rear cover 25"			A59EAK552X11
2a*	4822 426 10831	Rear cover 25"	b*	9301 720 50314	Picture tube 25"
2cef*	4822 426 10832	Rear cover 28"			A59EAK552X11
			cd*	9301 711 10314	Picture tube 28"
2	3139 137 88991	Rear cover 28"			A66EAK071X11
3	4822 240 10263	Loudspeaker 8Ω 5W	e*	9322 147 08682	Picture tube 28"
3	4822 240 10368	Loudspeaker 16Ω 5W			A66ECF50X05
4	4822 459 11155	Wordmark PHILIPS	fg*	4822 131 20559	Picture tube 28"
6	4822 505 11195	CRT fixing screw			A66EAK552X11
7f*	4822 192 71627	Degaussing coil bracket 28"	*a	25PT5005/5025	
7	4822 401 11765	Degaussing coil bracket 28"	*b	25PT5105/58	
7a*	4822 404 31434	Degaussing coil bracket 25"	*c	28PT4755/00, 28PT4775/01	
7	4822 157 11762	Degaussing coil bracket 28"	*d	28PT4755/00S	
8	4822 157 11674	Degaussing coil 25"	*e	28PT4775/21	
			*f	28PT5005/5025	
8	4822 157 11762	Degaussing coil 28"	*g	28PT5105/58	
9	4822 380 10251	Light guide			
10af*	4822 410 11766	Mains knob			
10	3139 124 30581	Mains knob			
11	4822 410 11765	Control knob			

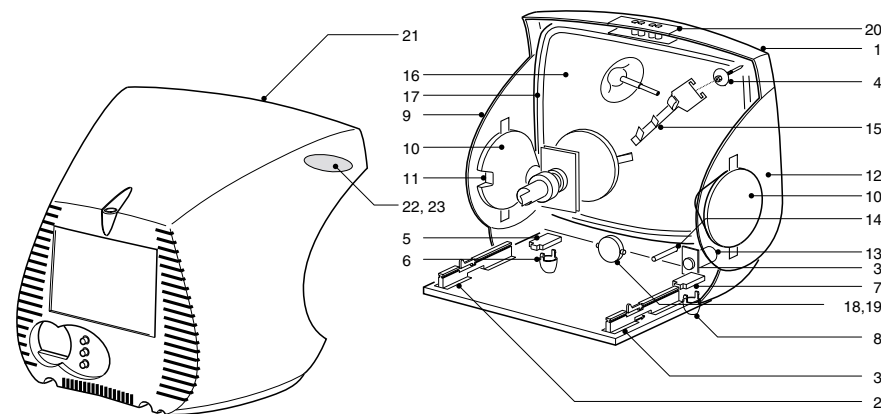
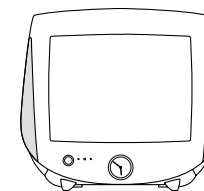
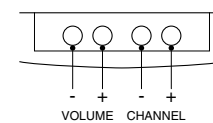
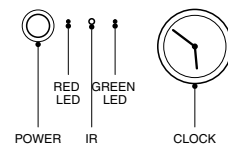
STYLING 258



Styling 258.A1
070700

1a*	4822 449 80342	Cabinet 25"	9	4822 380 10251	Light guide
1b*	3139 137 54251	Cabinet 25"	10bde*	3139 124 30581	Mains knob
1g*	3139 137 86511	Cabinet 25"	10acf*	4822 410 11766	Mains knob
1e*	3139 137 77941	Cabinet 28"	10g*	3139 124 30581	Mains knob green
1c*	4822 449 80337	Cabinet 28"	11	4822 410 12432	Control knob
1df*	3139 137 53041	Cabinet 28"			
2b*	3139 137 54261	Rear cover 25"	12	4822 404 31363	Mains cord relief
2a*	4822 426 10831	Rear cover 25"	13	3139 124 30871	Chassis guide (HB)
2g*	3139 137 87351	Rear cover 25"	13	3139 124 30881	Chassis guide (VO)
2cde*	3139 137 53061	Rear cover 28"		4822 131 20559	Picture tube 28"
				4822 131 20568	A66EAK552X11
					Picture tube 25"
					A59EAK552X11
2f*	4822 426 10832	Rear cover 28"		4822 321 11493	Mains cord UK
3	4822 240 10263	Loudspeaker 8Ω 5W		4822 321 11499	Mains cord
4	4822 459 11155	Wordmark PHILIPS			
6	4822 505 11195	CRT fixing screw			
7c*	4822 192 71627	Degaussing coil clamp 28"	*a	25PT5105/5125	
7bdefg*	4822 401 11765	Degaussing coil bracket	*b	25PT5105/58	
7bdefg*	4822 403 70906	Corner coil bracket	*c	28PT5105/5125	
7a*	4822 404 31434	Degaussing coil clamp 25"	*d	28PT5105/58	
8	4822 157 11674	Degaussing coil 25"	*e	28PT5155/00S	
8	4822 157 11762	Degaussing coil 28"	*f	28PT5205	
			*g	25PT5155/00S	

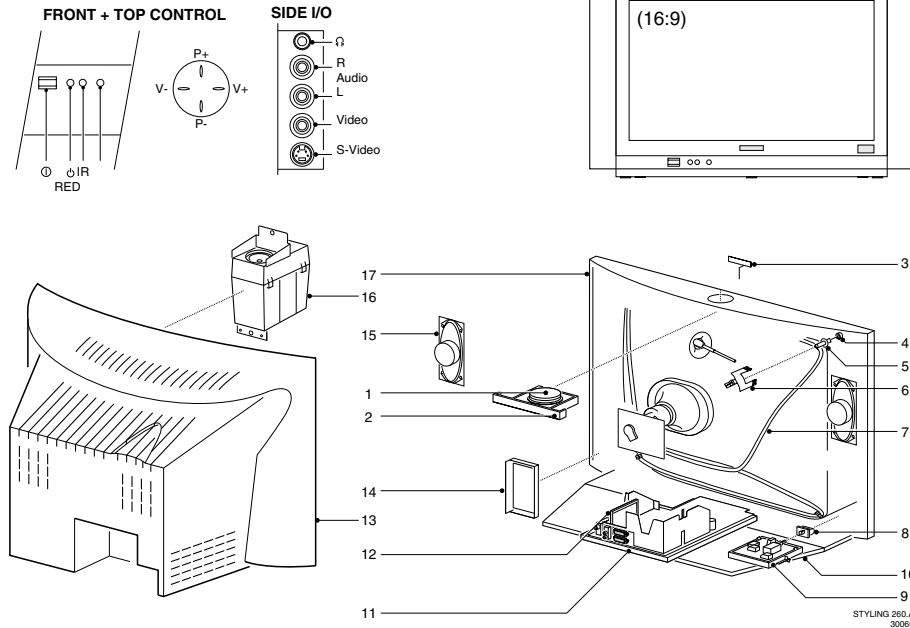
STYLING 259



STYLING 259.A1
280400

1	3139 137 66461	Cabinet	16	4822 131 11367	Picture tube 14"
2	3139 137 68301	Chassis guide			A34EAC01X024
3	4822 463 11166	Chassis guide	17	3128 138 60601	Degaussing coil
4	3119 100 42091	CRT screw	18, 19	3111 257 55891	Clock
5	3139 124 30341	Foot bracket L	20	3139 137 68451	Top control bracket
			21	3139 137 66571	Rear cover
6	3139 124 30291	Foot L			
7	3139 124 30351	Foot bracket R	22	3139 137 66551	Cover plate L
8	3139 124 30301	Foot R	23	3139 137 66561	Cover plate R
9	3139 124 31491	Speaker cover plate L			
10	3139 137 68741	Speaker grill (L&R)	a*	3139 128 75851	Rod antenna
			b*	3139 128 75861	Loop antenna
11	3139 178 67111	Loudspeaker	a*	3139 178 56921	Mains cord
12	3139 124 31501	Speaker cover plate R	b*	4822 321 11493	Mains cord UK
13	3139 137 66581	Mains knob		4822 526 10663	Multipole
14	3139 124 31391	Light guide		3139 131 00791	FM aerial
15	3139 124 10113	Degaussing coil bracket	*a	14PT3685/00, /01	
			*b	14PT3685/05	

STYLING 260

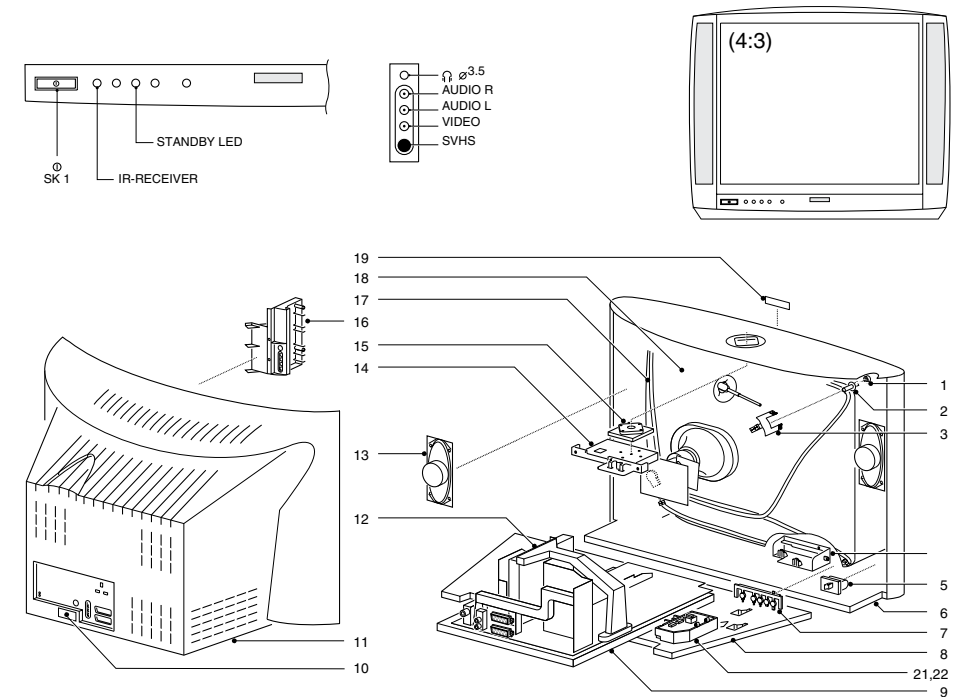


1/2	3139 178 82271	Top control assy
3a*	3111 220 00182	Wordmark 28"
3b*	3111 250 00581	Wordmark 32"
4	Not applicable	
5a*	4822 505 11195	CRT screw 28"
5b*	4822 502 14602	CRT screw 32"
6	4822 403 40035	Bracket fix degaussing coil
7a*	4822 157 11758	Degaussing coil 28"
7b*	2422 549 44564	Degaussing coil 32"
8	3139 137 72011	Mains knob assy
9	3139 178 60431	Bracket for Front control panel
10	Not applicable	
11	3139 124 32541	Bracket for LSP
12	3139 124 33361	Supporting bracket for SSB
13a*	3139 124 32101	Rear cover 28"
13b*	3139 124 32041	Rear cover 32"
14	3139 124 31651	Bracket for Side I/O panel
15	2422 264 00377	Loudspeaker
16	3139 178 75931	Subwoofer assy
17a*	3139 137 70021	Cabinet painted 28" WS
17b*	3139 137 70041	Cabinet painted 32" WS
	3139 124 33811	Light guide
	9301 805 90314	Picture tube 28" W66ERF001X013
	9301 800 90314	Picture tube 32" W76ERF001X013

*a 28PW6515
*b 32PW6515

STYLING 260.AI
300600

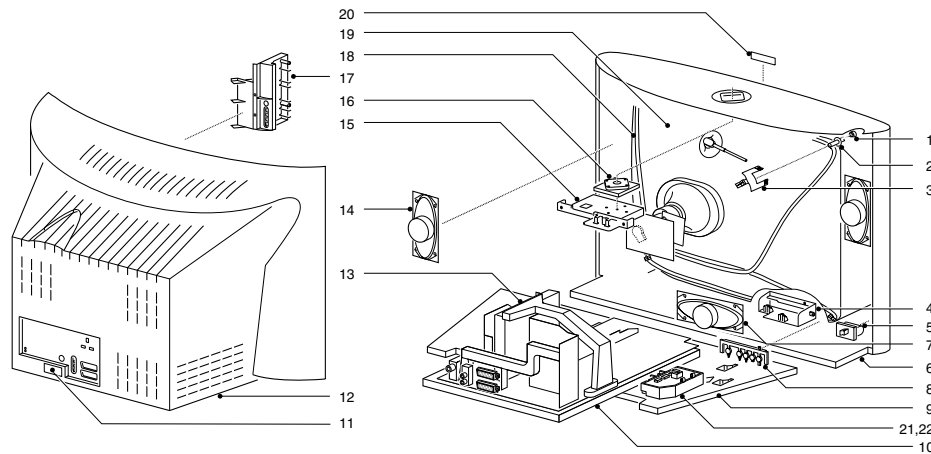
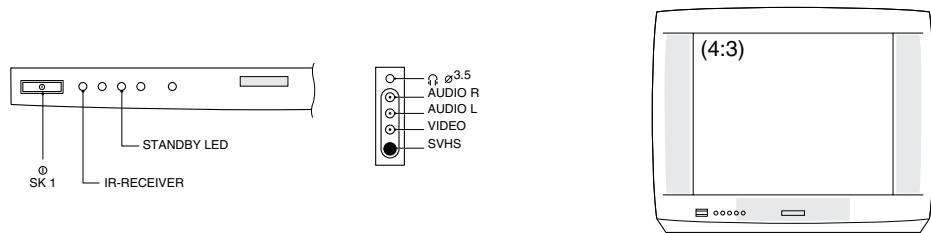
STYLING 261



1	not applicable			
2	4822 505 11195	Picture tube screw		
3	4822 403 70906	Bracket fix deg. coil		
4	4822 402 11176	Bracket mains unit		
5ab*	4822 410 12069	Mains knob		
5cd*	3104 307 95961	Mains knob		
6a*	3104 328 01612	Cabinet		
6b*	4822 449 80289	Cabinet		
6c*	3104 328 06052	Cabinet		
6d*	3104 328 07142	Cabinet		
7a*	3104 304 19722	Light guide		
7bcd*	3104 304 19812	Light guide		
8a*	3104 304 21264	Bottom plate		
8bcd*	3104 304 21274	Bottom plate		
9	3104 304 21303	Bracket LSP		
10acd*	3104 304 21641	Service connector cover		
10b*	3104 304 21772	Service connector cover		
11a*	3104 328 06092	Rear cover		
11b*	3104 328 06112	Rear cover		
11cd*	3104 328 06101	Rear cover		
12	3104 264 00296	Support bracket LOT/SSB		
13	4822 240 10331	Loudspeaker		
14	4822 464 10475	Bracket Top control panel		
15ab*	3104 304 21711	Keypad		
15cd*	3104 304 22121	Keypad		
16ab*	4822 402 11175	Bracket Side I/O panel		
16cd*	3104 304 22111	Bracket Side I/O panel		
17	2422 549 44385	Degaussing coil		
18a*	9301 735 10306	CRT 25"		
18bcd*	9301 732 90303	CRT 28"		
19ab*	4822 459 11127	Wordmark Philips		
19c*	4822 250 00291	Wordmark Philips		
19d*	4822 454 13462	Wordmark Aristona (/03)		
19d*	3122 220 00623	Wordmark SBR (/11)		
20	3104 304 22751	Bracket Mains harmonic (only for /xxR)		
21	3104 304 22762	Cover Mains harmonic (only for /xxR)		
	3104 301 23951	SSB shielding (top)		
	3104 301 23962	SSB shielding (bottom)		
	4822 321 11499	Mains cord		
	4822 402 11183	Mains cord holder		
*a	25PT7106			
*b	28PT7106			
*c	28PT7306			
*d	70TA7216			

STYLING 261.AI
081100

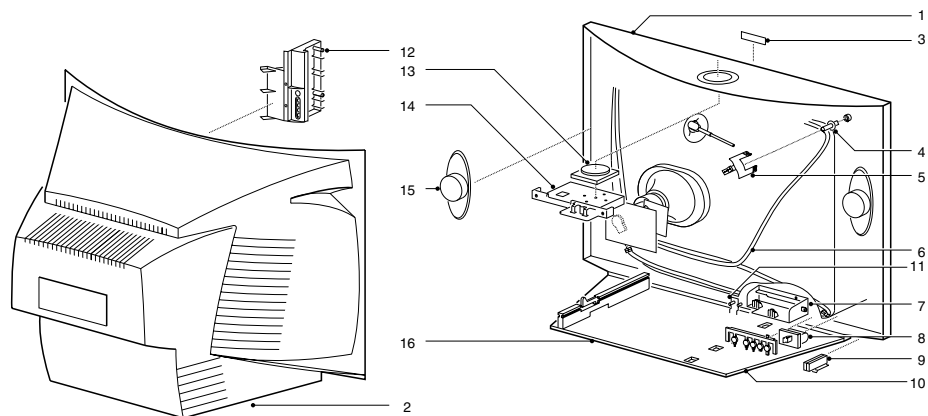
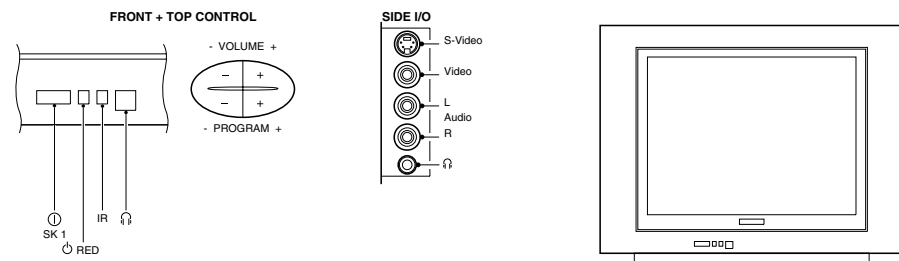
STYLING 262



STYLING 262-A1
081100

1	Not applicable		21	3104 304 22751	Bracket Mains harmonic (only for /xxR)
2	4822 505 11195	Picture tube screw	22	3104 304 22762	Cover Mains harmonic (only for /xxR)
3	4822 403 70906	Bracket fix degaussing coil		3104 301 23951	SSB shielding (top)
	4822 402 11176	Bracket mains unit		3104 301 23962	SSB shielding (bottom)
5	3104 307 95961	Mains knob		4822 321 11499	Mains cord
				4822 402 11183	Mains cord holder
6	3104 307 21451	Cabinet			
7	Not applicable		29PT8006		
8	3104 304 19812	Light guide	29PT8306		
9	3104 304 21274	Bottom plate	29PT8346		
10	3104 304 21303	Bracket LSP			
11	3104 304 21641	Service connector cover			
12	3104 304 22051	Rear cover			
13	3104 264 00296	Support bracket LOT/SSB			
14	2422 257 20546	Loudspeaker			
15	4822 464 10475	Bracket Top control panel			
16	3104 304 22121	Keypad Top control			
17	3104 304 22111	Bracket Side I/O			
18	2422 549 44383	Degaussing coil			
19	4822 131 11311	CRT			
20	4822 250 00291	Wordmark			

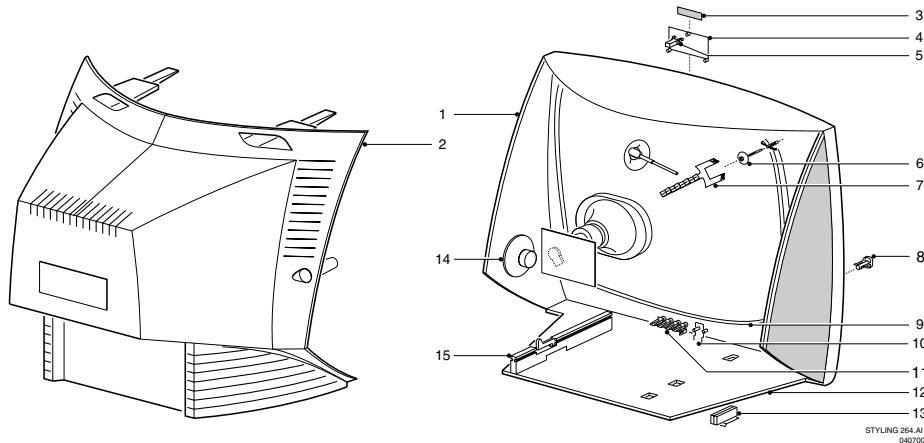
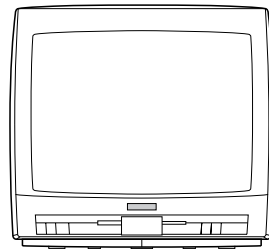
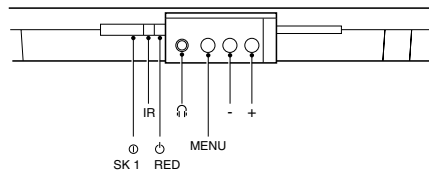
STYLING 263



STYLING 263-A1
040700

1	3139 137 73541	Cabinet
2	3139 137 73551	Rear cover
3	3111 250 00481	Wordmark
4	4822 505 11195	CRT fixing screw
5	3139 124 33471	Degaussing coil bracket
6	4822 157 11532	Degaussing coil 21"
7	Not applicable	
8	3139 137 76521	Mains knob
9	4822 404 31291	Mains cord holder
10	3139 124 33341	VO plate
11	3139 124 32221	Light guide
12	3139 124 32241	Side AV bracket
13	3139 137 66921	Top control button
14	3139 124 30381	Top control bracket
15	2422 264 00394	Loudspeaker 5W
16	3139 124 30811	Chassis guide (VO)
	9322 153 82682	Picture tube 21" A51LSK955X01
	4822 321 11499	Mains cord
	4822 321 11493	Mains cord UK

STYLING 264

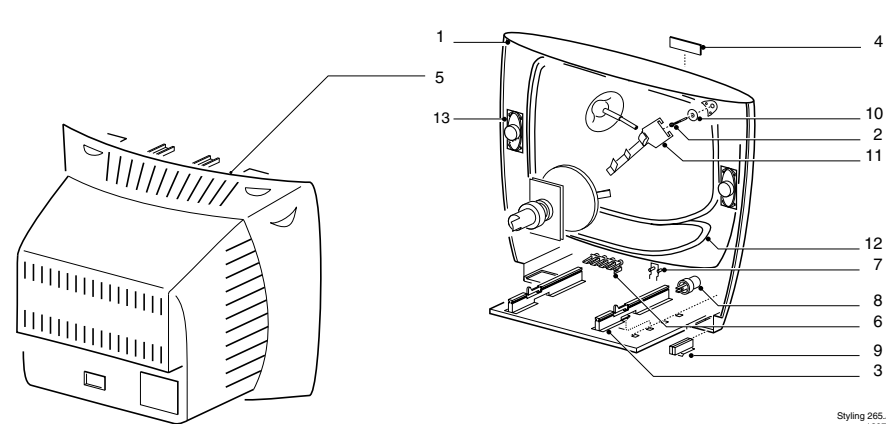
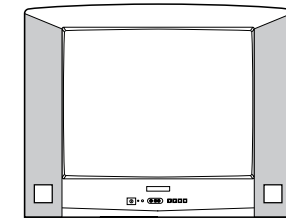
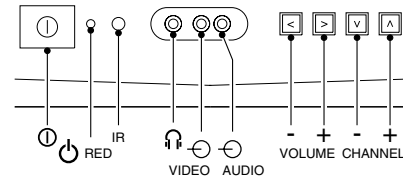


STYLING 264.AJ
940700

1a*	3139 137 73821	Cabinet
1b*	3139 137 77041	Cabinet
2a*	3139 124 32291	Rear cover
2b*	3139 124 35311	Rear cover
3a*	3111 250 00641	Wordmark
3b*	3111 250 00051	Wordmark
4a*	3139 137 76441	Door
4b*	3139 137 77061	Door
5	3139 121 26911	Spring for door
6	4822 502 14508	Screw & washer
7	4822 404 30945	Degaussing coil bracket
7	4822 401 11765	Coil & THT clamp
8a*	3139 137 76451	Mains knob
8b*	3139 137 77081	Mains knob
9	4822 157 11532	Degaussing coil
10	3139 124 32301	Light guide
11a*	3139 137 77071	Control knob
11b*	3139 137 76461	Control knob
12	3139 124 33291	Plate VO
13	4822 404 31291	Main cord holder
14	4822 240 10396	Speaker 16Ω 5W
15	3139 124 30811	Chassis guide (VO)
	4822 321 11425	Mains cord
	4822 321 11493	Mains cord UK
	4822 131 11105	Picture Tube 21" A51EAL155X47

*a 21PT2665
*b 21PT2665

STYLING 265

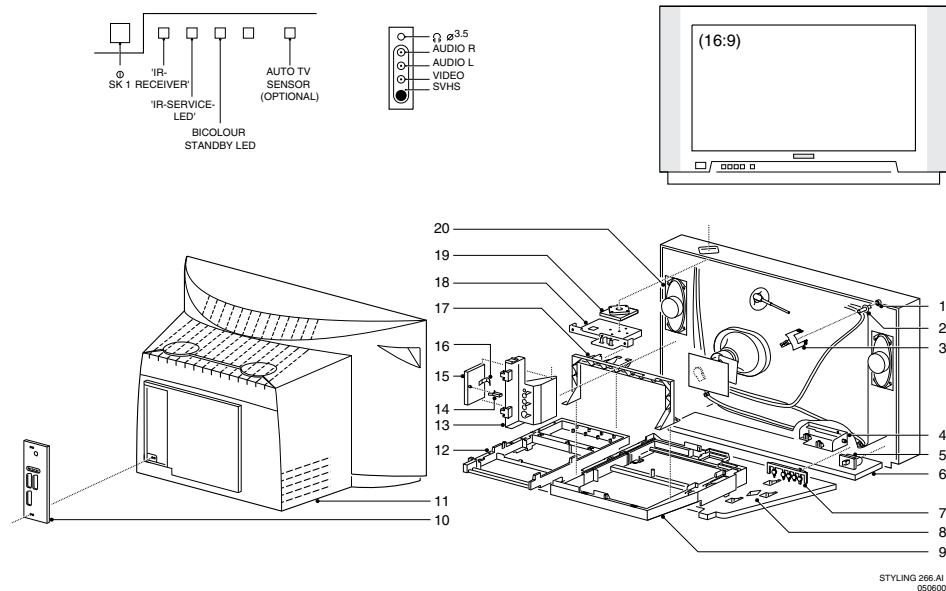


Styling 265.AJ
120700

1a*	3139 137 58281	Cabinet (HP+2AV)
1b*	3139 137 62831	Cabinet (HP+3AV)
2	4822 502 14508	CRT fixation screw
3	4822 463 11125	Chassis guide (VO)
4	4822 454 13197	Wordmark
5a*	3139 124 30641	Rear cover (4AV)
5b*	3139 124 30631	Rear cover (SVHS+9AV)
6	3139 137 68471	Control knob
7	4822 380 10263	Light guide
8	3139 137 68461	Mains knob
9	4822 466 11453	Mains cord relief
10	Not applicable	
11	4822 404 30901	Degaussing coil bracket
12	4822 157 11444	Degaussing coil
13	4822 240 10394	Loudspeaker 16Ω 4W
	9322 137 70682	Picture tube 20" A48AGY13X95

*a 20PT3722
*b 20PT3822

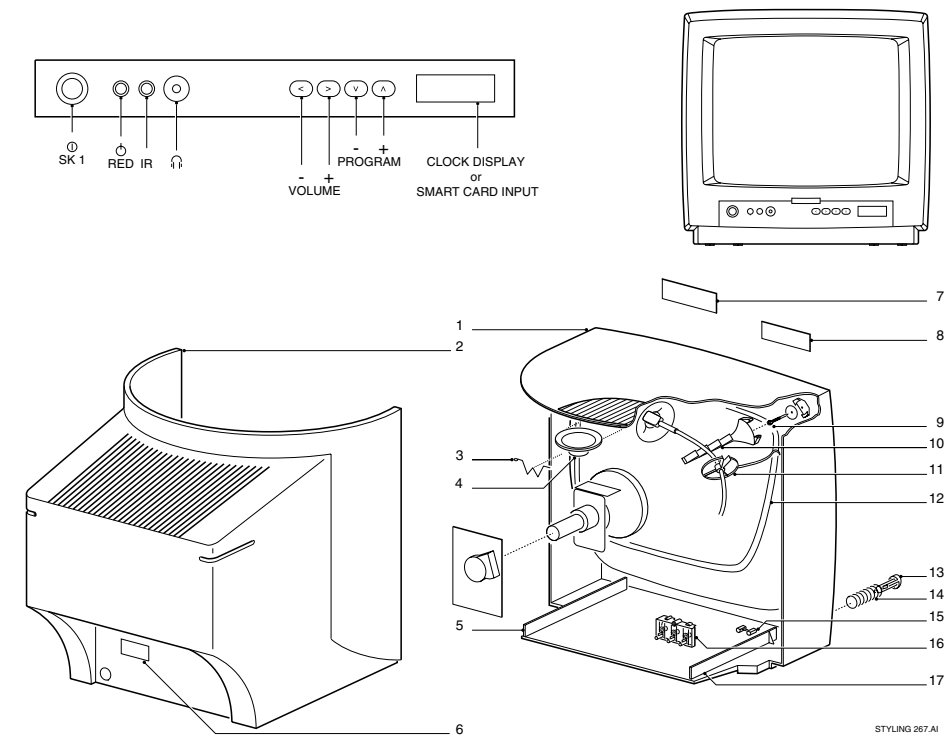
STYLING 266



STYLING 266.AJ
050600

1	3122 124 35682	Washer	16	3104 301 23971	Spring
2	4822 505 11195	Picture tube screw 28"	17	3104 304 20781	LOT support bracket
2	4822 502 21359	Picture tube screw 32"	18	4822 464 10475	Bracket for top control
3	4822 403 70906	Bracket fix degaussing coil 28"	19	3104 304 22202	Keypad
3	4822 404 31289	Bracket fix degaussing coil 32" (2x)	20	2422 264 00386	Loudspeaker
	4822 404 31341	Bracket fix degaussing coil 32" (2x)		3104 304 21922	DAF bracket
4	3104 304 21852	Bracket mains unit		3104 300 12221	Philips emblem 28"
5	3104 307 96231	Mains knob		3104 300 12211	Philips emblem 32"
6	3104 328 08061	Cabinet 28"		4822 321 11499	Mains cord
6	3104 328 08081	Cabinet 32"		2422 070 98132	Mains cord -/79
7	3104 304 21871	Light guide		4822 402 11183	Mains cord holder
8	3104 304 21841	Bottomplate		4822 157 11825	Rotation coil
9	3104 304 21882	Frame for LSP		8204 000 74141	Degaussing coil 28"
10	3104 304 21901	Cover plate		2422 549 44244	Degaussing coil 32"
11	3104 307 96261	Rear cover 28"		9301 828 00306	Picture tube
				W66ERF031X044	
11	3104 307 96241	Rear cover 32"		9301 827 70314	Picture tube
12	3104 304 21891	Frame for SSP		3104 207 09531	Remote control RC2592/01B
13	3104 304 21931	Bracket side IO		3104 304 22762	Mains harmonic cover
14	3104 308 70381	Locking unit		3104 304 22751	Mains harmonic bracket
15	3104 307 96281	Door			

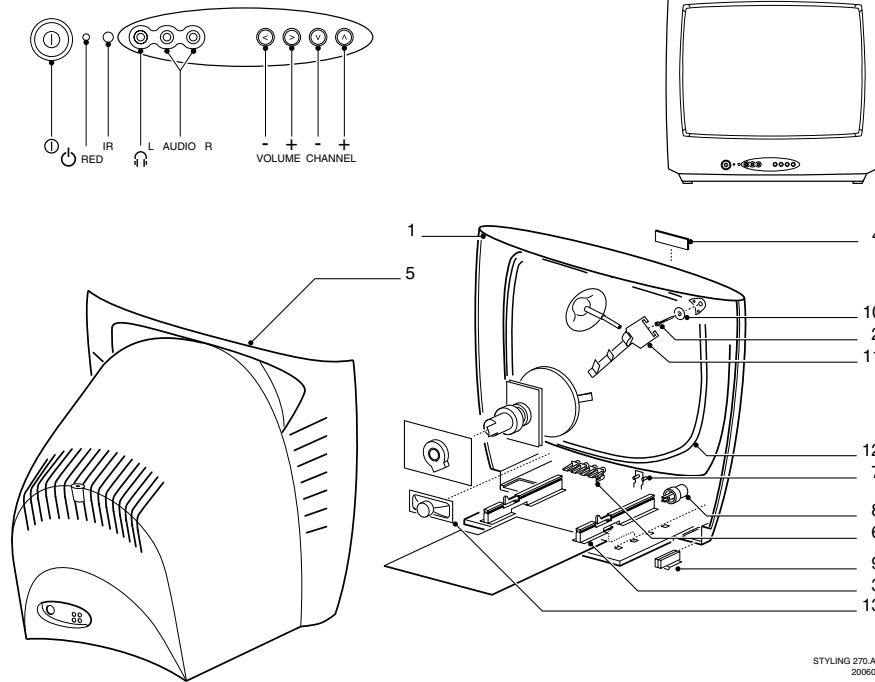
STYLING 267



STYLING 267.AJ
061100

1a*	3119 108 52101	Cabinet (+ items 3,5,6,8,7,13,15)	12	3128 138 60521	Degaussing coil
1b*	3119 108 52091	Cabinet (+ items 3,5,6,8,7,13,15)	13abce*	4822 410 12512	Mains knob
1c*	3119 108 52071	Cabinet (+ items 3,5,6,8,7,13,15)	13d*	3111 254 09911	Mains knob silver
1d*	3119 108 52241	Cabinet (+ items 3,5,6,8,7,13,15)	14	4822 492 32656	Mains knob spring
1e*	3119 108 52131	Cabinet (+ items 3,5,6,8,7,13,15)	15	4822 380 10281	Lens
2ab*	3119 108 52111	Rear cover	16abce*	3139 124 26881	Knob frame
2c*	3119 108 52081	Rear cover	16d*	3111 254 09921	Knob frame silver
2d*	3119 108 52251	Rear cover	17	4822 463 11125	Chassis guide right
2e*	3119 108 52111	Rear cover		4822 321 11499	Mains cord
3	See item 1	Spring		4822 321 11493	Mains cord (-/05/25)
				9301 835 40301	Picture tube 17"
4	2422 257 40013	Loudspeaker 8Ω 8W			A41EAM40X20
5	3139 124 23452	Chassis guide left	*a	17HT3153	
6c*	3139 137 69141	Cap on rear cover for system slot.	*b	17HT3253	
7a*	3119 104 27681	Display lens	*c	17HT5403/..R/..Z	
7cd*	3119 107 05071	Display lens	*d	17HT5403/..S	
			*e	17HT4203/..M	
7e*	3119 107 05091	Display lens			
8	4822 459 11214	Wordmark			
9	3119 100 42091	CRT fixing screw			
10	3139 124 21802	Coil clamp			
11	3139 124 17541	Spacer.			

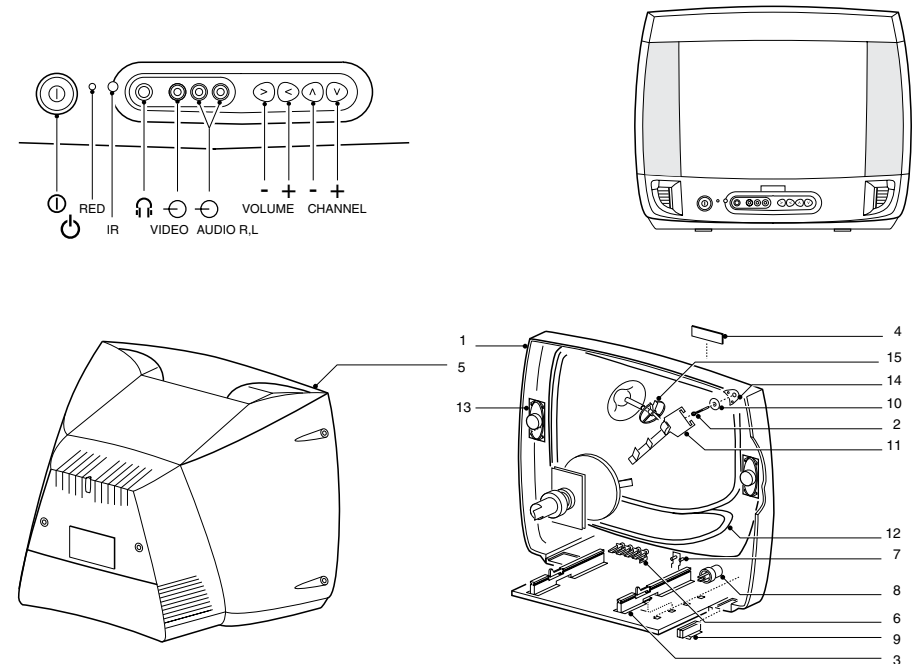
STYLING 270



STYLING 270.AJ
200600

1	3139 137 58001	Cabinet
2	4822 502 14508	CRT fixation screw
3	4822 463 11126	Chassis guide (HB)
3	4822 463 11125	Chassis guide (VO)
4	4822 454 13196	Wordmark
5	3139 124 29741	Rear cover
6	3139 137 68261	Control knob
7	3139 124 26252	Light guide
8	3139 137 68251	Mains knob
9	3139 124 23843	Mains cord relief
10	4822 532 12743	EHT spacer
11	4822 404 31025	Degaussing coil bracket
12	4822 157 11164	Degaussing coil
13	4822 240 10394	Loudspeaker 16Ω 4W
	9322 137 68682	Picture tube 14" A34AGT13X95

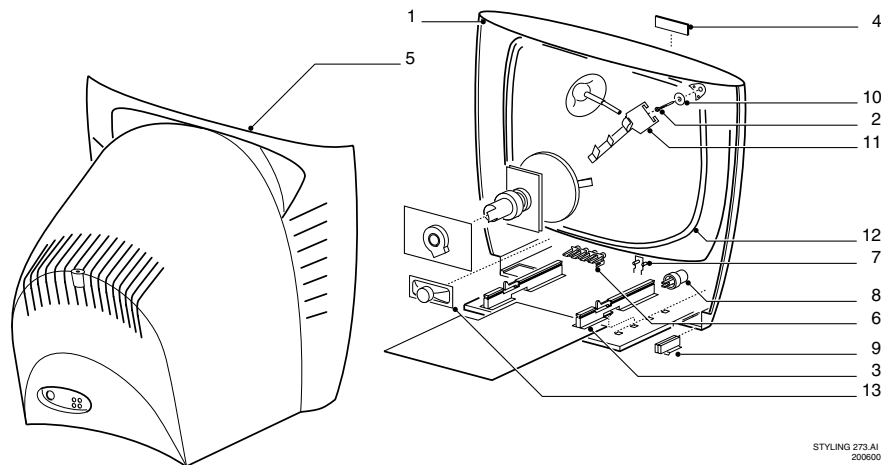
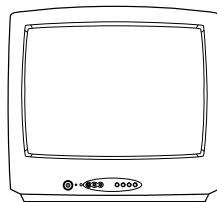
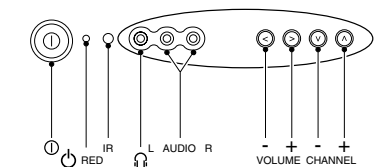
STYLING 271



STYLING 271.AJ
150600

1a*	3139 137 55571	Cabinet (HP+2AV)
1b*	3139 137 56601	Cabinet (HP+3AV)
2	4822 502 14508	CRT fixation screw
3	4822 463 11125	Chassis guide (VO)
4	4822 454 13196	Wordmark
5a*	3139 124 29731	Rear cover (4AV)
5b*	3139 124 29301	Rear cover (9AV+SVHS)
6	3139 137 68131	Control knob
7	3139 124 27781	Light guide
8	3139 137 68121	Mains knob
9	4822 466 11453	Mains cord relief
10	3139 124 28491	EHT spacer
11	4822 404 31025	Degaussing coil bracket
12	4822 157 11164	Degaussing coil
13a*	2422 264 00331	Loudspeaker 8Ω 5W
13b*	2422 264 00329	Loudspeaker 16Ω 4W 9322 137 68682 Picture tube A34AGT13X95
*a	14PT37XX	
*b	14PT38XX	

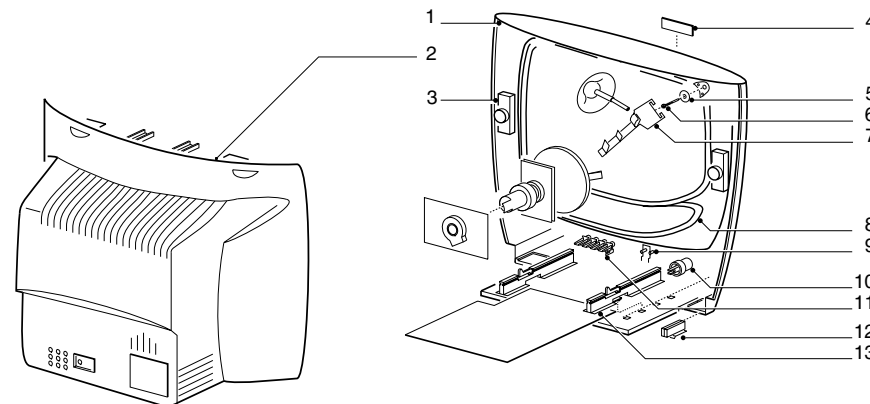
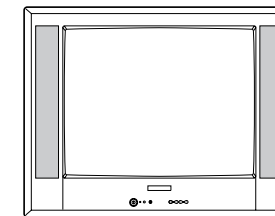
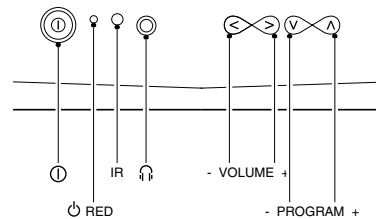
STYLING 273



STYLING 273.AI
200600

1	3139 137 57351	Cabinet
2	4822 502 14508	CRT fixation screw
3	4822 463 11126	Chassis guide (HB)
3	4822 463 11125	Chassis guide (VO)
4	3139 120 01281	Wordmark
5	3139 124 29911	Rear cover
6	3139 137 68261	Control knob
7	3139 124 26193	Light guide
8	3139 137 68251	Mains knob
9	3139 124 23843	Mains cord relief
10	4822 532 12743	EHT spacer
11	3139 124 20114	Degaussing coil bracket
12	3139 128 23201	Degaussing coil
13	4822 240 10263	Loudspeaker 8Ω 5W
	9322 137 70682	Picture tube 20" A48AGY13X95

STYLING 275

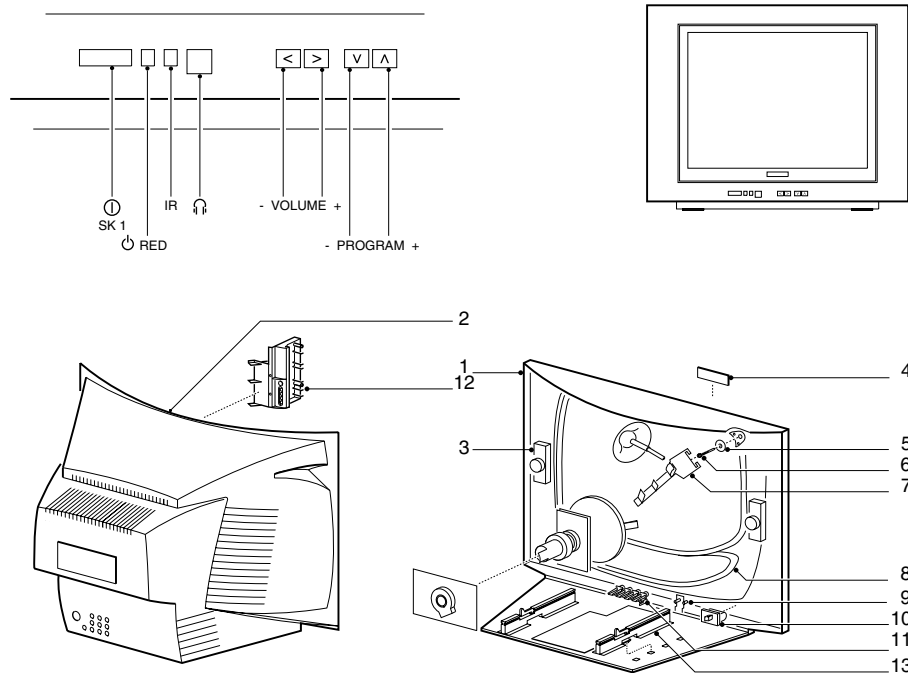


Styling 275.AI
150600

1a*	3139 137 81061	Cabinet
1b*	3139 137 67361	Cabinet
2a*	3139 124 33331	Rear cover
2b*	3139 137 69251	Rear cover
3	4822 240 10368	Loudspeaker 16Ω 5W
4	4822 454 13197	Wordmark
5	4822 532 12744	EHT spacer 3.3mm
5	4822 532 12828	EHT spacer 2.5mm
6	4822 502 14508	Picture tube fixation screw
7efgh*	4822 404 30901	Degaussing coil bracket
7cd*	4822 404 31434	Degaussing coil bracket
8	4822 157 11444	Degaussing coil (multi volt)
8d*	4822 157 11446	Degaussing coil (single volt)
9	4822 380 10281	Light guide
10a*	3139 137 81141	Mains knob
10b*	3139 137 67731	Mains knob
11a*	3139 137 81131	Control knob
11b*	3139 124 26881	Control knob
12	4822 466 11453	Mains cord relief
13	4822 463 11125	Chassis guide (VO)
14	4822 463 11126	Chassis guide (HB)
15a*	3139 124 33751	Side AV bracket
15b*	4822 402 11366	Side AV bracket

cd*	9301 843 10329	Picture tube 21" A51EHW135X47
e*	9322 152 60682	Picture tube 21" A51KXR95X01
f*	4822 131 11104	Picture tube 21" A51KPX10X
f*	4822 150 10334	Deflection unit
f*	4822 526 10663	Multi pole unit
g*	4822 131 20581	Picture tube 21" A51KXR95X
g*	4822 532 70308	Multi pole unit
g*	4822 157 70708	Deflection unit
h*	9322 134 99682	Picture tube 21" A51JSW91X39
*a	21PT37XX	
*b	21PT38XX	
*c	/59A,B,C, 56T, /57T	
*d	/75R, /79T	
*e	/71R, /69R,T	
*f	/67R	
*g	/68R	
*h	/74R	

STYLING 276



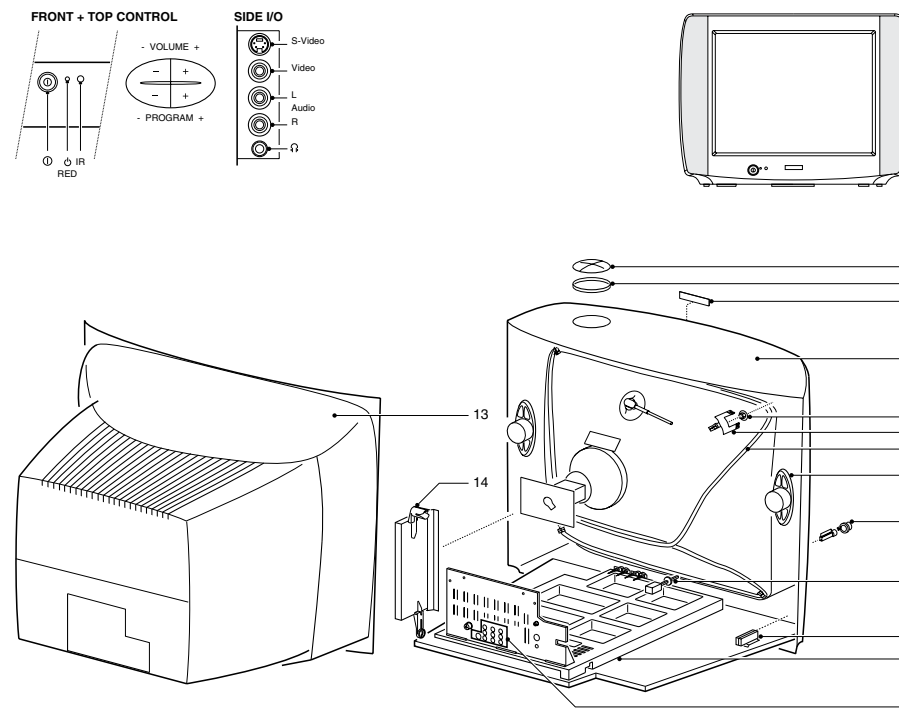
Styling 276.AI
150600

1	3139 137 70861	Cabinet
1a*	3139 137 78181	Cabinet
2	3139 124 32261	Rear cover (9AV+SVHS)
2b*	3139 124 35461	Rear cover (9AV+SVHS+SPLS)
3	2422 264 00403	Loudspeaker 8Ω 10W
4	3141 050 00081	Wordmark
5	3139 124 23861	EHT spacer
6	4822 505 11195	CRT fixation screw
7	4822 492 71627	Degaussing coil bracket
8	4822 157 11444	Degaussing coil
9	3139 124 32221	Light guide
10	3139 137 76521	Mains knob
11	3139 137 76531	Control knob
12	3139 124 32391	Side AV bracket
13	3139 124 30811	Chassis guide (VO)
14	3139 124 33341	VO plate
	9322 153 82682	Picture tube 21" A51LSK955X01

*a 21PT3932/67R,71R,74R

*b 21HT3942/69R, 21HT3942/69R

STYLING 277



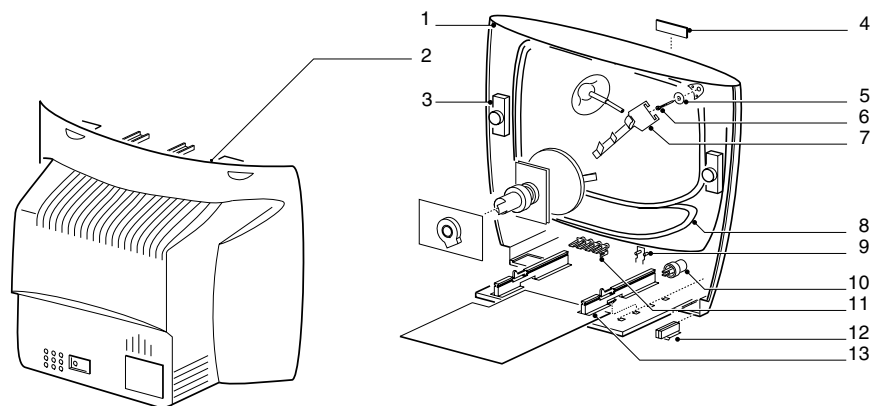
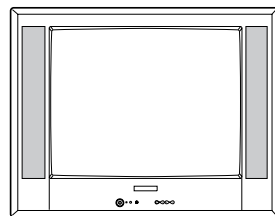
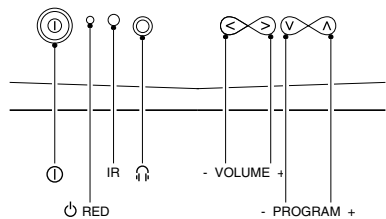
STYLING 277.AI
150600

1	4822 442 01679	Top control cover
2	3139 124 22801	Top control bracket
3	3141 050 00121	Wordmark
4	3139 137 75981	Cabinet
5	4822 500 30034	CRT fixation screw
6	4822 404 31434	Degaussing coil bracket
7	4822 157 11819	Degaussing coil
8	4422 264 00342	Loudspeaker 8Ω 6W
9	3139 137 75431	Mains knob
10a*	4822 401 11764	Mains cord relief
10b*	4822 401 11764	Mains cord relief
11	4822 380 10249	Light guide
12	3139 124 33531	Chassis tray
13	4822 426 10764	Rear cover
14	3139 124 33721	Side AV bracket
15	3139 124 33501	Rear jack bracket
	9301 795 00489	Picture tube 34" A80ECK272X56

*a 34PT4873/69R, /56A, 34PT4822/71R

*b 34PT4873/79R, /57R

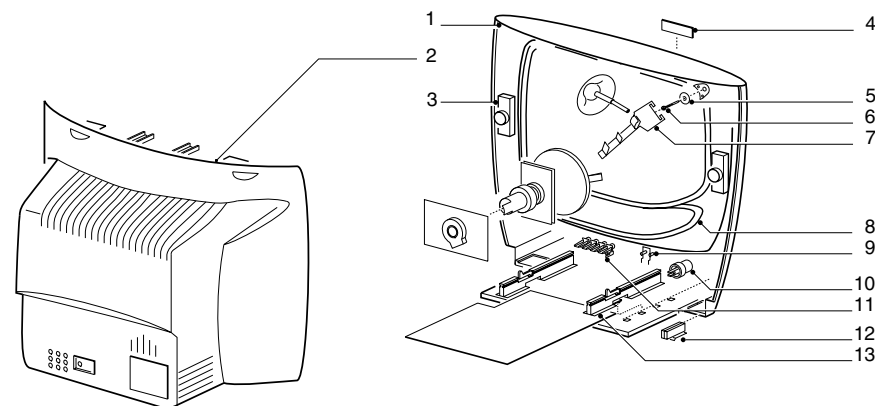
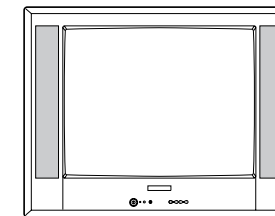
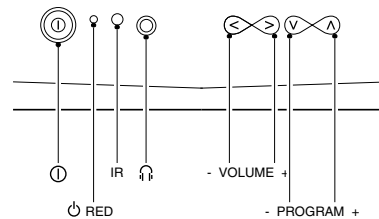
STYLING 278



Styling 278.AI
091100

1	3139 137 74231	Cabinet
2	3139 124 35231	Rear cover
3	4822 240 10393	Loudspeaker 8Ω 6W
4	3141 050 00091	Wordmark
5	3139 124 23861	EHT spacer (1.5mm)
5	4822 532 12743	EHT spacer (2.0mm)
6	4822 502 14361	CRT fixing screw
7	4822 404 31434	Degaussing coil bracket
8	4822 157 11537	Degaussing coil (multi volt)
8a*	4822 157 11536	Degaussing coil (single volt)
9	4822 380 10251	Light guide
10	3139 137 80881	Mains knob
11	3139 137 80911	Control knob
12	4822 404 31363	Mains cord relief
13	4822 463 11226	Chassis guide (VO)
13	4822 463 11225	Chassis guide (HB)
	4822 131 11366	Picture tube 25" A59EEJ71X11
b*	4822 131 11368	Picture tube 25" A59EEJ71X
b*	4822 157 11898	Deflection coil
*a	25PT4342/75R, 25PT4642/79R	
*b	25PT4342/67R, 25PT4642/67R	

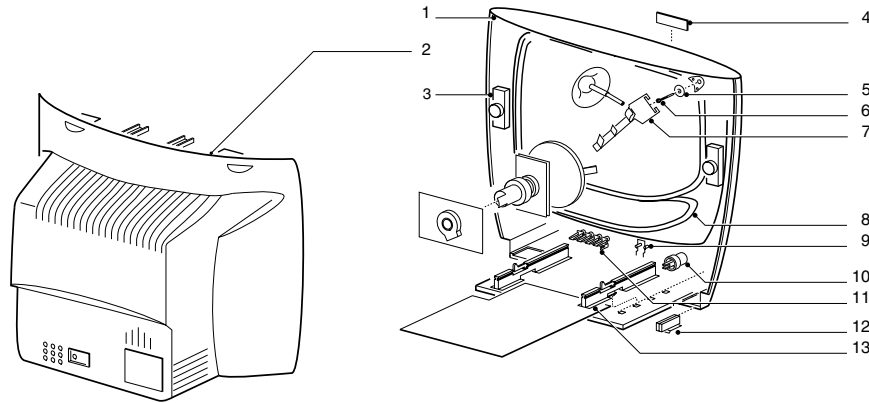
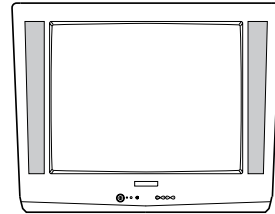
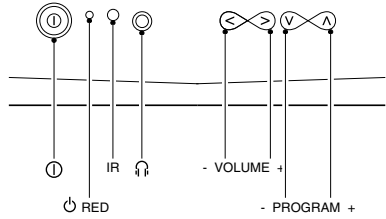
STYLING 279



Styling 279.AI
150600

1	3139 137 77671	Cabinet
2	3141 054 21611	Rear cover
3	4822 240 10393	Loudspeaker 8Ω 6W
4	3141 050 00071	Wordmark
5	4822 532 12743	EHT spacer
6	4822 500 30034	CRT fixation screw
7	4822 492 71627	Degaussing coil bracket
8	4822 157 11549	Degaussing coil 29" (multi volt)
8a*	4822 157 11551	Degaussing coil 29" (single volt)
9	4822 380 10251	Light guide
10	3139 137 80881	Mains knob
11	3141 057 63091	Control knob
12	4822 404 31363	Mains cord relief
13	4822 463 11226	Chassis guide (VO)
13	4822 463 11225	Chassis guide (HB)
	9301 811 40314	Picture tube 29" A68ESF004X111
*a	29PT4973/79R	

STYLING 280

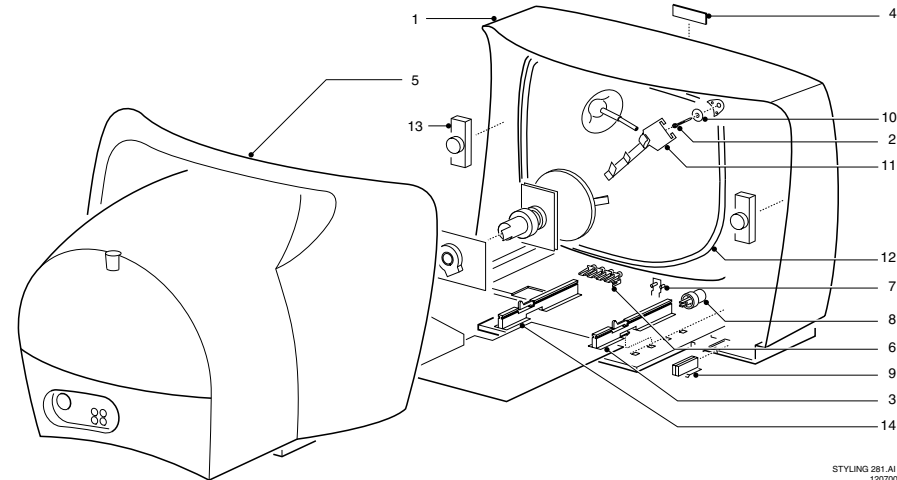
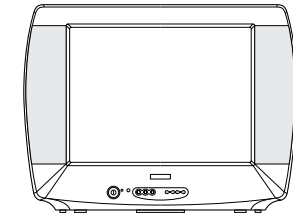
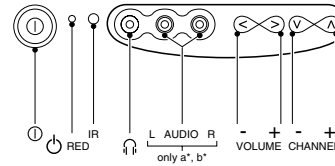


Styling 280.A1
150600

1	4822 449 80347	Cabinet
2	3139 124 31241	Rear cover
3	4822 240 10393	Loudspeaker 8Ω 6W
4	3139 120 01311	Wordmark
4a*	3139 120 01361	Wordmark
5	Not applicable	
6	4822 500 30034	CRT fixation screw
7	4822 492 71627	Degaussing coil bracket
8	4822 157 11549	Degaussing coil (multi volt)
9	4822 380 10251	Light guide
10	3139 137 67141	Mains knob
11	3139 137 67151	Control knob
12	4822 404 31363	Mains cord relief
13	4822 463 11225	Chassis guide (HB)
13	4822 463 11226	Chassis guide (VO)
	4822 131 20628	Picture tube 29" A68AJB82X01
	4822 532 61201	EHT spacer
	3139 128 75211	Mains cord

*a 29PT4873/57R, 68R

STYLING 281

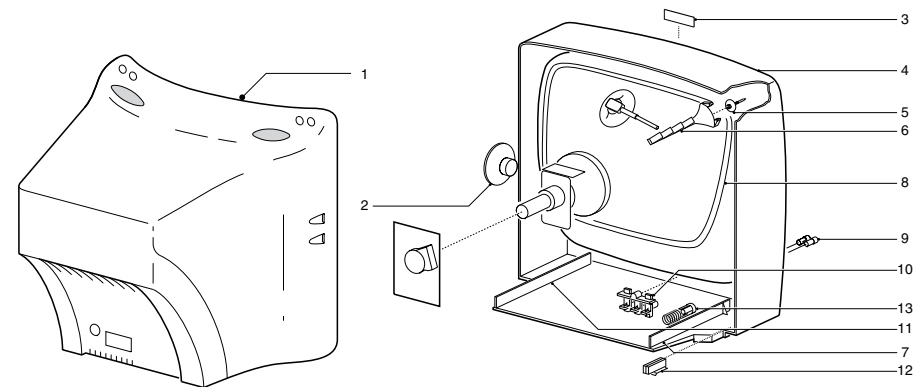
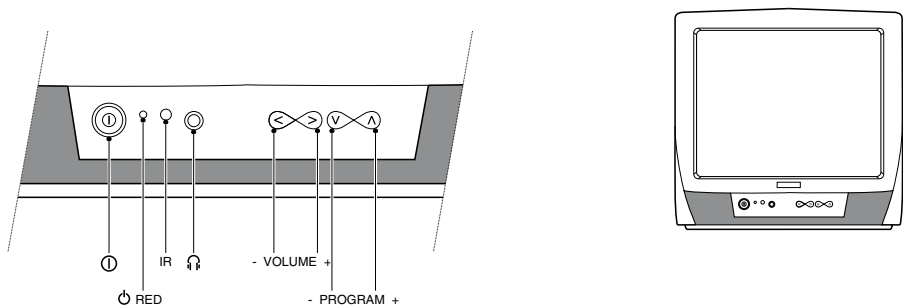


STYLING 281.A1
120790

1	3139 137 66221	Cabinet
2	4822 502 14508	CRT fixation screw
3	4822 463 11125	Chassis guide (VO)
4	4822 454 13197	Wordmark
5	3139 124 30932	Rear cover
6	3139 137 68341	Control knob
7	4822 380 10207	Light guide
8	3139 137 68331	Mains knob
9	4822 466 11453	Mains cord relief
10	4822 532 12744	EHT spacer (3.3mm)
11	4822 404 30901	Degaussing coil bracket
12b*	4822 157 11444	Degaussing coil (multi volt)
12a*	4822 157 11446	Degaussing coil (single volt)
13	482224010368	Loudspeaker 16Ω 5W
14	Not applicable	
	9322 152 60682	Picture tube 21" A51KXR95X01
	b*	4822 131 11104
	b*	4822 526 10663
	b*	4822 150 10334

*a 21PT3722/75R
*b 21PT3782/67R

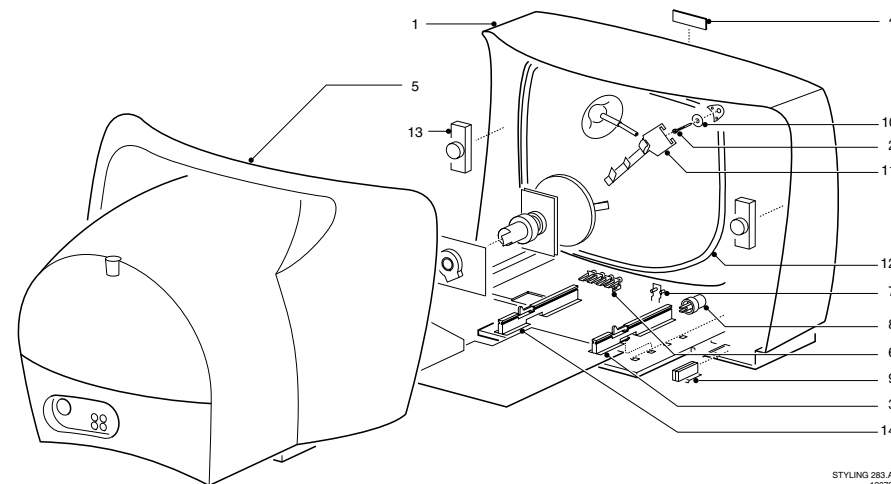
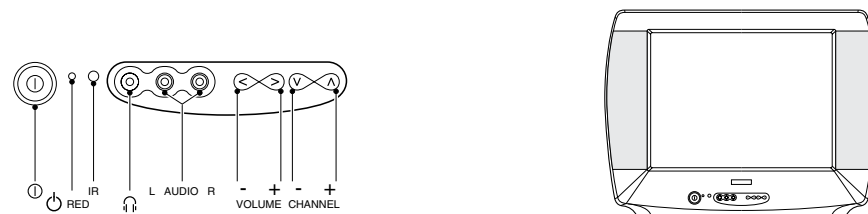
STYLING 282



STYLING 282.AI
060700

1	3139 124 28851	Rear cover	12	3139 124 23843	Mains cord relief
1a*	3139 124 34011	Rear cover	13	3139 137 69691	Mains knob
1b*	3139 124 32001	Rear cover		9301 843 10329	Picture tube 21" A51EHW135X47
2	2422 264 00333	Loudspeaker 16Ω 5W	d*	9322 152 60682	Picture tube 21" A51KXR95X01
3	3139 120 01281	Wordmark	e*	9322 076 23682	Picture tube 21" A51KPX10X
4	3139 137 57301	Cabinet	e*	2422 549 42634	Multipole unit
4def*	3139 137 58671	Cabinet	e*	2422 549 42032	Deflection coil
5	3139 120 41141	CRT fixing screw	f*	9322 076 37682	Picture tube 21" CRT A51KXR95X
5	3139 121 08831	Washer	f*	2422 549 42609	Multipole unit
5	3139 121 08121	Washer	f*	2422 549 42053	Deflection coil
5	3139 124 23891	Tube spacer (3,9 mm)	*a	21HT1582/61R	
5	3139 124 23891	Tube spacer (4,5 mm)	*b	21HT1582/75R	
6	3139 124 21802	Degaussing coil bracket	c*	21HT1582/75T, 75Z	
6def*	3139 124 20114	Degaussing coil bracket	*d	21HT1582/68Z, 71R	
7	3139 124 24783	Chassis guide (VO)	*e	21HT1582/67R, 67Z	
8	3139 128 23201	Degaussing coil (multi voltage)	*f	21HT1582/59C	
8bc*	3139 128 23191	Degaussing coil (single voltage)			
9	3139 137 69701	Control knob			
10	3139 124 25852	Light guide			
11	3139 124 24752	Chassis guide (HB)			

STYLING 283

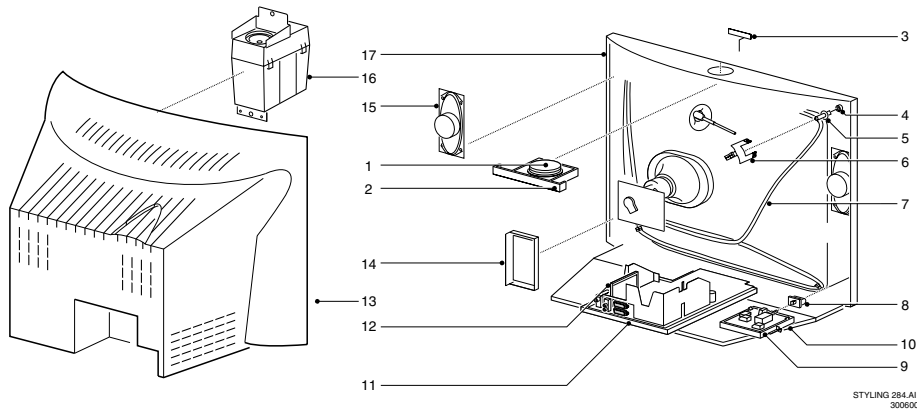
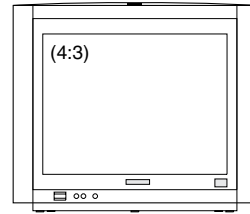
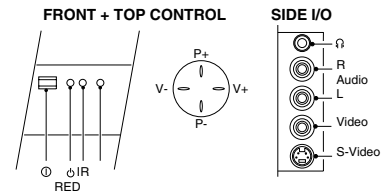


STYLING 283.AI
120700

1	3139 137 71691	Cabinet
2	4822 502 14508	CRT fixation screw
3	4822 463 11125	Chassis guide (VO)
4	4822 454 13196	Wordmark
5	3139 124 32971	Back cover
6	4822 410 11669	Control knob
7	4822 380 10207	Light guide
8	4822 410 10932	Mains knob
9	4822 466 11453	Mains cord relief
10	3139 124 23861	EHT spacer
11	4822 404 31025	Degaussing coil bracket
12	4822 157 11164	Degaussing coil
13	4822 240 10394	Loudspeaker 16Ω 4W
14	Not applicable	
	9322 137 68682	Picture tube 14" A34AGT13X95

14PT3723/59E

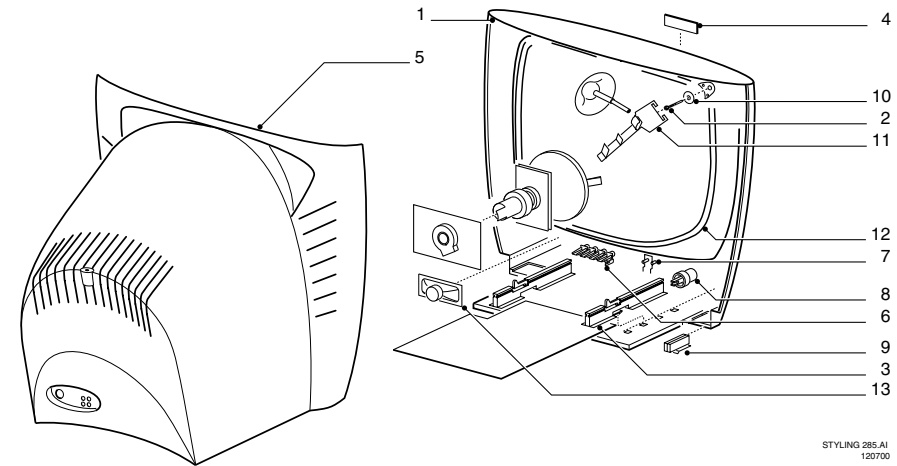
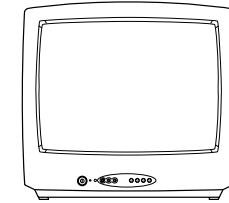
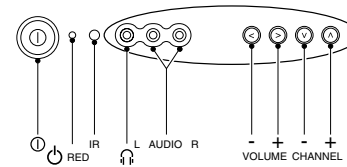
STYLING 284



STYLING 284.AI
300600

1/2	3139 178 82271	Top control assy
3	3111 250 00571	Wordmark 29
4	Not applicable	
5	4822 505 11195	CRT screw
6	3139 124 31121	Bracket fix degaussing coil
7	2422 549 44579	Degaussing coil
8	3139 137 72011	Mains knob assy
9	3139 124 32521	Bracket for Front control panel
10	Not applicable	
11	3139 124 32541	Bracket for LSP
12	3139 124 33361	Supporting bracket for SSB
13	3139 124 32061	Rear cover
14	3139 124 31651	Bracket for Side I/O panel
15	2422 264 00379	Loudspeaker
16	3139 128 75931	Subwoofer assy
17	3139 137 74631	Cabinet painted
	3139 124 33811	Light guide
a	29PT5515	

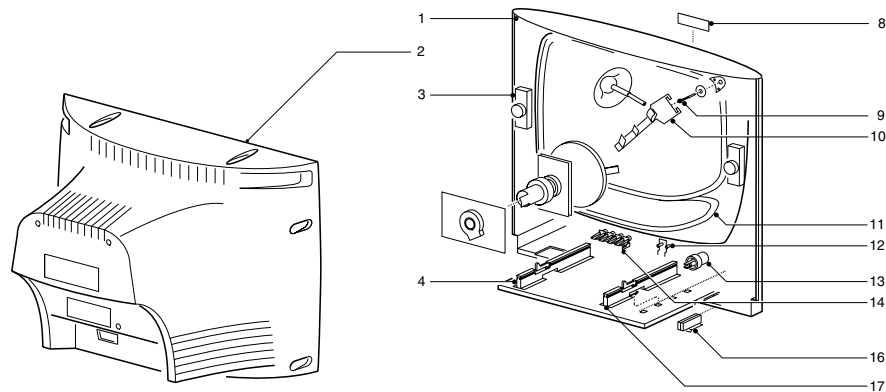
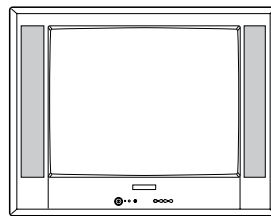
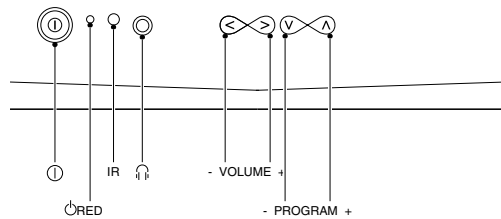
STYLING 285



STYLING 285.AI
120700

1a*	3139 137 57571	Cabinet	11	3111 254 23481	Coil & THT clamp
1b*	3139 137 61071	Cabinet	12	4822 157 11532	Degaussing coil
1cdef*	3139 137 61191	Cabinet	13	4822 240 10394	Loudspeaker
2	4822 502 14071	CRT fixation screw		4822 131 11314	Picture tube 20"
3	4822 463 11125	Chassis guide (VO)			A48ECR141X18
3	4822 463 11126	Chassis guide (HB)	bcdef*	4822 303 14049	Aerial telescopic
4	3111 250 00051	Wordmark	d*	4822 321 11493	Mains cord UK
5b*	3139 137 56041	Rear cover	e*	4622 009 50491	Mains cord UK
5ae*	3139 137 62311	Rear cover	abc*f	4822 321 11499	Mains cord
5dfc	3139 137 62321	Rear cover			
6	4822 410 12149	Control knob	*a	20PT1354/58, 20PT1554/58	
7	3139 124 26193	Light guide	*b	51TA1254/19	
8	3139 124 26172	Mains knob	*c	51TA1274/05	
9abcd*f	4822 466 11453	Mains cord relief	*d	51TA1474/03	
11	3139 124 21802	Coil clamp	*e	51TA1474/05	
			*f	51TA1474/11, /16, /18	

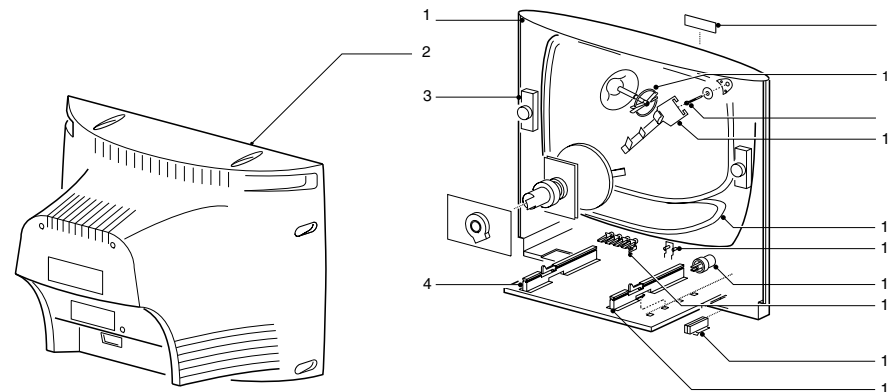
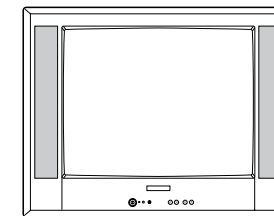
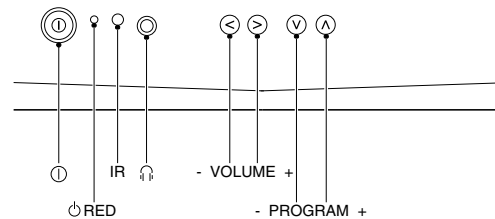
STYLING 286



Styling 286.AI
070700

1b*	3139 137 57631	Cabinet
1a*	3139 137 54541	Cabinet
2	4822 250 40041	CRT fixation screw
3	3139 124 23452	Chassis guide
4a*	4822 454 13197	Wordmark
4b*	3111 250 00051	Wordmark
5a*	3139 137 64231	Rear cover
5b*	3139 137 64221	Rear cover
6a*	3139 124 26941	Control knob
6b*	4822 410 12529	Control knob
7	3139 124 26901	Light guide
8	3139 124 26891	Mains knob
9	3139 124 23843	Mains cord relief
10	Not applicable	
11	4822 404 31434	Degaussing coil bracket
12	3128 138 60531	Degaussing coil
13	4822 240 10368	Loudspeaker
	9322 145 31682	Picture tube 21"
		A51EER133X72
	9301 738 50342	Picture tube 21"
		A51EAL155X47
	4822 321 11499	Mains cord
*a	52TA4415/11, /18	
*b	52TB4395/19	

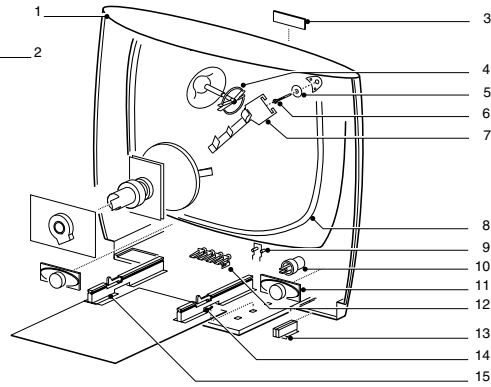
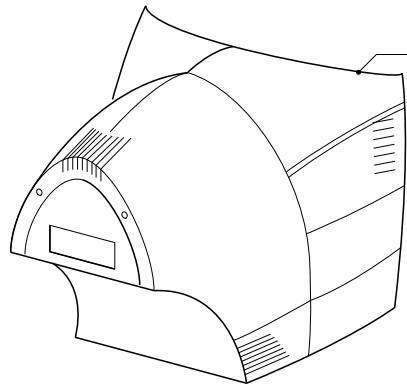
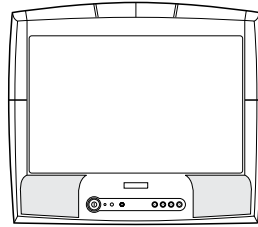
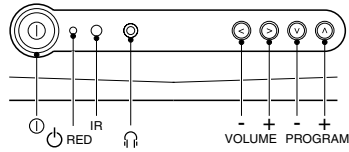
STYLING 287



STYLING 287.AI
040700

1	3139 137 57601	Cabinet	4822 131 11105	Picture tube 21"
1ce*	4822 449 80346	Cabinet		A51EAL155X47
2	4822 426 10917	Rear cover (SAV+2S)	dfgh*	9322 145 31682
2a*	3139 137 81311	Rear cover (1S)		Picture tube 21"
2k*	3139 137 64231	Rear cover (NAV+2S)		A51EER133X72
			4822 321 11499	Mains cord
			4822 321 11493	Mains cord UK
3	4822 240 10368	Loudspeaker 16Ω 5W		
4	4822 463 11126	Chassis guide (HB)	*a	21PT1865/58
8	3111 250 00051	Wordmark	*b	21PT4255/00
8ce*	4822 454 13197	Wordmark	*c	21PT4455/00, 21PT4475/01, /58
9	4822 502 14071	CRT fixation screw	*d	21PT4455/20
10abjk*	4822 401 11765	Coil clamp	*e	21PT4475/05
10cdefgh*	4822 404 31434	Coil clamp	*f	21PT4475/21
10abjk*	4822 404 30945	Degaussing coil bracket	*g	21PT4475/25
			*h	21PT4475/48
			*j	21PT4655/00
11	4822 157 11532	Degaussing coil	*k	52TA4415/03
12	4822 380 10281	Light guide		
13	4822 410 12512	Mains knob		
14	4822 410 12513	Control knob		
14abjk*	3139 124 26941	Control knob		
16	4822 466 11453	Mains cord relief		
17	4822 463 11125	Chassis guide (VO)		
18dfgh*	4822 532 61201	EHT spacer		

STYLING 288

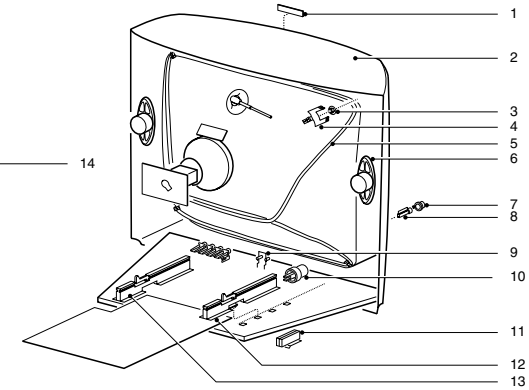
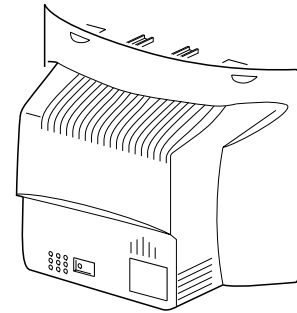
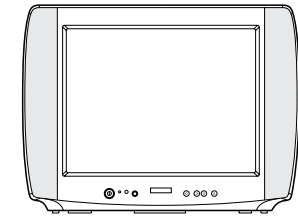
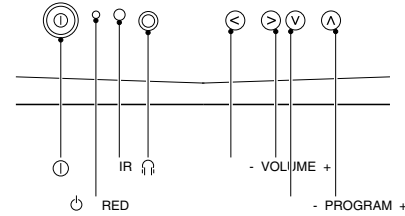


STYLING 288.AI
200600

1e*	3139 137 60341	Cabinet (HP)
1hj*	3139 137 60521	Cabinet (NHP)
1abc*	3139 137 56261	Cabinet (HP+2AV)
1dfg*	3139 137 77661	Cabinet (HP+2AV)
2abc*	3139 137 62291	Rear cover
2def*	3139 137 62341	Rear cover
2hj*	3139 137 56271	Rear cover
3	3111 250 00051	Wordmark
4bcefg*	4822 532 61201	EHT spacer
6	4822 502 14071	CRT fixing screw
7bcefg*	4822 404 31434	Coil clamp
7adh*	4822 401 11765	Coil clamp
7adh*	4822 404 30945	Degaussing coil bracket
8	4822 157 11532	Degaussing coil 21"
9	3139 124 28081	Light guide
10	3139 124 29381	Mains knob
11	4822 240 10368	Loudspeaker 16Ω 5W
12	3139 124 28071	Control knob
12h*	3139 124 30081	Control knob
12j*	3139 12430461	Control knob

13	4822 466 11453	Mains cord relief
14	4822 463 11126	Chassis guide (HB)
15	4822 463 11125	Chassis guide (VO)
bfg*	9322 145 31682	Picture tube 21" A51EAL155X47 Picture tube 21" A51EER133X72
	4822 321 11493	Mains cord UK
	4822 321 11499	Mains cord
*a	21pt1354/00, /01, 21PT1654/00, /01, /05	
*b	21PT1354/48, 21PT1654/48	
*c	21PT1354/58, 21PT1654/58	
*d	52TA1474/03, /16	
*e	52TA1474/11, /18	
*f	52TA1474/23, /36	
*g	52TA1474/31	
*h	52TA1464/18	
*j	52TB1454/19	

STYLING 289

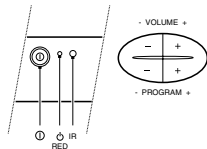


STYLING 289.AI
040700

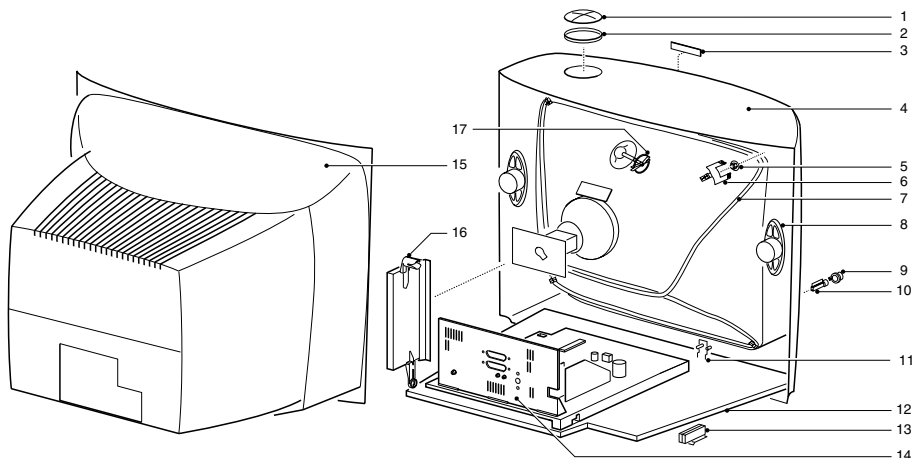
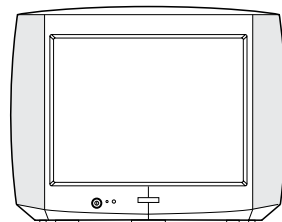
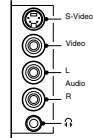
1	3139 120 01311	Wordmark
2	3139 137 53750	Cabinet
3	3139 121 08121	Washer
3	3139 121 08831	Washer
3	4822 402 10124	Tube spacer
3	4822 502 14361	CRT fixing screw
4	3139 124 21802	Degaussing coil bracket
5	3139 128 23371	Degaussing coil
6	4822 240 10393	Loudspeaker 8Ω 6W
7	3139 137 67131	Control knob
8	Not applicable	
9	3139 124 14921	Light guide
10	3139 137 54071	Mains knob
11	3122 224 04623	Mains cord relief
12	3139 124 25893	Chassis guide (VO)
13	3139 124 25884	Chassis guide (HB)
14	4822 426 10911	Rear cover (9AV+SVHS)
	9301 791 90365	Picture tube 25"A59EEJ71X11

STYLING 290

FRONT + TOP CONTROL



SIDE I/O

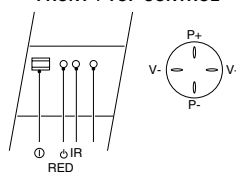


STYLING 290.AI
040700

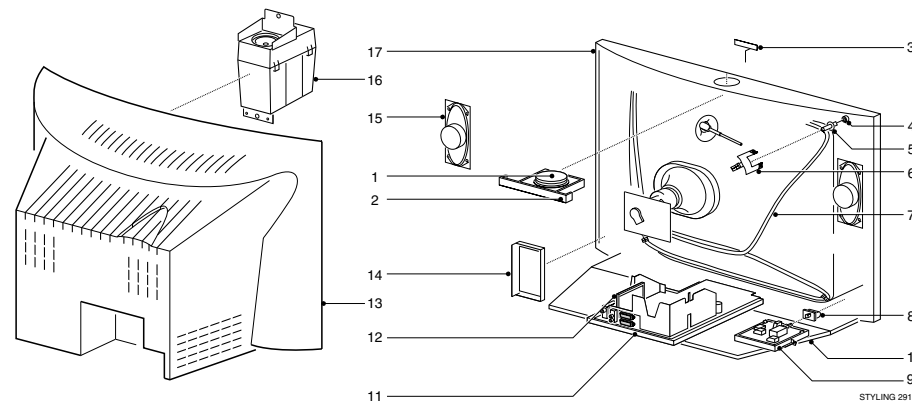
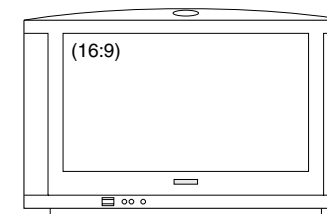
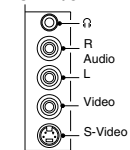
1	4822 442 01679	Top control cover	14	3139 124 33511	Rear jack bracket
2	3139 124 26992	Top control bracket	15bcd*	3139 137 76861	Rear cover NB
3b*	3122 220 00501	Wordmark ARISTONA	15a*	3139 137 75801	Rear cover PHILIPS
3d*	3122 220 00232	Wordmark RADIOLA	16	3139 124 33221	Side AV bracket
3c*	3122 220 00623	Wordmark SBR	17	4822 532 61201	EHT spacer
3a*	3111 250 00611	Wordmark PHILIPS	4822 131 11298	Picture tube 29"	
4d*	3139 137 77001	Cabinet RADIOLA	A68ESF002X111	A68ESF002X111	
4c*	3139 137 76991	Cabinet SBR	4822 321 11139	Mains cord	
4b*	3139 137 76881	Cabinet ARISTONA	4822 402 11183	Mains cord holder	
4a*	3139 137 75791	Cabinet			
5	4822 502 14071	CRT fixing screw	*a	29PT5105/00, 29PT5305/00, /01, /58, 72TA5215/00	
6	4822 492 71627	Degaussing coil bracket	*b	72TA5215/03	
7	4822 157 11551	Degaussing coil 29"	*c	72TA5215/11	
8	4822 240 10393	Loudspeaker 8Ω 6W	*d	72TA5215/18	
9bcd*	3139 137 52412	Mains knob grey			
9a*	3139 137 75631	Mains knob silver			
10	Not applicable				
11a*	4822 380 10238	Light guide			
12	3139 124 33541	Chassis tray			
13	4822 401 11764	Mains cord relief			

STYLING 291

FRONT + TOP CONTROL



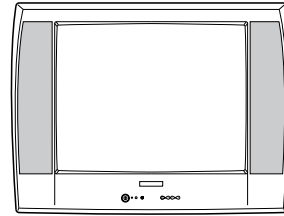
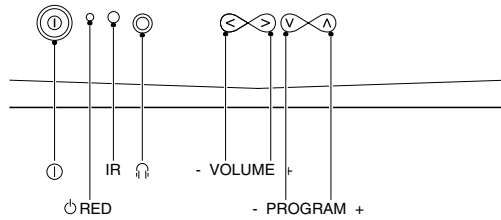
SIDE I/O



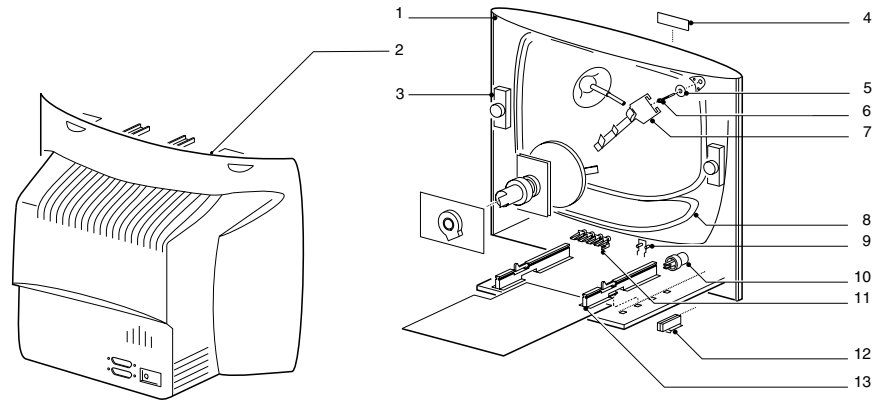
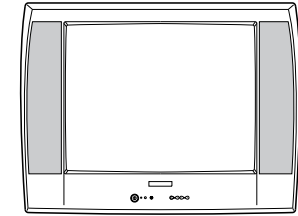
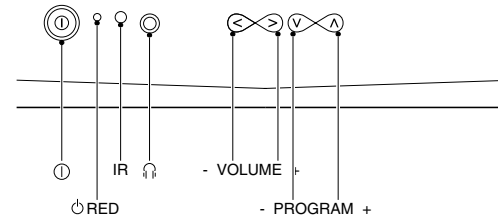
STYLING 291.AI
300600

1/2	3139 178 82271	Top control assy	17a*	3139 137 70011	Cabinet 28"
3ac*	3111 250 00591	Wordmark blue-silver	17c*	3139 137 90781	Cabinet 28"
3b*	3111 250 00601	Wordmark blue-silver	17b*	3111 257 55641	Cabinet 32"
4	Not applicable			4822 321 11139	Mains cord
5	4822 502 14602	CRT fixing screw	a*	9322 148 60682	Picture tube 28" W66EGV023X315
6	4822 403 70906	Corner coil bracket	c*	4822 131 11345	Picture tube 28" W66ECK001X14
7	4822 157 11758	Degaussing coil 28"	b*	4822 131 11215	Picture tube 32" W76ESF031X14
7a*	2422 549 44246	Degaussing coil 28"		3139 124 31631	Light guide
7b*	2422 549 44564	Degaussing coil 32"			
8	3139 124 32511	Mains knob			
9	3139 124 32521	Front interface bracket	*a	28PW6305	
10	Not applicable		*b	32PW6305	
11	3139 124 32541	Bracket for LSP	*c	28PW5406	
12	3139 124 33361	SSB bracket			
13a*	3139 137 69971	Rear cover 28"			
13c*	3139 137 90761	Rear cover 28"			
13b*	3139 137 70071	Rear cover 32"			
14	3139 124 31651	Side I/O bracket			
15	2422 264 00377	Loudspeaker 8Ω 10W			
16	Not applicable				

STYLING 292

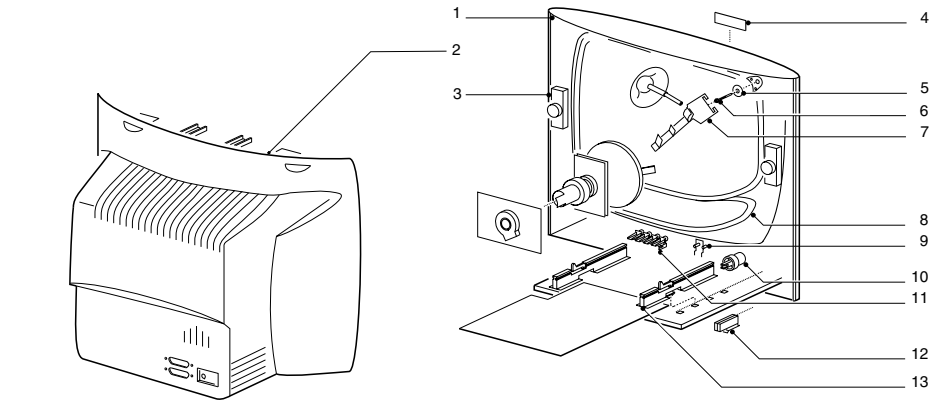


STYLING 293



STYLING 292.AI
040700

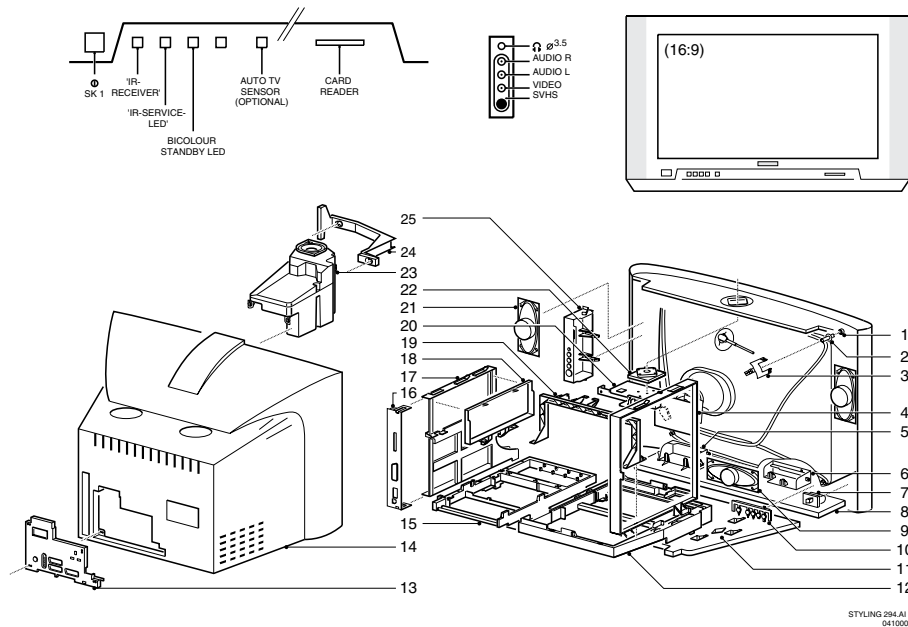
1ac*	3139 137 53121	Cabinet 25"	13	3139 124 30871	Chassis guide right (HB)
1d*	3139 137 53201	Cabinet 25"	13	3139 124 30881	Chassis guide left (VO)
1bef*	3139 137 55211	Cabinet 25"		4822 403 70906	Corner coil bracket
1m*	3139 137 55231	Cabinet 25"		4822 131 11184	Picture tube 25"
1g*	3139 137 65711	Cabinet 25" ARISTONA			A59EAK071X11
			dk*	9322 147 09682	Picture tube 25"
					A59EMZ43X07
1jk*	3139 137 65721	Cabinet 25" RADIOLA			
1h*	3139 137 55251	Cabinet 25" SBR			
2a*	3139 137 65831	Rear Cover 25"		4822 321 11499	Mains cord
2bcehj*	4822 426 10836	Rear Cover 25"		4822 321 11493	Mains cord UK
2dfgk*	3139 137 53151	Rear Cover 25"		4822 402 10844	PCB relief bracket
2m*	3139 137 65851	Rear Cover 25"	*a	25PT4104/58	
3a*	4822 240 10368	Loudspeaker 16Ω 5W	*b	25PT4375/01	
3	4822 240 10263	Loudspeaker 8Ω 6W	*c	25PT4655/00	
4	4822 459 11155	Wordmark PHILIPS	*d	25pt4655/20	
4g*	4822 454 13462	Wordmark ARISTONA	*e	25PT4675/01	
			*f	25PT4675/05	
4m*	4822 454 13463	Wordmark Schneider	*g	63TA4415/03	
4jk*	4822 454 13464	Wordmark Radiola	*h	63TA4415/11	
5+6	4822 505 11195	CRT fixing screw	*j	63TA4415/11	
7	4822 401 11765	Degaussing coil bracket	*k	63TA4415/38	
8	4822 157 11674	Degaussing coil 25"	*m	63TB4395/19	
9	4822 380 10251	Light guide			
10	3139 124 30581	Mains knob			
11acd*	4822 410 12433	Control knob			
11	3139 124 27071	Control knob			
12	4822 404 31363	Mains cord relief			



STYLING 293.AI
040700

1	3139 137 53351	Cabinet 28"	13	3139 124 30871	Chassis guide right (HB)
1af*	3139 137 53131	Cabinet 28"	13	3139 124 30881	Chassis guide left (VO)
1h*	3139 137 55391	Cabinet 28" ARIS		4822 403 70906	Corner coil bracket
1j*	3139 137 55411	Cabinet 28"		9301 711 10314	Picture tube 28"
1k*	3139 137 55431	Cabinet 28" RADIOLA			A66EAK071X11
			ce*	9322 147 08682	Picture tube 28"
					A66ECF50X05
1m*	3139 137 55381	Cabinet 28" SCR			
2	3139 124 27032	Rear Cover 28"			
2abc*	3139 137 65841	Rear Cover 28"		4822 321 11499	Mains cord
2ef*	3139 137 52891	Rear Cover 28"		4822 321 11493	Mains cord UK
2m*	3139 137 55341	Rear Cover 28" NB		4822 402 10844	PCB relief bracket
3	4822 240 10263	Loudspeaker 8Ω 6W	*a	28PT4104/58	
3a*	4822 240 10368	Loudspeaker 16Ω 5W	*b	28PT4404/00	
4	4822 459 11155	Wordmark PHILIPS	*c	28PT4404/20	
4h*	4822 454 13462	Wordmark ARISTONA	*d	28PT4655/00	
4j*	4822 454 13466	Wordmark SBR	*e	28PT4655/20	
			*f	28PT4675/01	
4k*	4822 454 13464	Wordmark Radiola	*g	28PT4675/05	
4m*	4822 454 13463	Wordmark Schneider	*h	70TA4415/03	
5+6	4822 505 11195	CRT fixing screw	*j	70TA4415/11	
7	4822 401 11765	Degaussing coil bracket	*k	70TA4415/18	
8	4822 157 11762	Degaussing coil 28"	*m	70TB4395/19	
9	4822 380 10251	Light guide			
10	3139 124 30581	Mains knob			
11	3139 124 27071	Control knob			
11a*	4822 410 12433	Control knob			
12	4822 404 31363	Mains cord relief			

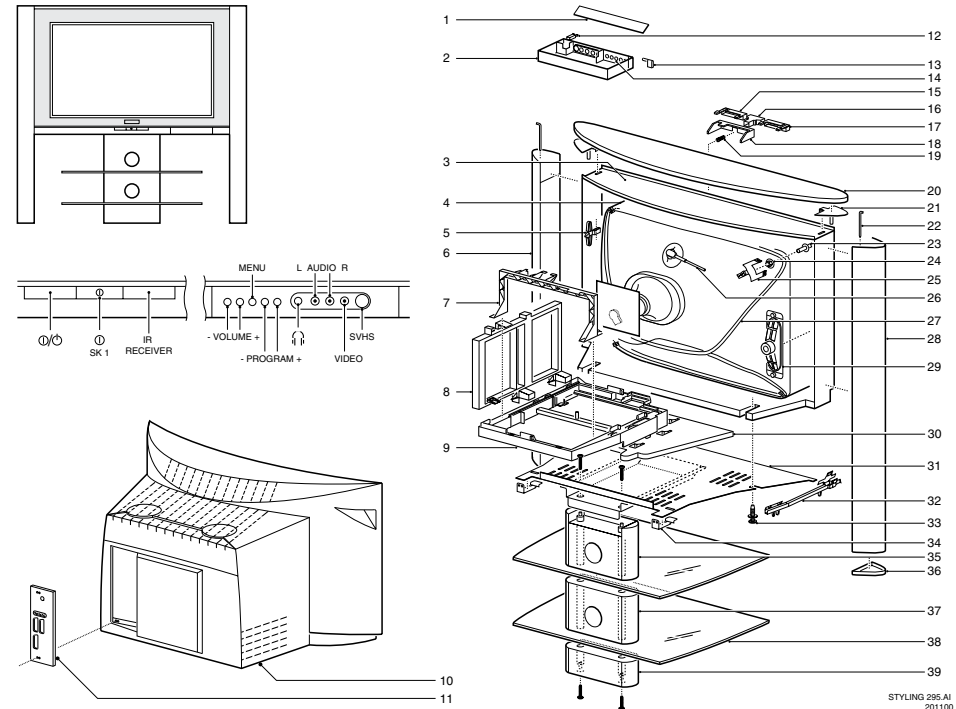
STYLING 294



STYLING 294.AI
041000

1	4822 404 31294	CRT fixation VP19100 32"	22	3104 304 21631	Keypad
2	4822 505 11195	CRT screw 28"	23	3104 130 01601	Subwoofer
2	4822 502 21359	CRT screw 32"	24	3104 304 21361	Bracket fix subwoofer
3	4822 404 31289	Bracket fix degaussing coil (2x) 32"	25	3104 304 20991	Side I/O bracket
	4822 403 70906	Bracket fix degaussing coil (2x)		4822 459 11033	Matchline emblem 28"
4	3104 304 19651	Frame for Top Supply		3104 300 12081	Matchline emblem 32"
5	3104 304 21240	Bracket for card reader		4822 454 13455	Philips emblem 28"
6	4822 402 11176	Bracket for mains unit		4822 454 13399	Philips emblem 32"
7	3104 307 96211	Mains knob		9301 828 00306	Picture tube W66ERF031X044
8	3104 328 11662	Cabinet 28"		9301 828 70301	Picture tube W76ERF031X044
8	3104 328 07982	Cabinet 32"	3128 147 12041		Remote control RC2038/01B
9	2422 257 20547	Loudspeaker 8U 15W	4822 157 11825		Rotation coil
10	3104 304 20801	Light guide	2422 549 44621		Degaussing coil 28"
11	3104 304 19764	Bottom plate	2422 549 44244		Degaussing coil 32"
12	3104 304 19583	Frame for LSP	4822 240 10381		Surround sound loudspeaker box (1x)
13	3104 307 96131	Connector plate 32"		3104 328 11851	Mains cord
14	3104 307 97361	Rear cover 28"			
14	3104 307 96152	Rear cover 32"			
15	3104 304 22851	Frame for SSP			
16	3104 307 96820	Cover plate digital module			
17	3104 304 21200	Frame for digital module			
18	3104 304 21190	Bracket for power supply			
19	3104 304 20263	LOT support bracket			
20	4822 464 10475	Bracket for top control			
21	3104 130 01231	Woofer + Tweeter 8U 15W			

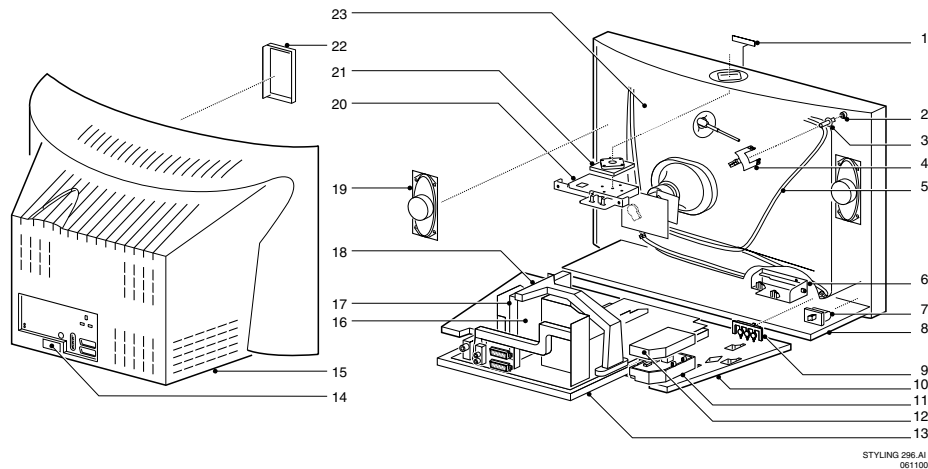
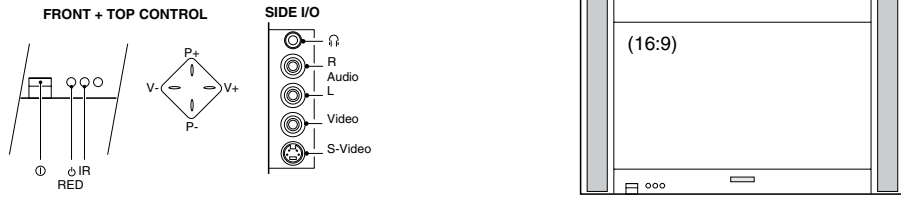
STYLING 295



STYLING 295.AI
201100

1	3104 307 96921	Door	28	3104 307 96941	Aluminium column left
2	3104 304 22621	Bracket front controls	29	2422 264 00386	Loudspeaker
3	3104 307 97791	Cover aluminium column right	30	3104 304 21842	Bottom plate
4	3104 328 09831	Cabinet assy 32PW9556	31	9965 000 07349	Top plate stand
4	3104 328 09841	Cabinet assy 32PW9566	32		
5	9301 827 70301	Picture tube W76ERF031X044	33	3104 308 78041	Screw for stand assy
6	3104 307 96931	Aluminum column right	34	9965 000 07348	Steel clip
7	3104 304 20781	LOT support bracket	35	9965 000 07391	Back column part 1 shelf
8	3104 304 21891	Frame for SSP	35	9965 000 07392	Back column part 2 shelf
9	3104 304 21882	Frame for LSP	36	3104 304 22691	Foot right
10	3104 307 96871	Rear cover 32PW9556	36	3104 304 22701	Foot left
10	3104 307 96881	Rear cover 32PW9566	37	9965 000 07390	Back column part 1 shelf
11	3104 304 22641	Connector plate 32PW9556	37	9965 000 07393	Back column part 2 shelf
11	3104 304 22651	Connector plate 32PW9566	38	9965 000 07389	Glass plate
12	3104 308 70381	Locking unit	39	9965 000 07394	Back column part 2 shelf
13	3104 308 78011	Damped hinge		3104 308 78021	Rear leg stand assy
14	3104 304 22661	Knodframe controls		3104 308 78031	Rear leg stand assy for -/05/19
15	3104 304 22671	Window right		4622 009 50772	Mains cord
16	3104 307 96911	Mains knob		4622 009 50782	Mains cord for -/05
17	3104 304 22681	Window left		3104 300 12171	Wordmark 32PW9556
18	3104 304 22601	Support for mains switch		3104 300 12181	Wordmark 32PW9566
19	Not present			3104 308 77981	Focus cable
20	3104 304 90371	Glass plate 32PW9556		4822 157 11825	Rotation coil
20	3104 304 90381	Glass plate 32PW9566			
21	3104 307 97801	Cover aluminium column left			
22	3104 301 62111	Pin fix aluminium columns			
23	4822 502 21359	CRT screw			
24	4822 404 31294	CRT fixation VP19100		3104 207 09561	Remote control RC2031/01B
25	4822 404 31289	Bracket fix degaussing coil (2x)		3104 300 12121	Matchline emblem
25	4822 403 70906	Bracket fix degaussing coil (2x)		3104 300 12171	Philips emblem 32PW9556
26	4822 320 11108	EHT cable		3104 300 12181	Philips emblem 32PW9566
27	2422 549 44244	Degaussing coil			

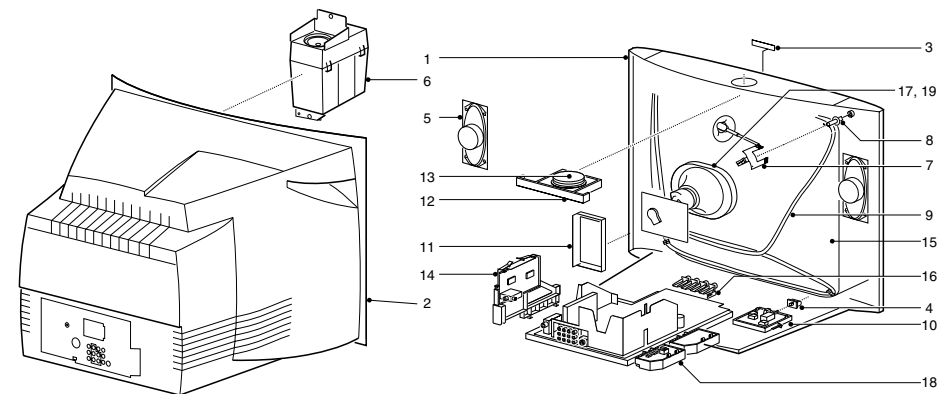
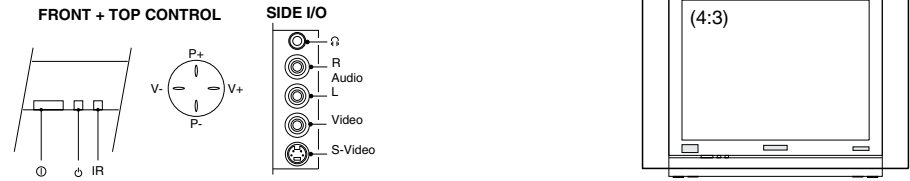
STYLING 296



STYLING 296.AI
061100

1a*	3104 300 12201	Wordmark 28PW8206	14be*	3104 304 22312	Service connector cover
1b*	4822 454 13455	Wordmark 28PW8506	14d*	3104 304 21641	Service connector cover
1c*	3104 300 12191	Wordmark 32PW8206	15a*	3104 304 22241	Rear cover 28PW8206
1d*	4822 454 13444	Wordmark 32PW8406	15b*	3104 304 21982	Rear cover 28PW8506
1e*	3104 307 11991	Wordmark 32PW8506	15c*	3104 304 22251	Rear cover 32PW8206
2ab*	not applicable	CRT insert 28"	15d*	3104 304 22781	Rear cover 32PW8406
2cde*	3104 308 74042	CRT insert 32"	15e*	3104 304 21972	Rear cover 32PW8506
3ab*	4822 505 11195	CRT screw 28"	16	3104 301 23962	Shielding SSB (bottom)
3cde*	4822 502 21359	CRT screw 32"	17	3104 301 23951	Shielding SSB (top)
4	4822 403 70906	Bracket fix degaussing coil	18	3104 304 21114	Bracket for LOT/SSB
5ab*	4822 157 11758	Degaussing coil 28"	19	2422 264 00386	Loudspeaker
5cde*	2422 549 44258	Degaussing coil 32"	20abce*	3104 304 19794	Bracket Top Control
6	3104 304 21853	Bracket mains unit	20d*	4822 466 93184	Bracket Top Control
7	3104 307 96221	Mains knob assy	21abce*	3104 304 20921	Keypad Top Control
8a*	3104 307 96311	Cabinet painted 28PW8206	21d*	3104 304 22121	Keypad Top Control
8b*	3104 307 96172	Cabinet painted 28PW8506	22	3104 304 22021	Bracket Side I/O
8c*	3104 307 96321	Cabinet painted 32PW8206	23ab*	4822 131 20704	CRT 28"
8d*	3104 307 96751	Cabinet painted 32PW8406	23cde*	4822 131 20705	CRT 32"
8e*	3104 307 96192	Cabinet painted 32PW8506		4822 321 11499	Mains cord
9	3104 304 21991	Light guide		4822 402 11183	Mains cord holder
10	3104 304 22012	Bottom plate	*a	28PW8206	
11	3104 304 22751	Bracket for Mains Harmonic (only for /xxR)	*b	28PW8506 / 70WA8416	
12	3104 304 22762	Cover for Mains Harmonic (only for /xxR)	*c	32PW8206	
13	3104 304 21293	Bracket for Large Signal Panel	*d	32PW8406 / 82WA8416	
14ac*	3104 304 22301	Service connector cover	*e	32PW8506	

STYLING 297

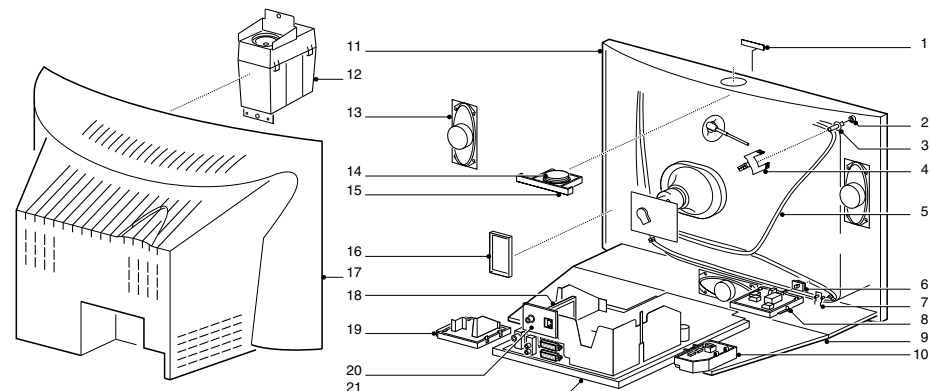
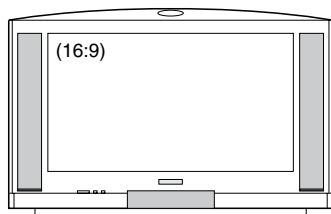
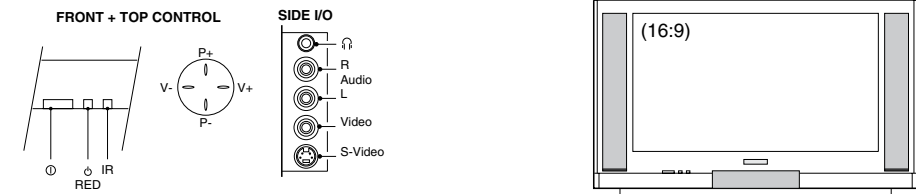


STYLING 297.AI
201200

1a*	3139 137 71101	Cabinet	14d*	3139 124 33571	DVD interface bracket
1b*	3139 137 90221	Cabinet	16bd*	3139 137 84471	Control knob assy
1c*	3139 137 74931	Cabinet (/57, /69 & /79 only)	17abcd*	3139 128 23811	Rotation coil
1c*	3139 137 71231	Cabinet (/56, /61, /71 & /97 only)	18c*	4822 402 11113	DAF bracket
1d*	3139 137 91951	Cabinet	19abd*	3139 124 37421	Rotation coil bracket (29" only)
2a*	3139 124 31431	Rear cover	0017	3139 240 00041	DVD badge
2b*	3139 124 31401	Rear cover	0018	3139 137 91461	DVD eject knob assy
2c*	3139 124 33731	Rear cover	0019	3139 137 88931	DVD door assy
2d*	3139 124 35611	Rear cover	0047	3139 128 72421	Antenna mixer (/61, /71 & /97 only)
3abd*	3141 050 00161	Wordmark PHILIPS	0049	3139 118 71853	Mains adapter socket (/61 only)
3c*	3141 050 00141	Wordmark PHILIPS	0072	3139 124 30411	Light guide
4ac*	3139 137 64701	Mains knob assy	0082	3122 224 04623	Mains cord relief
4bd*	3139 137 83951	Mains knob assy	0188	3122 224 04242	Heat-sink clamp bracket
5a*	2422 264 00379	Speaker 8Ω 10W	0189	3139 124 30531	Small signal board bracket
5b*	2422 264 00403	Speaker 8Ω 10W	0313	3139 124 17541	Spacer for EHT cable
5cd*	2422 264 00377	Speaker 8Ω 10W		1322 504 97401	Grease for EHT cap
6acd*	3139 128 75771	Subwoofer box		9322 142 09682	CRT A68QCP891X001 (29" not for /73 & /79)
7abd*	3139 124 31122	Degaussing coil bracket		9322 142 10682	CRT A68QCP891X005 (29" /73 & /79 only)
7c*	3139 124 32811	Degaussing coil bracket		9322 156 42682	CRT M79LQM185X02 (34" /69 only)
8abd*	3111 250 40031	CRT screw		9322 156 41682	CRT M79LQM185X01 (34" /57 only)
9abd*	3139 128 23781	Degaussing coil		9322 156 43682	CRT M79LQM187X01 (34" /79 only)
9c*	3139 128 23801	Degaussing coil (/57, /69 & /79 only)		9322 164 58682	CRT A80LTM350X02 (34" /56, /61 & /97 only)
10ac*	3139 124 30432	Front interface bracket		9322 164 59682	CRT A80LTM351X02 (34" /71 only)
10bd*	3139 124 33461	Front interface bracket			
11acd*	3139 124 36361	Side AV bracket (not for /79B)	*a	29PT6361	
11d*	3139 124 34671	Side AV bracket - black (/79B only)	*b	29PT6021	
11b*	3139 124 33611	Side AV bracket (dummy)	*c	34PT6361	
12ac*	3139 124 30381	Top control bracket	*d	29PT6961	
13ac*	3139 137 66921	Top control button assy			
14ac*	3139 124 31671	Double window bracket			

DVD module partslist, refer to service manual 3122 785 10840

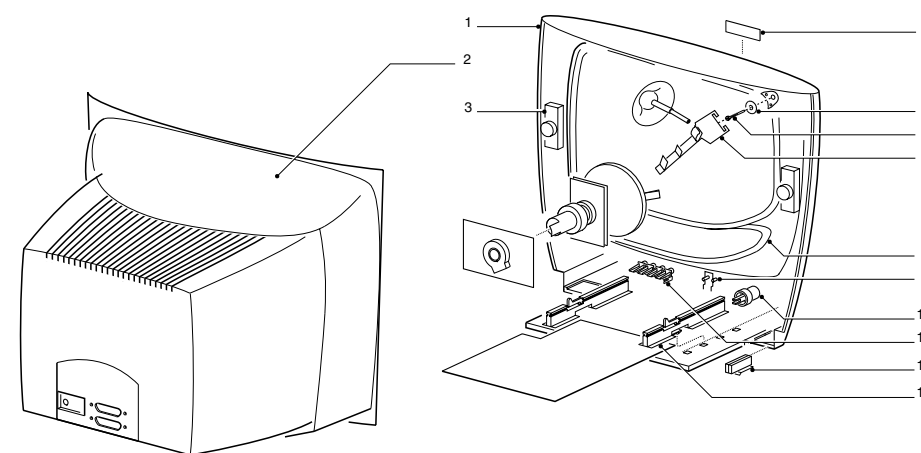
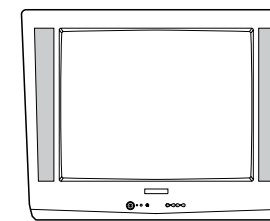
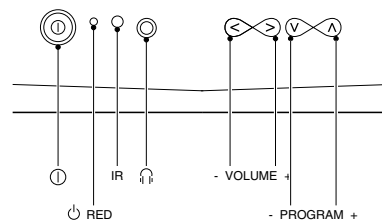
STYLING 298



STYLING 298 AI
071100

1	3111 250 00721	Wordmark 32" silver Philips	17	3111 257 56751	Rear cover 28"
1	3111 250 00731	Wordmark 28" silver Philips	17	3111 257 56761	Rear cover 32"
3	4822 502 14602	CRT fixing screw	18	3139 124 33361	SSB bracket
4	3104 304 14414	Corner coil bracket	19	3139 124 33151	Dolby prologic bracket
5	4822 157 11758	Degaussing coil 28"	20	3139 124 34031	Dolby interface back plate
5	2422 549 44564	Degaussing coil 32"	4822 402 11183	Mains cord holder	
5	4822 403 70906	Fix degaussing	2422 070 98089	Mains cord	
6	3139 124 32511	Mains knob	4822 321 11143	Mains cord UK	
7	3139 124 31631	Light guide	4822 157 11825	Canceller coil 32"	
8	3139 124 32521	Front interface	4822 131 11345	Picture Tube 28" W66ECK001X14	
10	3139 124 35291	Mains harmonic bracket (32" only)	4822 131 11215	Picture Tube 32" W76ESF031X14	
11	3111 257 56621	Cabinet 32"			
11a*	3111 257 56611	Cabinet 28"	*a	28PW6315/01	
11b*	3111 257 56751	Cabinet 28"	*b	28PW6315/05	
			*c	32PW6315/01, /05	
12	3139 178 89221	Subwoofer			
13	2422 264 00377	Loudspeaker 8Ω 10W			
14	3139 137 66921	Top control button			
15	3139 124 33941	Top control bracket			
16	3139 124 31651	Side I/O bracket			

STYLING 299

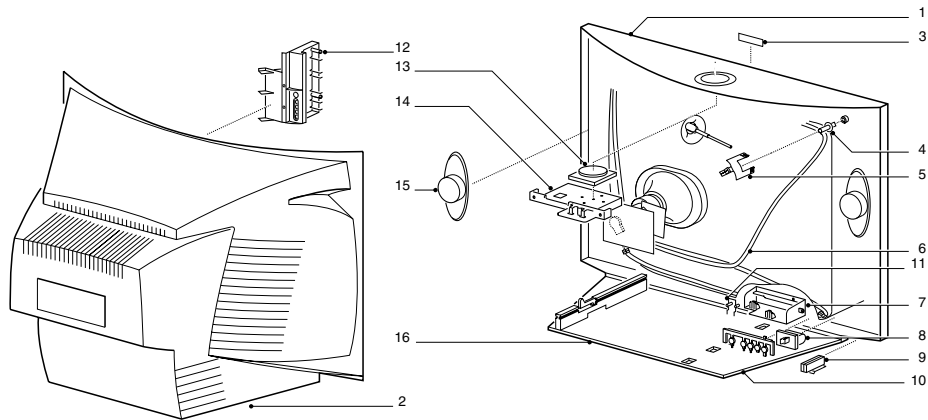
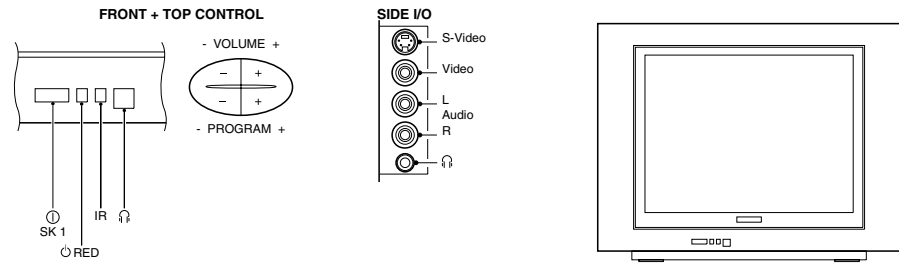


STYLING 299 AI
061100

1	3111 257 57201	Cabinet 28"
2	3139 137 88991	Rear cover 28"
3	4822 240 10368	Loudspeaker 16Ω 5W
4	4822 459 11155	Wordmark Philips
6	4822 505 11195	CRT fixing screw
7	4822 157 11762	Degaussing coil bracket 28"
8	4822 157 11762	Degaussing coil 28"
9	4822 380 10251	Light guide
10	3139 124 30581	Mains knob
11	4822 410 11765	Control knob
12	4822 404 31363	Mains cord relief
13	3139 124 30871	Chassis guide (HB)
	3139 124 30881	Chassis guide (VO)
	4822 321 11493	Mains cord UK
	4822 321 11499	Mains cord
	4822 403 70906	Corner coil bracket
	4822 131 20559	Picture tube 28" A66EAK552X11

28PT5505/01

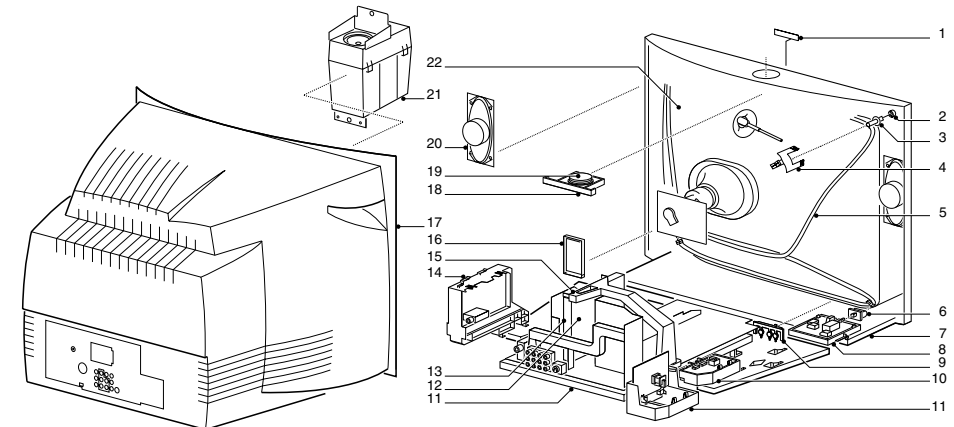
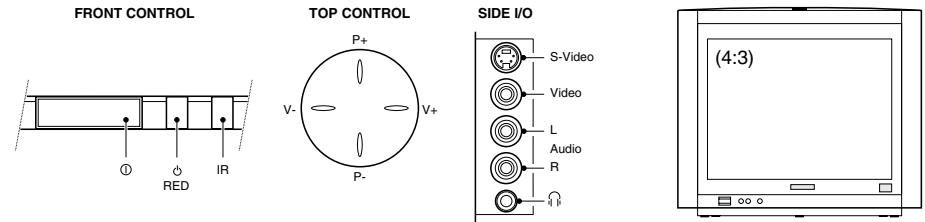
STYLING 300



STYLING 300.AI
061100

1	3139 137 87501	Cabinet 21"	16	3139 124 30811	Chassis guide (VO)
1ac*	3139 137 90131	Cabinet 21"		4822 532 61201	EHT Spacer
1bd*	3139 137 88111	Cabinet 21"		3139 128 75211	Mains cord
2	3139 124 36701	Rear cover (9AV+SVHS)	bd*	3139 128 75291	Mains cord
3	3141 050 00081	Wordmark	f*	3139 128 75221	Mains cord
4	4822 505 11195	CRT fixing screw	i*	3139 128 75230	Mains cord
5	4822 492 71627	Coil clamp	ag*	4822 532 70308	Multipole unit
6	4822 157 11444	Degaussing coil 21"		9322 153 82682	Picture tube A51LSK955X01
6	4822 492 71627	Degaussing coil 21"			
6i*	4822 157 11446	Degaussing coil 21"	*a	21PT3952/67R	
7	Not applicable		*b	21PT3952/71R	
8	3139 137 76521	Mains knob	*c	21PT3952/74R	
9b*	4822 404 31363	Mains cord relief	*d	21PT3952/97R	
9d*	4822 401 11764	Mains cord relief	*e	21PT3962/56A	
10	3139 124 33341	VO plate	*f	21PT3962/57R	
			*g	21PT3962/68R	
			*h	21PT3962/69R	
			*i	21PT3962/79R	
11	3139 124 32221	Light guide			
12	3139 124 36791	Side AV bracket			
13	3139 137 66921	Top control button			
14	3139 124 30381	Top control bracket			
15	2422 264 00403	Loudspeaker 8Ω 10W			

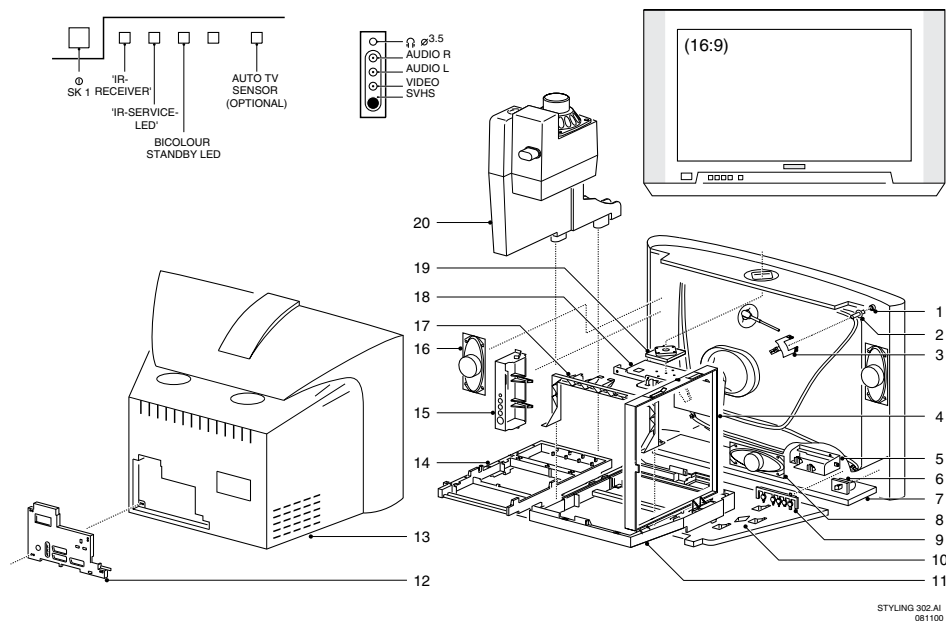
STYLING 301



STYLING 301.AI
061100

1	4822 454 13455	Wordmark
2	Not applicable	CRT insert
3	4822 505 11195	CRT screw
4	3122 124 31122	Bracket fix degaussing coil
5	4822 157 11708	Degaussing coil
6	3104 307 96741	Mains knob assy
7	3104 328 08451	Cabinet assy
8	3139 124 30431	Bracket mains unit
9	3139 124 33211	Bracket for Mains Harmonic (only for /xxR)
10	3104 304 21652	Bracket DAF/DC-shift panel
11	3104 304 22832	Bracket for Large Signal Panel
12	3104 301 24011	Shielding SSB (bottom)
13	3104 301 24002	Shielding SSB (top)
14	Not applicable	Bracket for PIP/DW panel
15	3104 304 21114	Bracket for LOT/SSB
16	3139 124 36361	Bracket Side I/O
17	3104 328 12421	Rear cover assy
18	3139 178 64271	Top Control assy
19	3104 307 97181	Top Control keypad assy
20	3139 128 76081	Loudspeaker
21	9099 291 10017	Subwoofer assy
22	9322 160 14682	CRT 29"
	3139 124 30411	Light guide
	2422 070 98131	Mains cord
	3122 224 04623	Mains cord holder
	29PT8319	

STYLING 302



STYLING 302.AJ
081100

1	4822 404 31294	Insert 32" VP19000	17	3104 304 20781	LOT support bracket
2	4822 505 11195	Picture tube screw 28"	18	4822 464 10475	Bracket top control
2	4822 502 21359	Picture tube screw 32"	19ab*	3104 304 22411	Keypad
3	4822 403 70906	Bracket fix deg. coil (4x) 28"	19c*	3104 304 22401	Keypad
3	4822 404 31289	Bracket fix deg. coil (2x) 32"	20	4822 445 10834	Subwoofer box
4	Not present		a*	3104 300 12141	Philips emblem
5	4822 402 11176	Bracket mains unit	b*	3104 300 12131	Philips emblem
6ab*	3104 307 96661	Mains knob	c*	3104 300 12151	Philips emblem
6c*	3104 307 96651	Mains knob	a*	3104 300 12081	Matchline emblem
7a*	3104 328 09182	Cabinet	bc*	3104 300 12121	Matchline emblem
7b*	3104 328 09132	Cabinet		3104 304 19644	Module support bracket on SSP
7c*	3104 328 09142	Cabinet		3104 304 20301	Bracket for DAF panel
8	2422 257 20547	Loudspeaker centre		2322 460 91643	DAF potmeter
9	3104 304 20801	Light guide		2422 549 44621	Degaussing coil 28"
10	4822 466 12141	Bottom plate		2422 549 44244	Degaussing coil 32"
11	4822 402 11174	Frame for LSP		3128 138 60581	Rotation coil
12ab*	3104 3074 97321	Coverplate	a*	9301 828 00306	Picture tube W66ERF031X44
12c*	4822 466 12209	Coverplate	bc*	9301 827 70301	Picture tube W76ERF031X44
13a*	3104 307 96571	Rear cover		3104 207 09561	Remote control RC2031/01B
13b*	3104 307 96611	Rear cover		4622 009 50772	Mains cord
13c*	3104 307 96601	Rear cover		4622 009 50782	Mains cord -/05
14	3104 304 22851	Frame for SSP	*a	28PW9536	
15ab*	3104 304 22441	Bracket side IO	*b	32PW9536	
15c*	3104 304 20991	Bracket side IO	*c	32PW9546	
16	3104 130 01231	Loudspeaker combi			